

### SPECIFICATIONS:

**MODEL NUMBER:** 8000-543-210

**PUMP DESIGN:** Positive Displacement 3 Chamber Diaphragm Pump

**CAM:** 3.0 Degree

**MOTOR:** Permanent Magnet, P/N 11-111-00

**VOLTAGE:** 12 VDC Nominal

**PRESSURE SWITCH:** None

**LIQUID TEMPERATURE:** 170 Degrees Fahrenheit (77 Degrees Centigrade) Max.

**PRIME:** Self-Priming Up To 13 Ft. Vertical,  
Max. Inlet Pressure 30 PSI (2.1 Bar)

**PORTS:** 3/8"-18 NPT Female

**MATERIAL OF CONSTRUCTION:**

**PLASTICS-** Polypropylene

**VALVES-** Viton

**DIAPHRAGM-** Santoprene

**FASTENERS-** Zinc Plated Steel

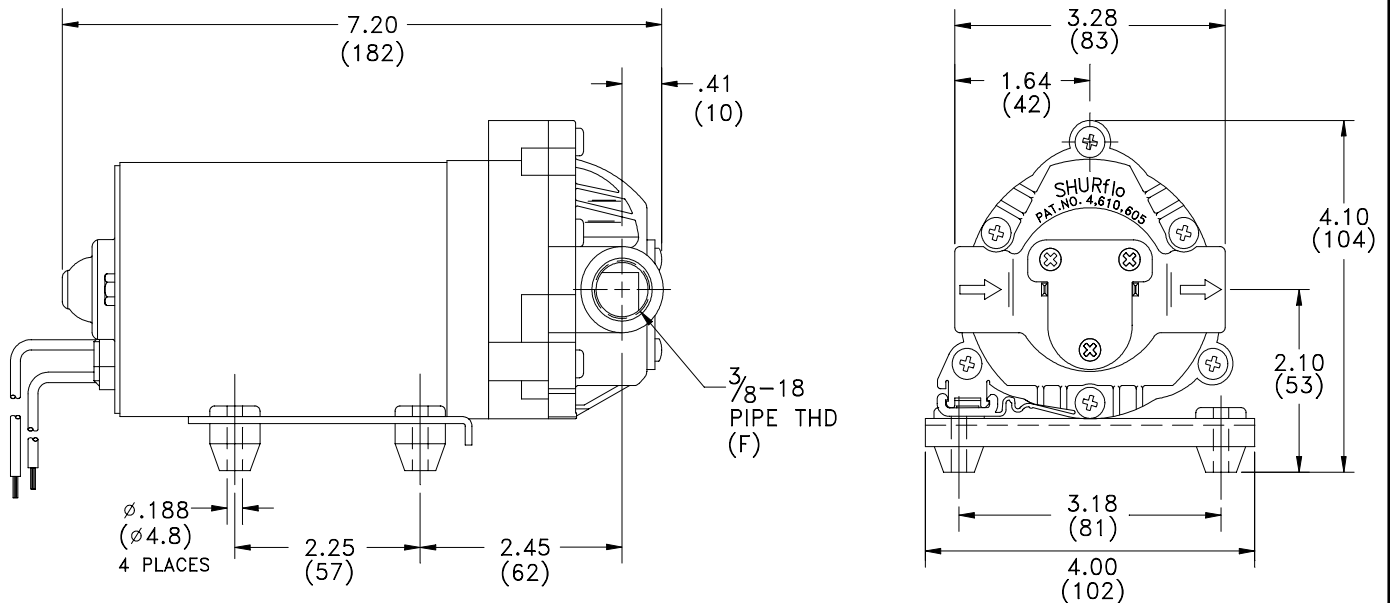
**NET WEIGHT:** 4.0 Lbs (1.8 Kg)

**DUTY CYCLE:** Continuous (See Temperature Rise Chart)

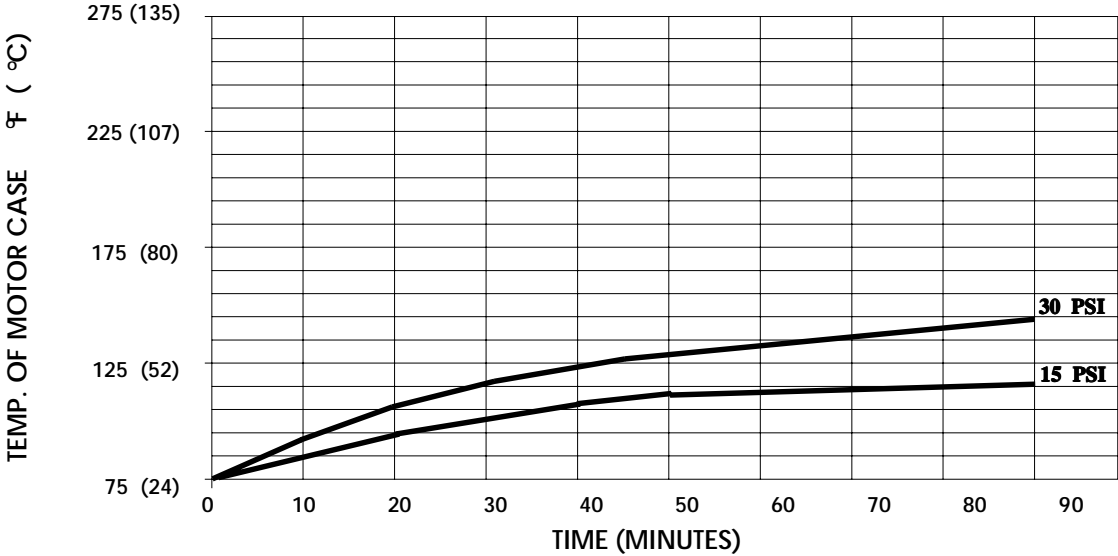
**TYPICAL APPLICATIONS:** Agricultural Spraying

**BYPASS:** 35 PSI

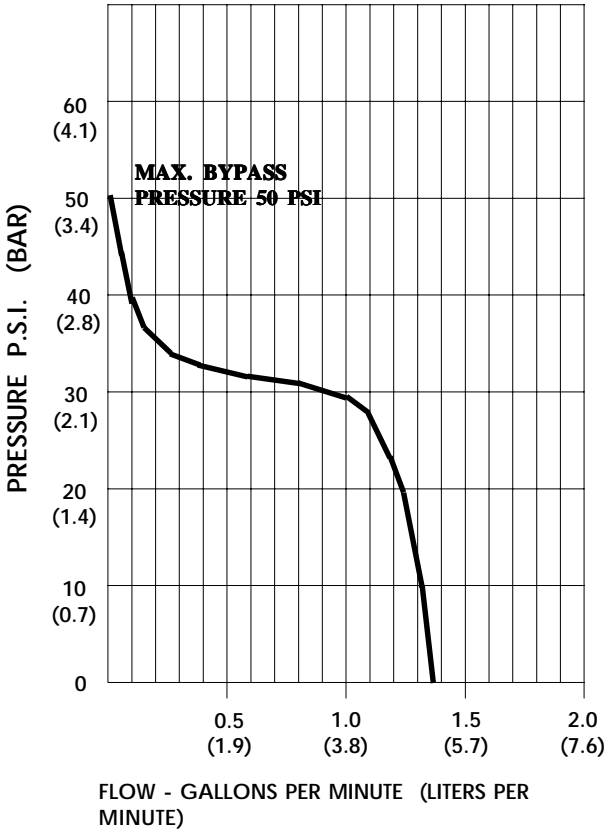
### DIMENSIONS:



**TEMPERATURE RISE**



**TYPICAL PERFORMANCE**



PRESSURE (PSI)	FLOW (GPM/LIT)	RPM MIN/MAX	CURRENT (AMPS)	VOLTAGE (VOLTS)
OPEN	<b>1.34/5.0</b>	<b>2420/2425</b>	<b>3.3</b>	<b>12 VDC</b>
10	<b>1.28/4.8</b>	<b>2380/2395</b>	<b>3.8</b>	"
20	<b>1.19/4.5</b>	<b>2335/2345</b>	<b>4.4</b>	"
30	<b>1.07/4.0</b>	<b>2270/2290</b>	<b>5.0</b>	"
40	<b>0.05/.19</b>	<b>2250/2260</b>	<b>5.5</b>	"

*-SPECIFICATIONS SUBJECT TO CHANGE WITHOUT NOTICE.  
 -ALL DATA BASED ON TESTING WITH WATER AT AMBIENT TEMPERATURE.*