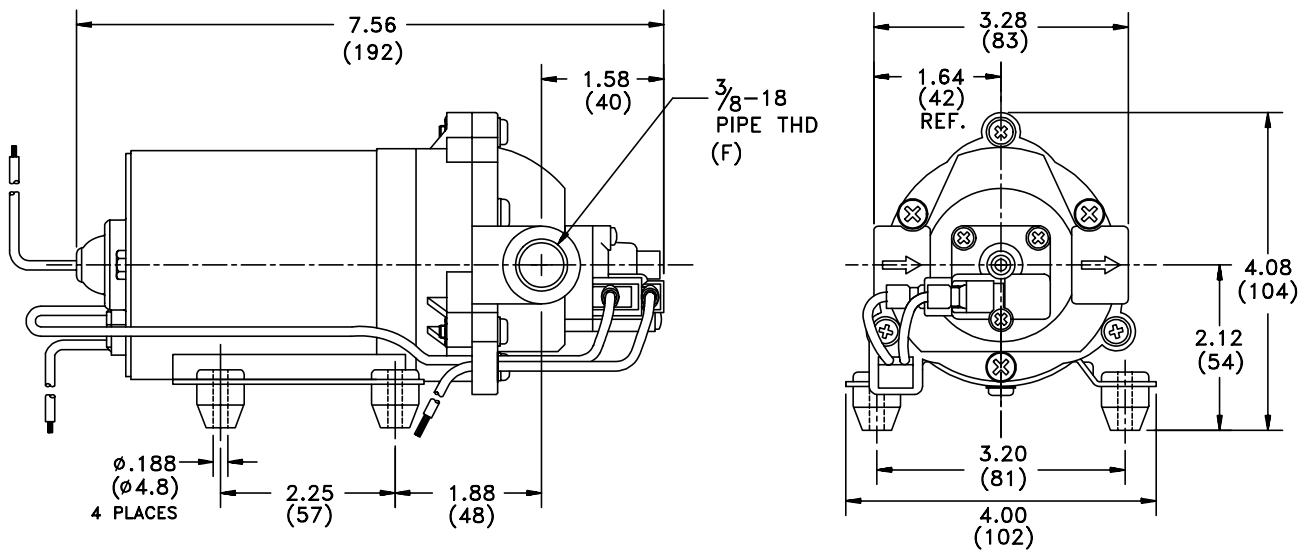


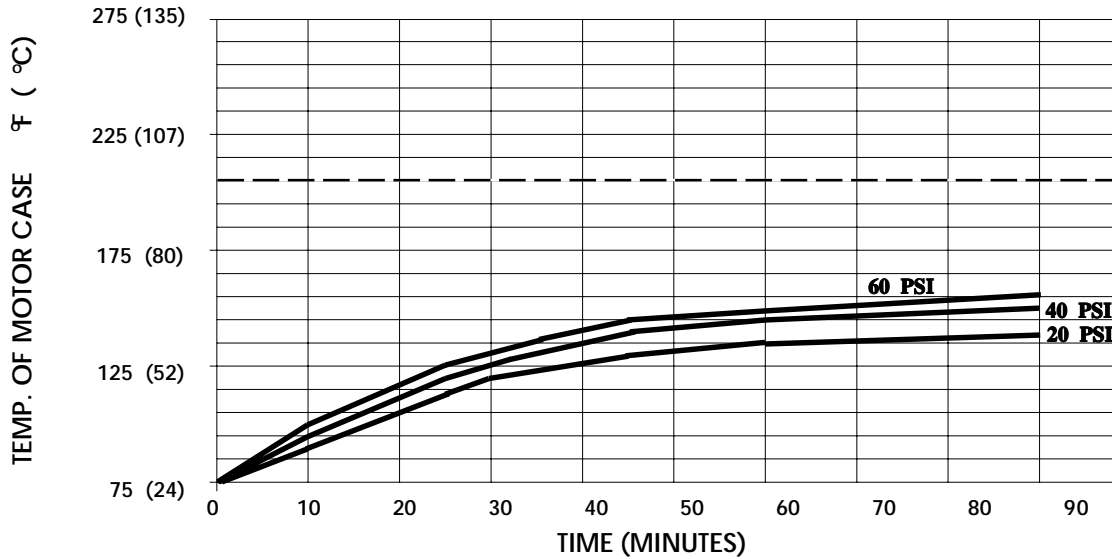
**SPECIFICATIONS:**

- MODEL NUMBER:** 8000-033-236
- PUMP DESIGN:** Positive Displacement 3 Chamber Diaphragm Pump
- CHECK VALVE:** (2-Way Op.) Prevents Reverse Flow & 6 Ft. Head Forward Flow
- CAM:** 2.5 Degree
- MOTOR:** Permanent Magnet, P/N 11-150-00, Thermally Protected
- VOLTAGE:** 115 VAC Nominal
- PRESSURE SWITCH:** Adjustable Shut-Off (Range 40-60 PSI)  
 Factory Set @ 60 PSI, Turn On 45 PSI ± 5 PSI
- LIQUID TEMPERATURE:** 170 Degrees Fahrenheit (77 Degrees Centigrade) Max.
- PRIME:** Self-Priming Up To 8.0 Ft. Vertical,  
 Max. Inlet Pressure 30 PSI (2.1 Bar)
- PORTS:** 3/8"-18 NPT Female
- MATERIAL OF CONSTRUCTION:**
  - PLASTICS-** Polypropylene
  - VALVES-** Viton
  - DIAPHRAGM-** Viton
  - FASTENERS-** Zinc Plated Steel
- NET WEIGHT:** 3.9 Lbs (1.77 Kg)
- DUTY CYCLE:** Intermittent (See Temperature Rise Chart)
- APPROVALS:** UL/CSA Recognized Component
- TYPICAL APPLICATIONS:** Agricultural Spraying

**DIMENSIONS:**



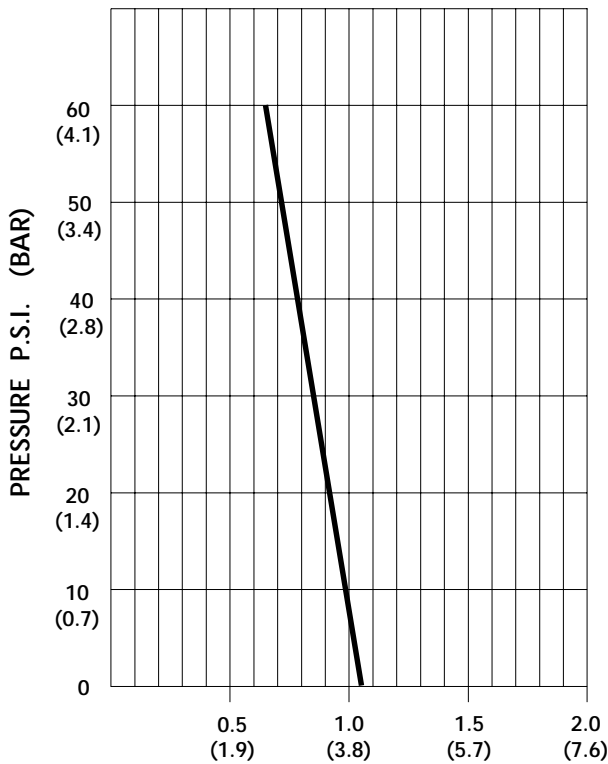
### TEMPERATURE RISE



THIS GRAPH IS FOR USE AS A DESIGN GUIDE. IT IS BASED ON RUNNING CONTINUOUSLY WITH AN AMBIENT TEMPERATURE OF 70°F IN STILL AIR. THE THERMAL BREAKER WILL OPEN WHEN THE CASE TEMPERATURE REACHES 205° F.

[- - - - - TRIP POINT OF THERMAL PROTECTOR]

### TYPICAL PERFORMANCE



PRESSURE (PSI)	FLOW (GPM/LIT)	RPM MIN/MAX	CURRENT (AMPS)	VOLTAGE (VOLTS)
OPEN	<b>1.05/4.0</b>	<b>2250/2275</b>	<b>0.31</b>	<b>115 VAC</b>
10	<b>0.95/3.6</b>	<b>2155/2220</b>	<b>0.35</b>	"
20	<b>0.89/3.4</b>	<b>2080/2130</b>	<b>0.40</b>	"
30	<b>0.83/3.1</b>	<b>1990/2025</b>	<b>0.44</b>	"
40	<b>0.76/2.9</b>	<b>1915/1955</b>	<b>0.48</b>	"
50	<b>0.71/2.7</b>	<b>1830/1880</b>	<b>0.51</b>	"
60	<b>0.64/2.4</b>	<b>1765/1800</b>	<b>0.54</b>	"

FLOW - GALLONS PER MINUTE (LITERS PER MINUTE)

*-SPECIFICATIONS SUBJECT TO CHANGE WITHOUT NOTICE.*

*-ALL DATA BASED ON TESTING WITH WATER.*