

# ~~Extreme~~™ Series



## MARINE PRODUCT DATA SHEET

OEM: 4901-0201  
AFTERMARKET: 4901-0211

The Smart Sensor 4.0 is designed specifically for cruisers and midsize yachts. Delivering 4.0 GPM and pressure up to 50 PSI, this micro-controller based variable speed pump precisely monitors your system's water pressure and adjusts the motor speed, eliminating the need for an accumulator tank.

### TYPICAL APPLICATIONS

Multi-fixture marine fresh water installations. Other uses may include 12V DC pressurized water systems in cabins. This pump may be used for general water transfer. For other applications, contact SHURflo.

### PUMP

Type: 4 Chamber Diaphragm  
Ports: 1/2"-14 NPSM-Male.  
Liquid: 130 °F [54 °C] Max  
Prime: 6 feet [1.82 M]  
Inlet PSI: 30 PSI [2.1 Bar] Max  
Run Dry: Yes

### ELECTRICAL

Motor: 12VDC Permanent Magnet, Intermittent Duty  
Protection: Thermal Overload, Automatic Restart  
Leads: 14 AWG, 16" [40 cm] Red +, 13" [33 cm] Black -  
Fuse: 15 Amp Recommended  
Control: Shut-Off 50 PSI [3.4 Bar] ± 5 PSI [0.4 Bar]  
Restart 30 PSI [2.0 Bar] ± 5 PSI [0.4 Bar]

### MATERIALS

Housing: Nylon  
Valves: EPDM  
Diaphragm: Santoprene  
Hardware: Stainless Steel

### APPROVALS

Ignition Protected, CE, ISO 8846

### WARRANTY

3 Year Limited Warranty  
See SB-1041 & SB-1050 For Full Warranty Details

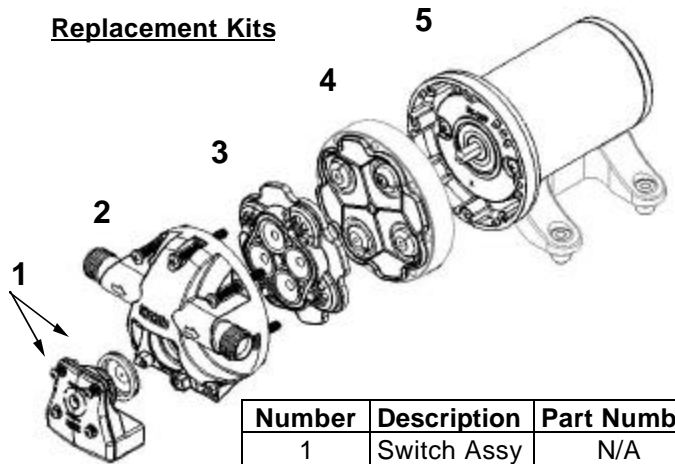
### SHIPPING

Net Weight (Boxed): Lb [Kg] each  
Carton Weight: 6 each, 42 Lb [ 19 Kg]  
Carton Size: 24"L x18 "W x6 "H  
[61 cm x 46 cm x 15 cm]

### RELATED DOCUMENTS

Catalog: MS-030-140  
Installation Manual: 911-713  
Maintenance: 911-713  
Applications Spec Guide: MS-020-005  
Warranty: SB-1050

### Replacement Kits

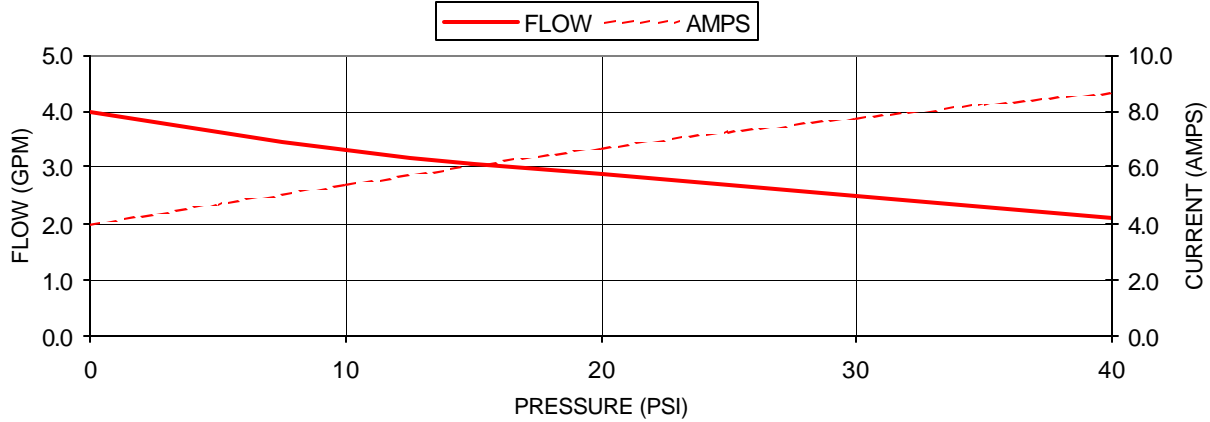


Number	Description	Part Number
1	Switch Assy	N/A
2	Upper Hsg	N/A
3	Valve Assy	94-030-11
4	Drive Assy	94-030-12
5	Motor	N/A

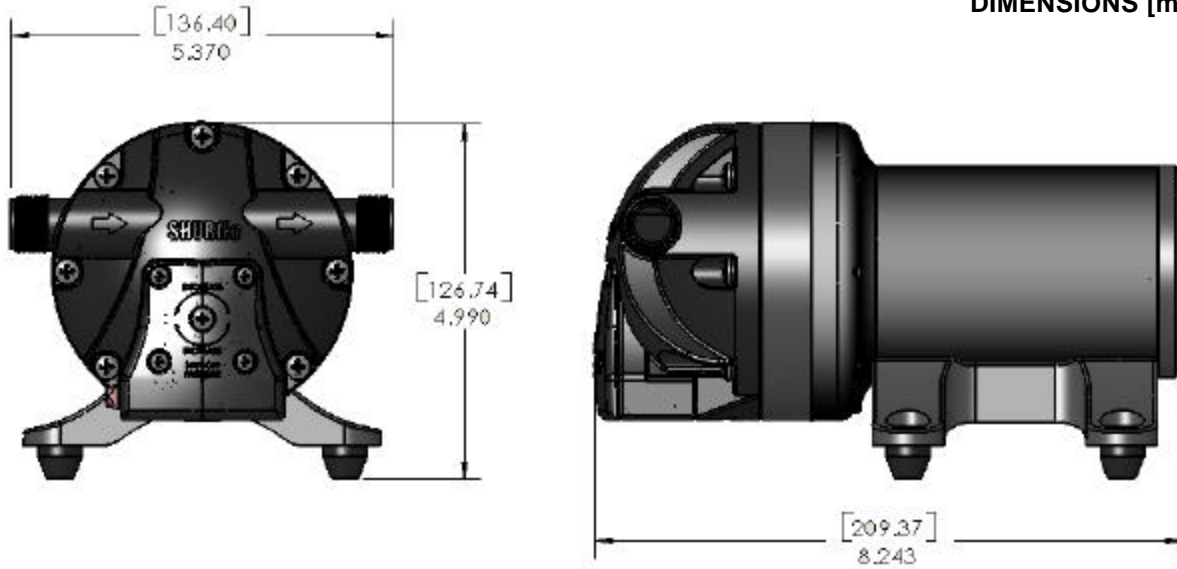


**PERFORMANCE @ 13.6V DC**

PRESSURE		FLOW		CURRENT
BAR	PSI	GPM	LPM	AMPS
0.0	0	4.0	15.1	4.0
0.7	10	3.3	12.5	5.4
1.4	20	2.9	10.1	6.7
2.1	30	2.5	9.4	7.8
2.8	40	2.1	7.9	8.7



**DIMENSIONS [mm]**



\*ISO Registered Facility *SHURflo reserves the right to update specifications, prices, or make substitutions.*

**SHURflo \***  
 5900A Katella Ave.  
 Cypress, Ca. 90630  
 (800) 854-3218 (562) 795-5200  
 FAX (562) 795-7554  
 Shipping/UPS: 5900C Katella Ave.  
 Cypress, Ca. 90630

**SHURflo East**  
 52748 Park Six Court  
 Elkhart, IN 46514-5427  
 (800) 762-809 (574) 262-0478  
 FAX (574) 264-2169  
 Http://www.shurflo.com  
 ©2001

**SHURflo Ltd. \***  
 Unit 5 Sterling Park  
 Gatwick Road, Crawley  
 West Sussex, RH10 2QT  
 United Kingdom  
 +44 1293 424000  
 FAX +44 1293 421880

