

## SPECIFICATIONS:

**MODEL NUMBER:** 402-140-033

**PUMP DESIGN:** Positive Displacement

**MOTOR:** Permanent Magnet, P/N 11-144-07

**VOLTAGE:** 12VDC Nominal

**PRESSURE SWITCH:** Factory Set @ 30 PSI (2.1 Bar)

**LIQUID TEMPERATURE:** 130 Degrees Fahrenheit (54 Degrees Centigrade) Max.

**PRIME:** Self-Priming Up To 4 Ft. Vertical,  
Max. Inlet Pressure 30 PSI (2.1 Bar)

**PORTS:** 3/8" Barb

**MATERIAL OF CONSTRUCTION:**

**PLASTICS-** Nylon

**ELASTOMERS-** Santoprene Diaphragm/Viton Valves

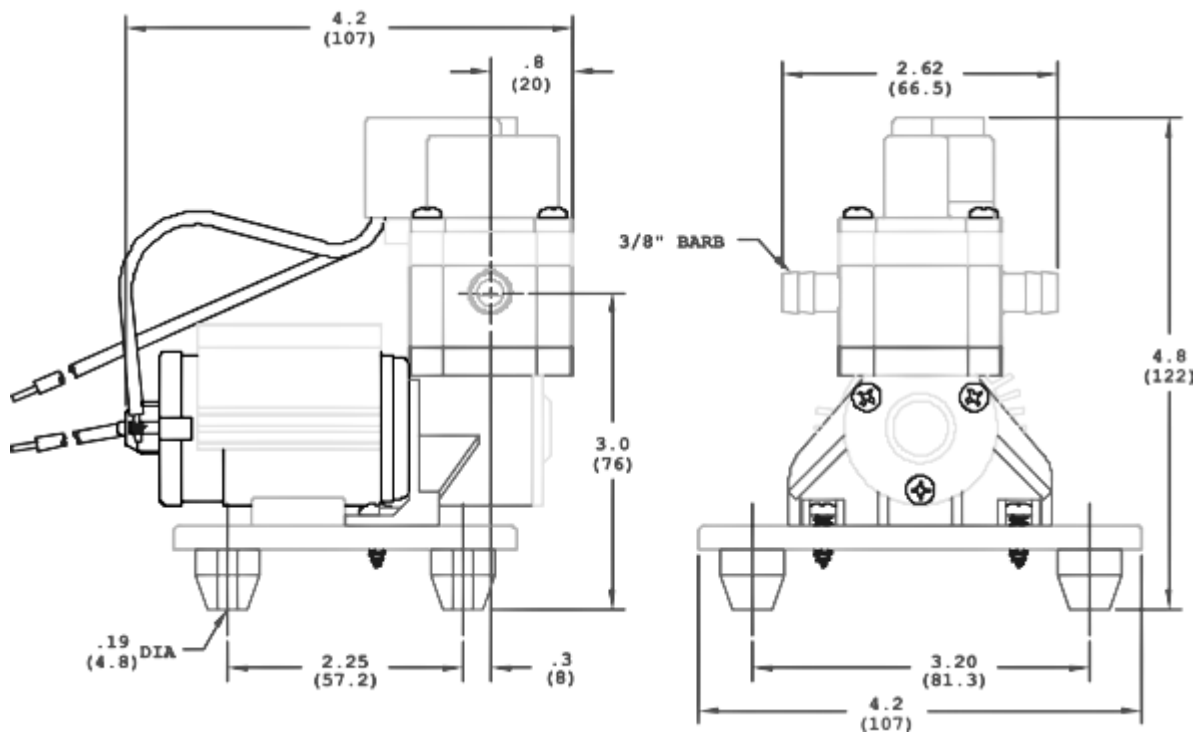
**FASTENERS-** Zinc Plated Steel

**NET WEIGHT:** 0.9 Lbs (0.41 Kg)

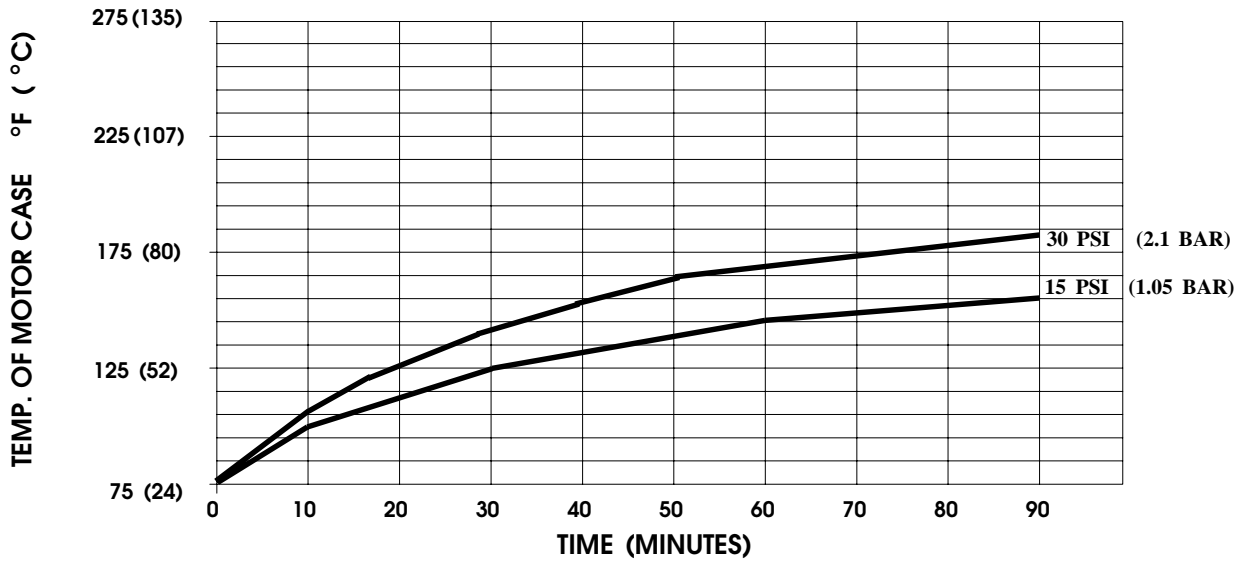
**DUTY CYCLE:** Intermittent (See Temperature Rise Chart)

**TYPICAL APPLICATIONS:** Potable Water

## DIMENSIONS:

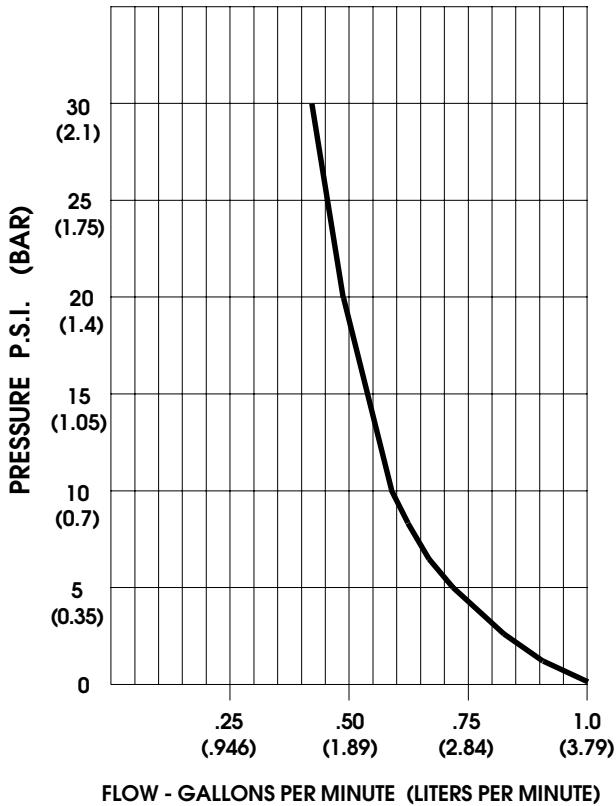


**TEMPERATURE RISE**



THIS GRAPH IS FOR USE AS A DESIGN GUIDE. IT IS BASED ON RUNNING CONTINUOUSLY WITH AN AMBIENT TEMPERATURE OF 75° F (24° C) IN STILL AIR.

**TYPICAL PERFORMANCE**



PRESSURE (PSI/BAR)	FLOW (GPM/LIT)	RPM MIN/MAX	CURRENT (AMPS)	VOLTAGE (VOLTS)
OPEN	1.00/3.8	4415/4460	1.0	12VDC
2/0.14	0.90/3.4	4315/4350	1.2	"
10/0.70	0.58/2.2	4195/4255	1.5	"
20/1.4	0.48/1.8	4065/4110	1.7	"
30/2.1	0.43/1.6	3995/4038	1.9	"

*-SPECIFICATIONS SUBJECT TO CHANGE WITHOUT NOTICE.*

*-ALL DATA BASED ON TESTING WITH WATER.*