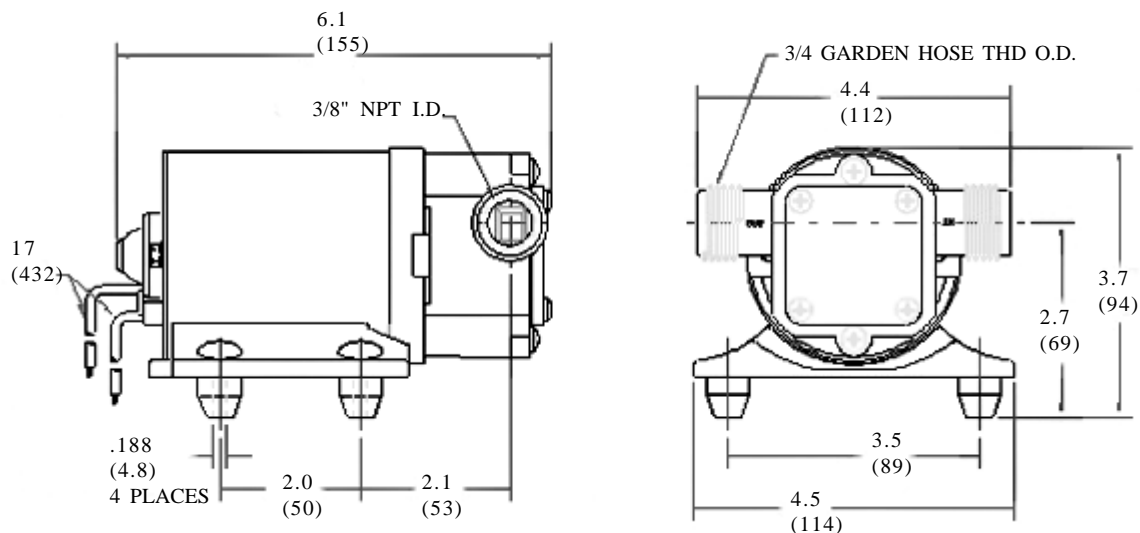


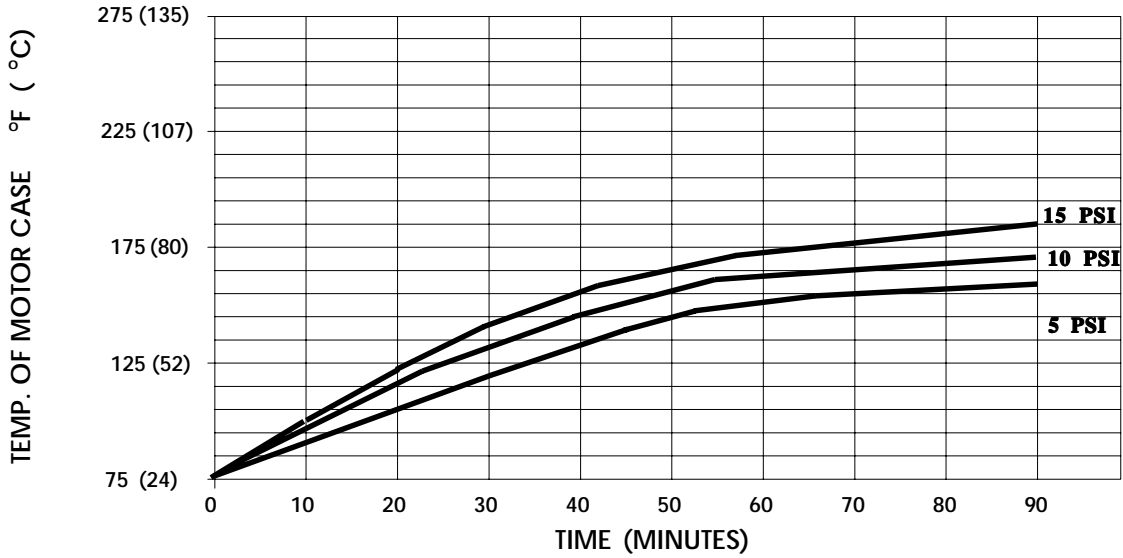
SPECIFICATIONS:

MODEL NUMBER: 3000-050
PUMP DESIGN: Flexible Impeller Pump
VOLTAGE: 12 VDC Nominal
MOTOR: Permanent Magnet, Thermally Protected
FUSE: Supply Pump With 15 Amps Time Delay Fuse
OPERATING PRESSURE: 15 PSI (1.0 Bars) Max.
LIQUID TEMPERATURE: 40 ° F to 185 ° F Max. [4 °C to 85 °C]
PRIMING: Self-Priming Up to 7.5 FT [2.3 M] Vertical Prime,
25 FT [7.6 M] Horizontal Prime (With Water)
PORTS: 3/4" Garden Hose Thread (O.D.), 3/8" NPT (I.D.)
MATERIAL OF CONSTRUCTION:
 PLASTICS- Glass Filled Polyester
 IMPELLER- Buna-n
 LIP SEAL- Buna-n
 FASTENERS- Stainless Steel
NET WEIGHT: 3.3 Lbs (1.5 Kg)
DUTY CYCLE: Intermittent (See Temperature Rise Chart)
AGENCY CERTIFICATION: UL, C-UL Marine Listing
TYPICAL APPLICATIONS: General Purpose Transfer Pump

DIMENSIONS: inches (millimeters)

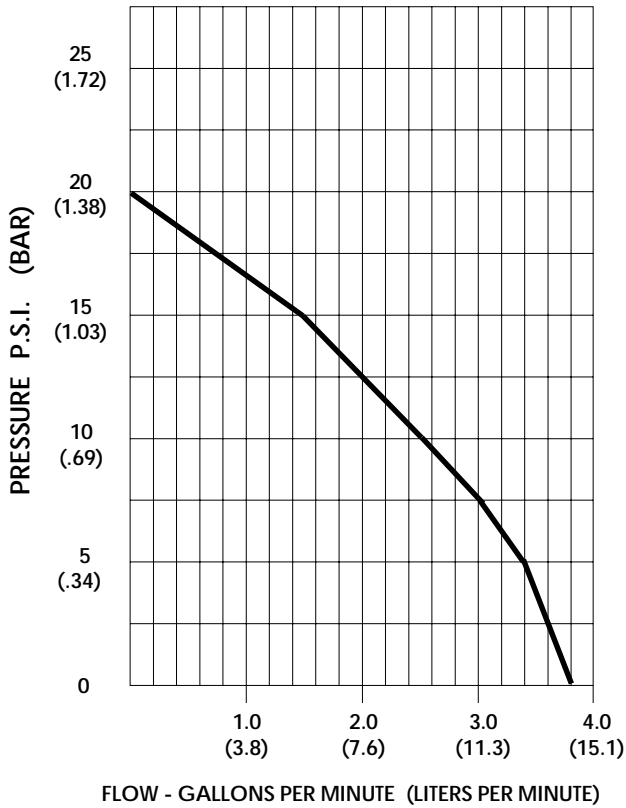


TEMPERATURE RISE



THIS GRAPH IS FOR USE AS A DESIGN GUIDE. IT IS BASED ON RUNNING CONTINUOUSLY WITH AN AMBIENT TEMPERATURE OF 70° F IN STILL AIR.

TYPICAL PERFORMANCE



PRESSURE (PSI/BAR)	FLOW (GPM/LIT)	CURRENT (AMPS)	VOLTAGE (VOLTS)
OPEN	3.8/14.2	6.5	12 VDC
5/3.4	3.4/12.9	7.1	"
10/6.9	2.5/9.5	7.4	"
15/1.03	1.5/5.7	8.0	"
20/1.38	0	9.1	"

*-SPECIFICATIONS SUBJECT TO CHANGE WITHOUT NOTICE.
-ALL DATA BASED ON TESTING WITH WATER.*