

# MARINE PRODUCT DATA SHEET

OEM  
AFTERMARKET

2095-232-834



## The Pro Blaster



### TYPICAL APPLICATIONS

Multi-fixture marine potable water installations. Other uses may include 12 VDC pressurized water systems in cabins. This pump may be used for general water transfer. For other applications, contact SHURflo.

### PUMP

Type: 3 Chamber Diaphragm  
Ports: 1/2"-14 NPSM-Male  
Liquid: 130 °F [54 °C] Max  
Prime: 6 feet [1.82 M]  
Inlet PSI: 30 PSI [2.1 Bar] Max  
Run Dry: Yes

### ELECTRICAL

Motor: 12VDC Permanent Magnet, Intermittent Duty  
Protection: Thermal Overload, Automatic Restart  
Leads: 16 AWG, 16" [40 cm] Red +, 13" [33 cm] Black -  
Fuse: 10 Amp Recommended  
Control: Adjustable Switch with Check Valve Shut-Off 45 PSI [3.1 Bar] ± 5 PSI [0.4 Bar]  
Restart 25 PSI [1.8 Bar] ± 5 PSI [0.4 Bar]

### MATERIALS

Housing: Polypropylene  
Valves: EDPM  
Diaphragm: Santoprene  
Hardware: Stainless Steel

### APPROVALS

CE, Ignition Protected, ISO 8846

### WARRANTY

1 Year Limited Warranty  
See SB-1050 For Full Warranty Details

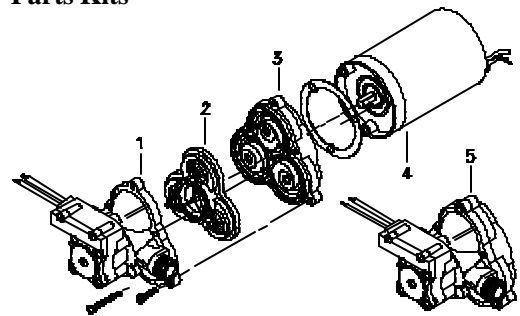
### SHIPPING

Net Weight (Boxed): 5.6 Lb [2.5Kg] each  
Carton Weight: 6 each, 34 Lb [15 Kg]  
Carton Size: 24"L x 18"W x 6"H [61cm x 46cm x 15cm]

### RELATED DOCUMENTS

Catalog: MS-030-084  
Installation Manual: 911-563  
Maintenance: 911-563  
Applications Spec Guide: MS-020-005  
Warranty: SB-1050

### Parts Kits



Number	Component	Parts Kit
1	Housing/Switch	94-231-10
2	Valve Assembly	94-232-06
3	Drive Assembly	94-238-03
4	Motor	11-187-06
5	Pump Head	94-236-14
Not Shown	Check Valve	94-237-00



# MARINE PRODUCT DATA SHEET

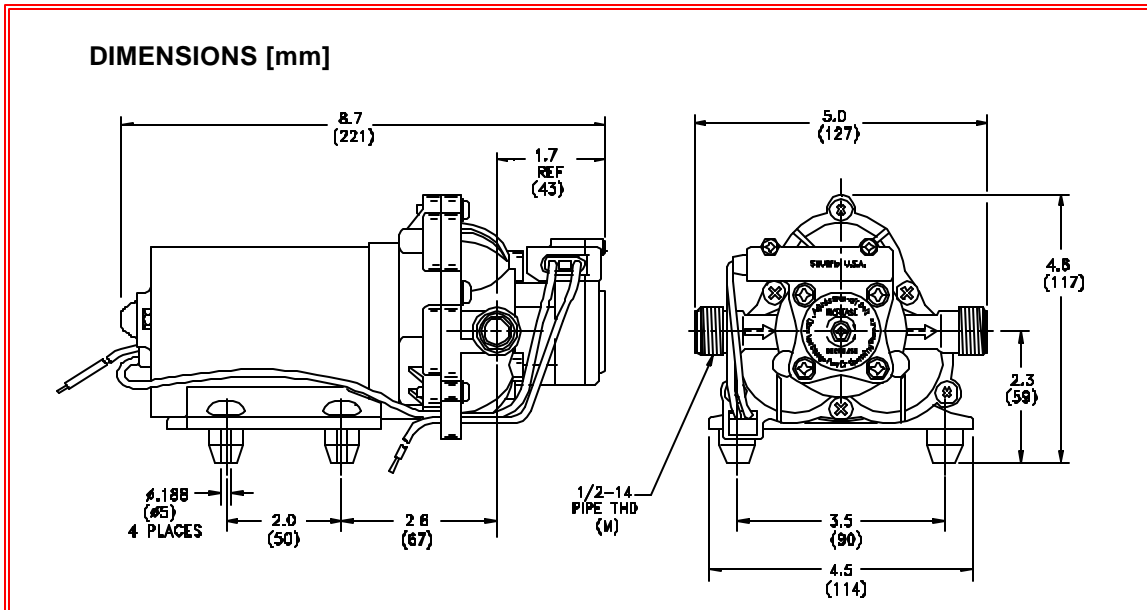
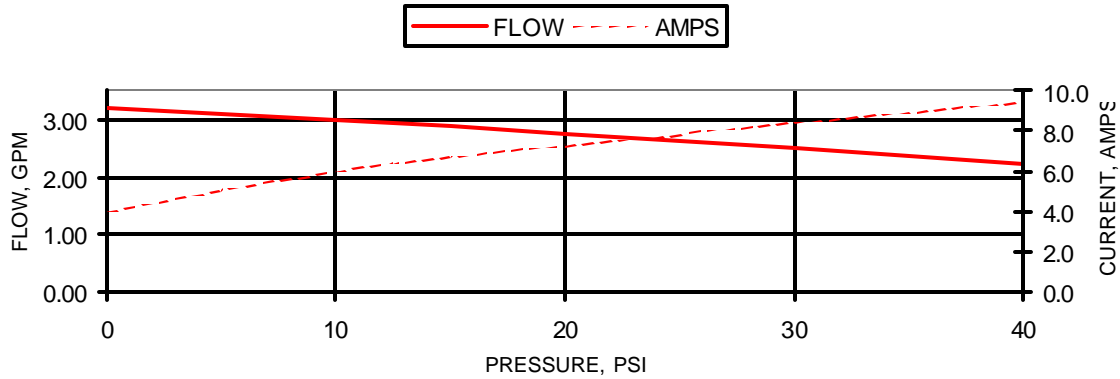
OEM  
AFTERMARKET

2095-232-834



## TYPICAL PERFORMANCE @ 12V DC

PRESSURE		FLOW		CURRENT
BAR	PSI	GPM	LPM	AMPS
0.0	0	3.20	12.1	4.00
0.7	10	3.00	11.3	6.00
1.4	20	2.75	10.4	7.30
2.1	30	2.50	9.5	8.40
2.8	40	2.25	8.5	9.45



\*ISO Registered Facility

SHURflo reserves the right to update specifications, prices, or make substitutions.

SHURflo \*  
5900A Katella Ave.  
Cypress, Ca. 90630  
(800) 854-3218 (562) 795-5200  
FAX (562) 795-7554  
Shipping/UPS: 5900C Katella Ave.  
Cypress, Ca. 90630

SHURflo East  
52748 Park Six Court  
Elkhart, IN 46514-5427  
(800) 762-809 (574) 262-0478  
FAX (574) 264-2169  
Http://www.shurflo.com  
©2001

SHURflo Ltd. \*  
Unit 5 Sterling Park  
Gatwick Road, Crawley  
West Sussex, RH10 2QT  
United Kingdom  
+44 1293 424000  
FAX +44 1293 421880

