

SPECIFICATIONS:

MODEL NUMBER: 2088-774-500

PUMP DESIGN: Positive Displacement 3 Chamber Diaphragm Pump w/ Diaphragm Support

CHECK VALVE: NONE

CAM: 3.0 Degree

MOTOR: Permanent Magnet, P/N 11-127-11

VOLTAGE: 24 VDC Nominal

PRESSURE SWITCH: None

LIQUID TEMPERATURE: 130 Degrees Fahrenheit (54 Degrees Centigrade) Max.

PRIME: Self-Priming Up To 7.0 Feet (2.4 Meters) Vertical,

PORTS: 1/2" - 14 Male Parallel Thread

MATERIAL OF CONSTRUCTION:

PLASTICS- Polypropylene

VALVES- Santoprene

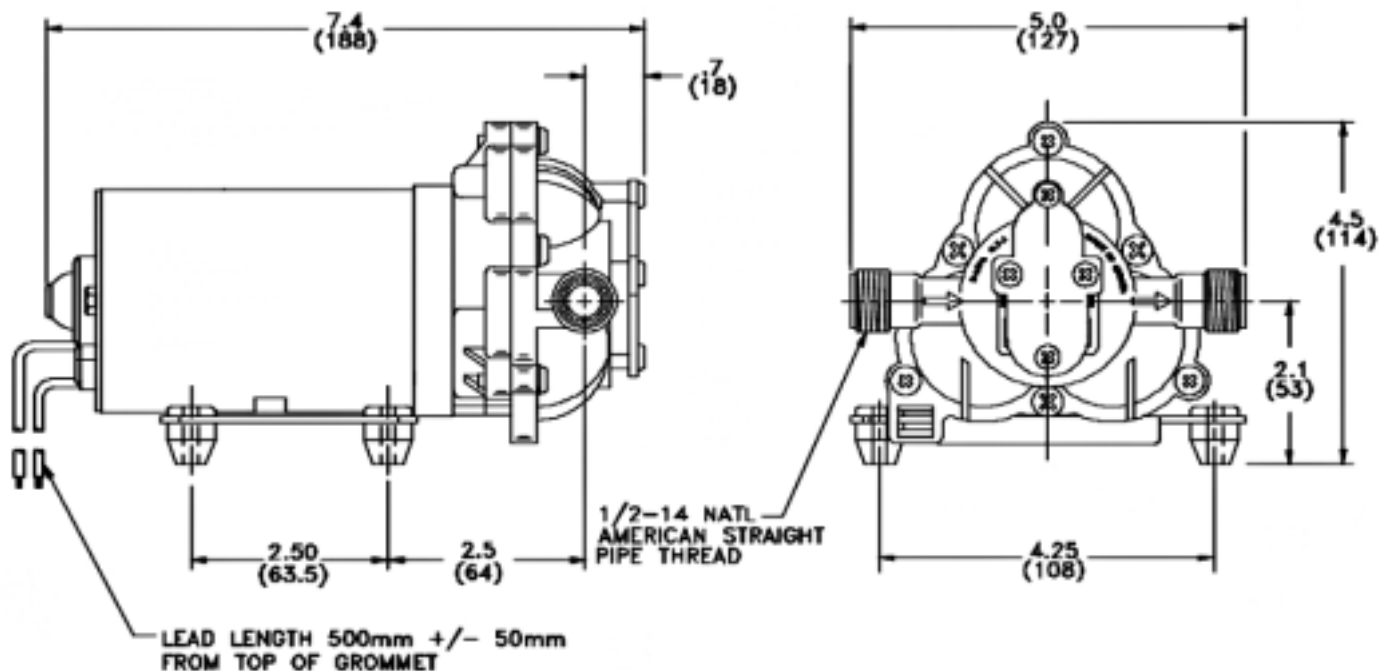
DIAPHRAGM- Santoprene

FASTENERS- Zinc Plated Steel

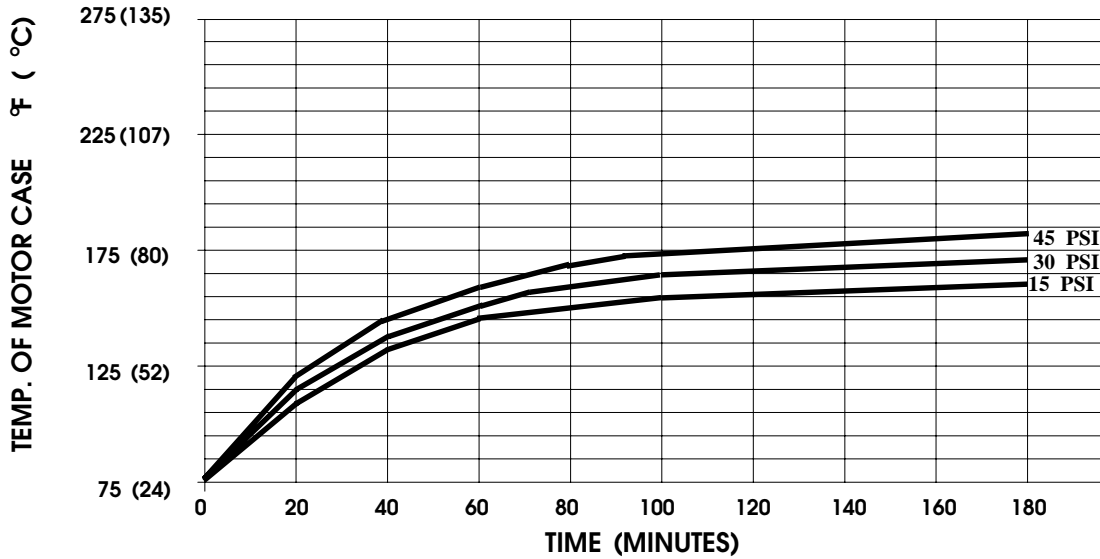
NET WEIGHT: 4.1 Lbs (2.27 Kg)

DUTY CYCLE: Continuous (See Temp. Rise Chart)

DIMENSIONS:

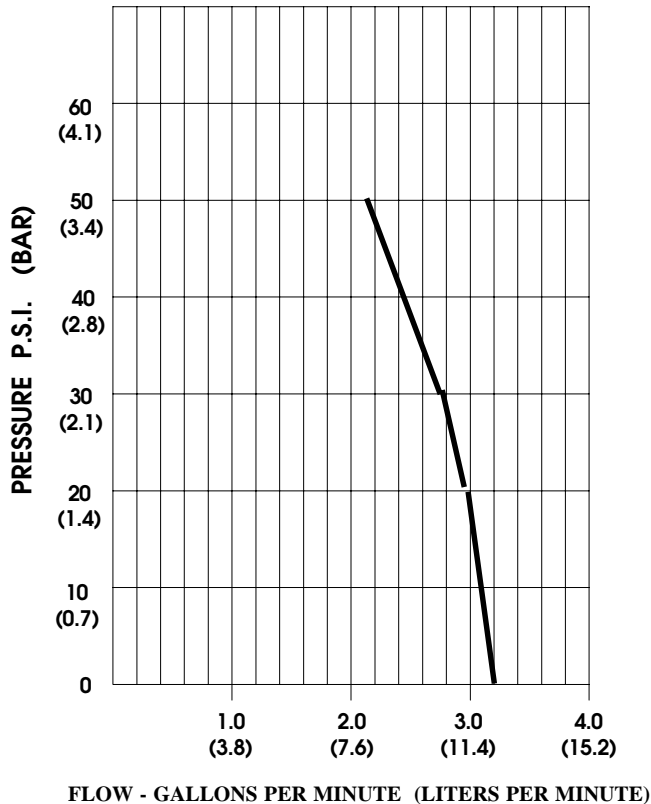


TEMPERATURE RISE



THIS GRAPH IS FOR USE AS A DESIGN GUIDE. IT IS BASED ON RUNNING CONTINUOUSLY WITH AN AMBIENT TEMPERATURE OF 75° F IN STILL AIR.

TYPICAL PERFORMANCE



PRESSURE (PSI)	FLOW (GPM)	RPM MIN/MAX	CURRENT (AMPS)	VOLTAGE (VOLTS)
OPEN	3.30	2312/2339	1.71	24 VDC
10	2.89	2219/2238	2.56	"
20	2.65	2132/2165	3.12	"
30	2.37	2079/2117	3.59	"
40	2.10	2044/2093	4.08	"
50	1.74	2027/2066	4.11	"

*-SPECIFICATIONS SUBJECT TO CHANGE WITHOUT NOTICE.
-ALL DATA BASED ON TESTING WITH WATER.*