

**SPECIFICATIONS:**

**MODEL NUMBER:** 2088-373-500

**PUMP DESIGN:** Positive Displacement 3 Chamber Diaphragm Pump

**CAM:** 3.0 Degree

**MOTOR:** Permanent Magnet, P/N 11-127-11

**VOLTAGE:** 24 VDC Nominal

**PRESSURE SWITCH:** None

**LIQUID TEMPERATURE:** 130 Degrees Fahrenheit (54 Degrees Centigrade) Max.

**PRIME:** Self-Priming Up To 8.0 Feet (2.4 Meters) Vertical,  
Max. Inlet Pressure 30 PSI (2.1 Bar)

**PORTS:** 1/2" - 14 Male Parallel Thread

**MATERIAL OF CONSTRUCTION:**

**PLASTICS-** Polypropylene

**VALVES-** Viton

**DIAPHRAGM-** Santoprene

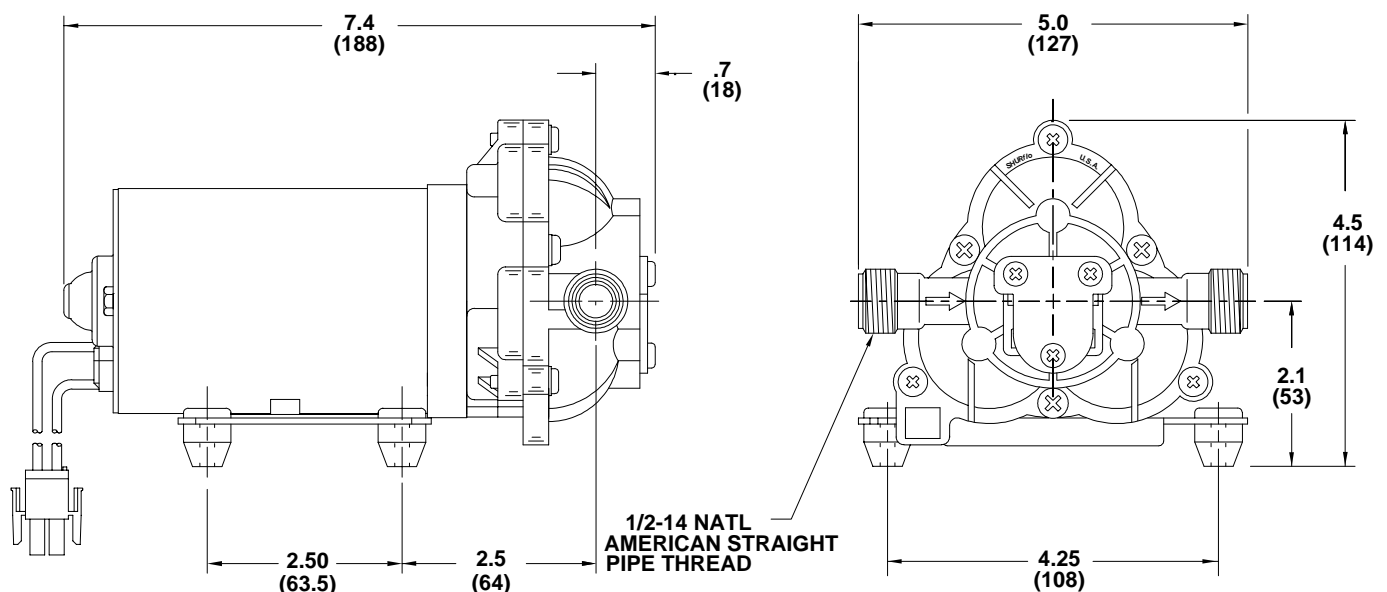
**FASTENERS-** Zinc Plated Steel

**NET WEIGHT:** 5.0 Lbs (2.27 Kg)

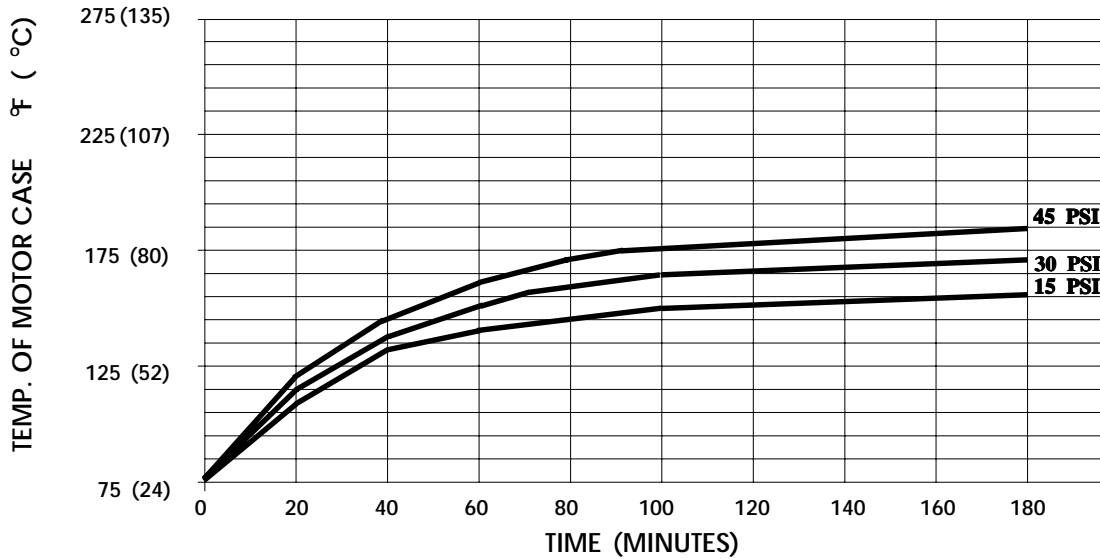
**DUTY CYCLE:** Continuous (See Temp. Rise Chart)

**TYPICAL APPLICATIONS:** Endoscopy Support Equipment Washing

**DIMENSIONS:**

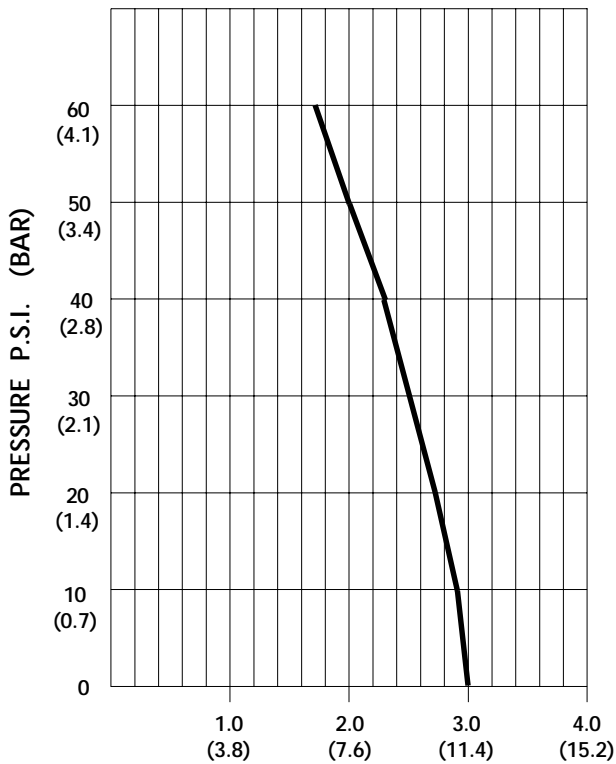


### TEMPERATURE RISE



THIS GRAPH IS FOR USE AS A DESIGN GUIDE. IT IS BASED ON RUNNING CONTINUOUSLY WITH AN AMBIENT TEMPERATURE OF 75° F IN STILL AIR.

### TYPICAL PERFORMANCE



PRESSURE (PSI)	FLOW (GPM/LIT)	RPM MIN/MAX	CURRENT (AMPS)	VOLTAGE (VOLTS)
OPEN	<b>3.0/11.4</b>	<b>2195/2220</b>	<b>2.4</b>	<b>24 VDC</b>
10	<b>2.9/11.0</b>	<b>2170/2200</b>	<b>2.5</b>	"
20	<b>2.7/10.2</b>	<b>2120/2150</b>	<b>3.4</b>	"
30	<b>2.5/9.5</b>	<b>2075/2100</b>	<b>4.0</b>	"
40	<b>2.3/8.7</b>	<b>2040/2095</b>	<b>4.6</b>	"
50	<b>2.0/7.6</b>	<b>2010/2015</b>	<b>5.1</b>	"
60	<b>1.7/6.4</b>	<b>1795/1870</b>	<b>5.5</b>	"

FLOW - GALLONS PER MINUTE (LITERS PER MINUTE)

-SPECIFICATIONS SUBJECT TO CHANGE WITHOUT NOTICE.  
 -ALL DATA BASED ON TESTING WITH WATER.