

SPECIFICATIONS:

MODEL NUMBER: 100-030-20

PUMP DESIGN: Positive Displacement Wobbler Pump

MOTOR: Permanent Magnet, P/N 11-176-00

VOLTAGE: 24VDC Nominal

LIQUID TEMPERATURE: 130 Degrees Fahrenheit Max.

PRIME: Self-Priming Up To 4 in. Vertical,
Max. Inlet Pressure 30 PSI (2.1 Bar)

PORTS: 3/8" Barb

MATERIAL OF CONSTRUCTION:

PLASTICS- Ryton R-4

ELASTOMERS- EPDM/Nitrile-Butadiene

ROTOR INSERT- Fulton

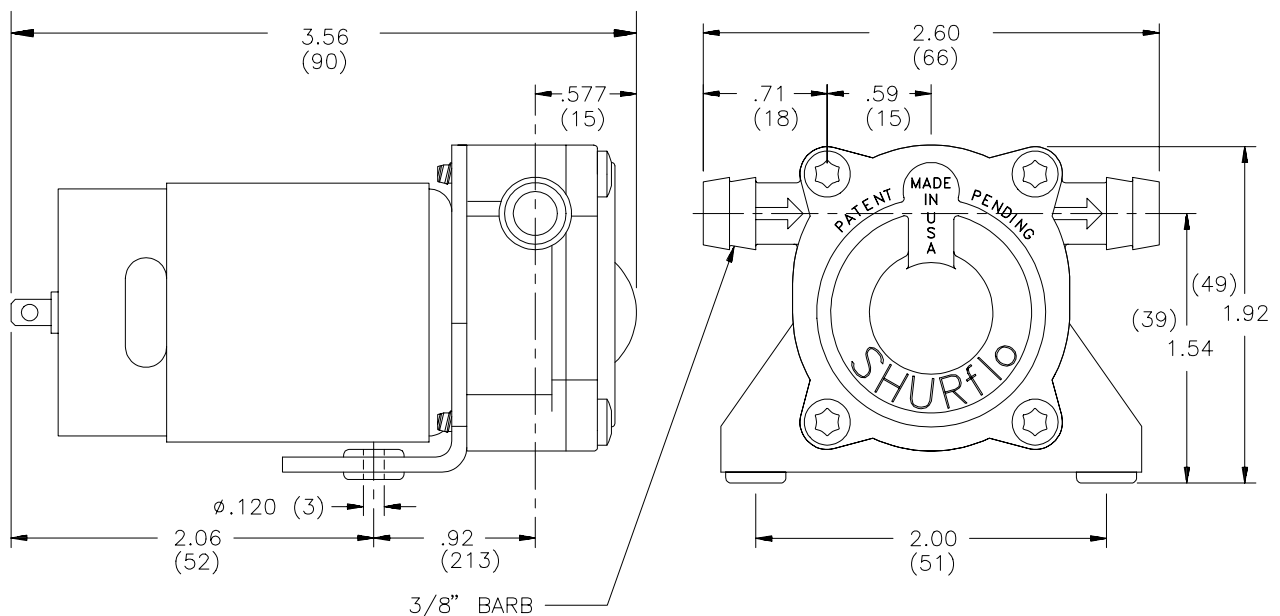
FASTENERS- Zinc Plated Steel

NET WEIGHT: .60 Lbs (272 g)

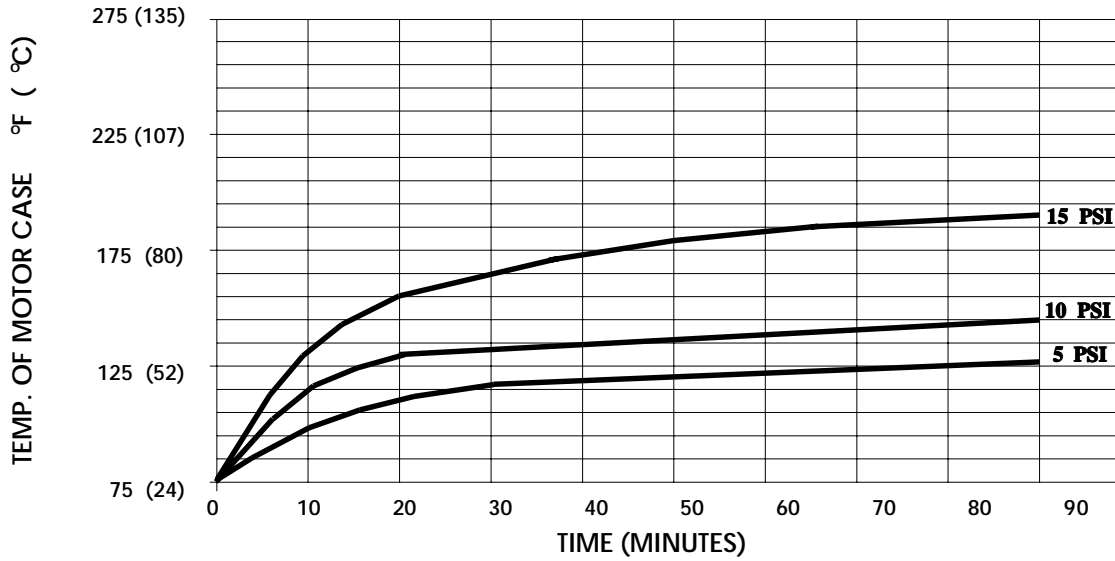
DUTY CYCLE: Intermittent (See Temperature Rise Chart)

TYPICAL APPLICATIONS: Low Pressure Liquid Transfer

DIMENSIONS:

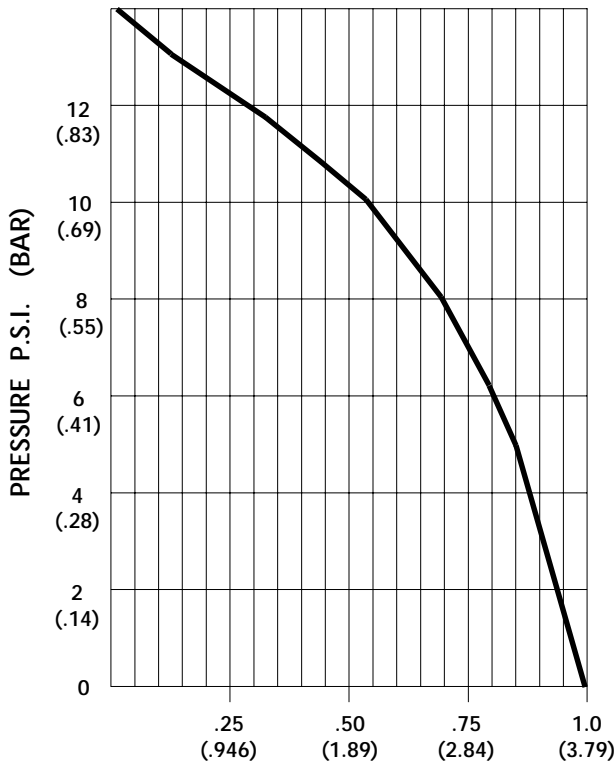


TEMPERATURE RISE



THIS GRAPH IS FOR USE AS A DESIGN GUIDE. IT IS BASED ON RUNNING CONTINUOUSLY WITH AN AMBIENT TEMPERATURE OF 75° F IN STILL AIR.

TYPICAL PERFORMANCE



PRESSURE (PSI)	FLOW (GPM/LIT)	RPM MIN/MAX	CURRENT (AMPS)	VOLTAGE (VOLTS)
OPEN	1.00/3.8	2190/2265	0.8	24VDC
5	0.85/3.2	2060/2145	0.9	"
10	0.53/1.9	1950/2000	1.0	"
15	0	1820/1920	1.2	"

FLOW - GALLONS PER MINUTE (LITERS PER MINUTE)

**-SPECIFICATIONS SUBJECT TO CHANGE WITHOUT NOTICE.
-ALL DATA BASED ON TESTING WITH WATER.**