

SPECIFICATIONS:

MODEL NUMBER: 100-000-30 (Norco Private Label Model)

PUMP DESIGN: Positive Displacement Wobbler Pump

MOTOR: Permanent Magnet, P/N 11-144-00

VOLTAGE: 12VDC Nominal

LIQUID TEMPERATURE: 130 Degrees Fahrenheit Max.

PRIME: Self-Priming Up To 4 in. Vertical,
Max. Inlet Pressure 30 PSI (2.1 Bar)

PORTS: 3/8" Barb

MATERIAL OF CONSTRUCTION:

PLASTICS- Polyphenylene Sulfide

ELASTOMERS- Nitrile-Butadiene

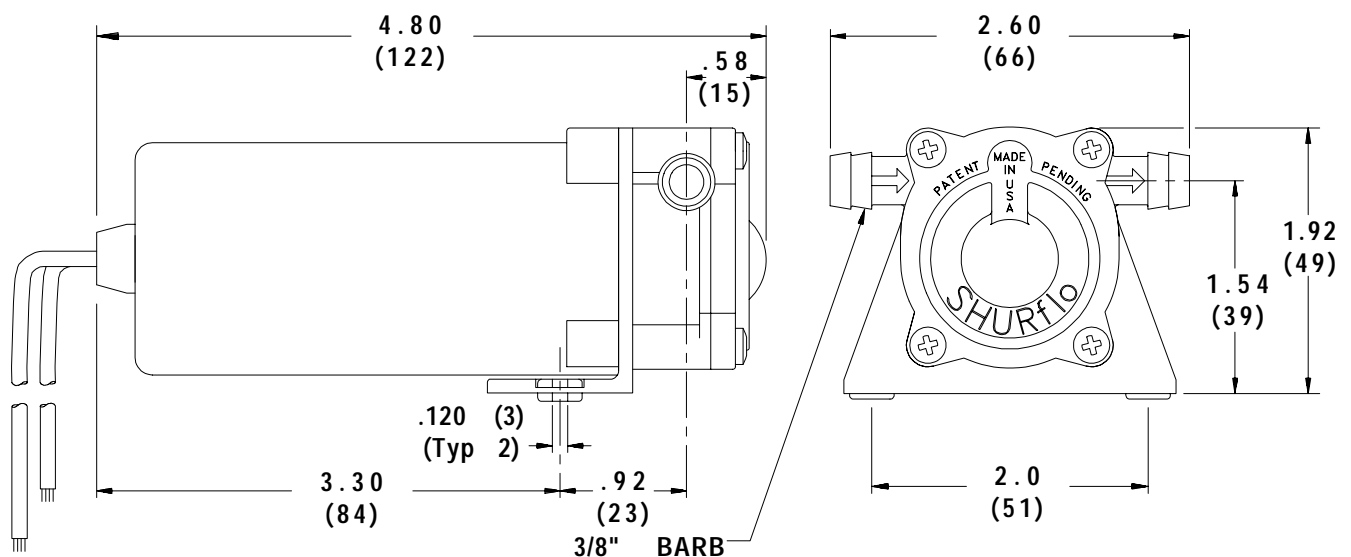
FASTENERS- Stainless Steel

NET WEIGHT: .71 Lbs (324 g)

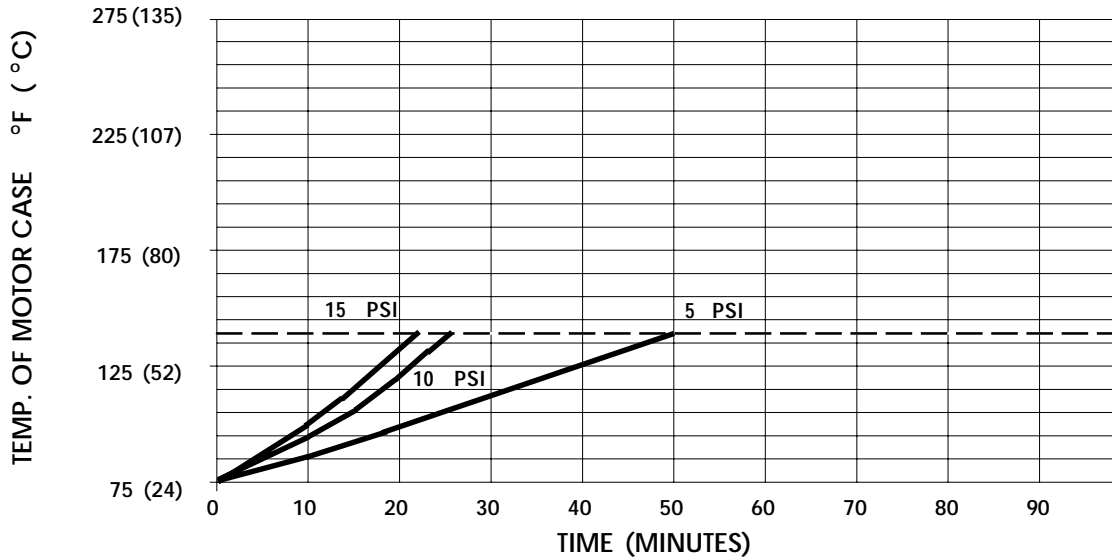
DUTY CYCLE: Intermittent (See Temperature Rise Chart)

TYPICAL APPLICATIONS: Potable Water

DIMENSIONS:



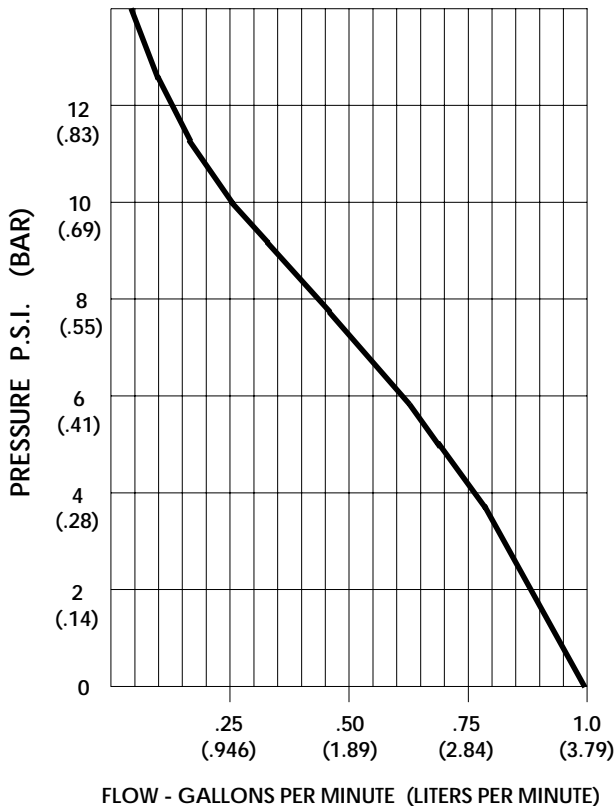
TEMPERATURE RISE



THIS GRAPH IS FOR USE AS A DESIGN GUIDE. IT IS BASED ON RUNNING CONTINUOUSLY WITH AN AMBIENT TEMPERATURE OF 75 F IN STILL AIR. THE THERMAL BREAKER WILL OPEN WHEN THE CASE TEMPERATURE REACHES 140 F.

[----- TRIP POINT OF THERMAL PROTECTOR]

TYPICAL PERFORMANCE



PRESSURE (PSI)	FLOW (GPM/LIT)	CURRENT (AMPS)	VOLTAGE (VOLTS)
OPEN	1.00/3.7	1.5	12VDC
5	0.70/2.6	1.7	"
10	0.30/1.1	2.0	"
15	0	2.4	"

-SPECIFICATIONS SUBJECT TO CHANGE WITHOUT NOTICE.

-ALL DATA BASED ON TESTING WITH WATER.