

SCOT

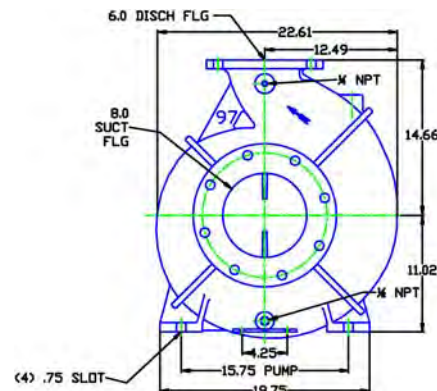
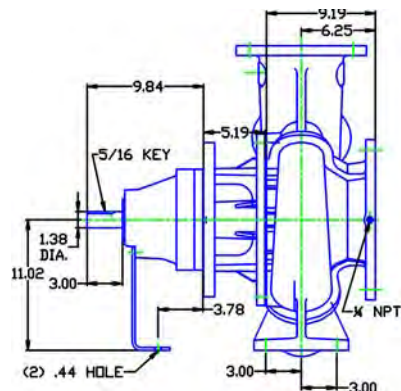
FRAMEPUMP™ — VARIABLE SPEED

FP 97

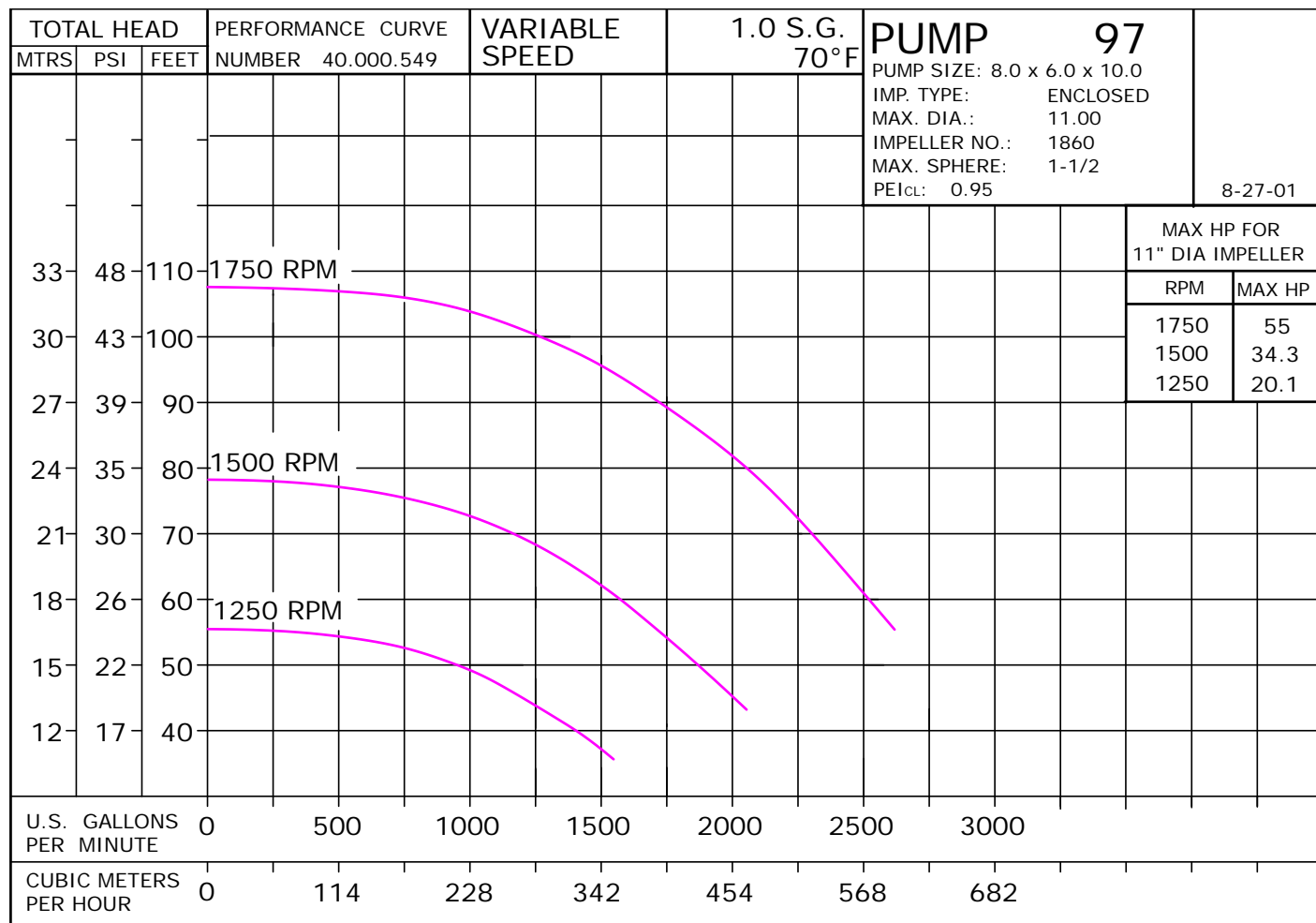
JP211

3308

1 3/8" SHAFT, 8 X 6 X 10 ANSI FLG



ALL DIMENSIONS IN INCHES



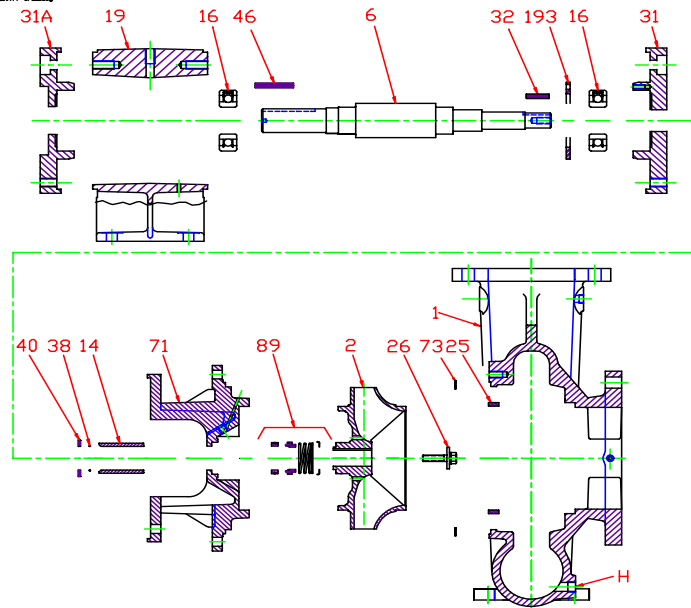
D097FPJP211
097JP211 974VS

FP 97

JP211

097JP211-A
81.001.834 M19

FP97 • Iron • 1 3/8" Shaft • JP211

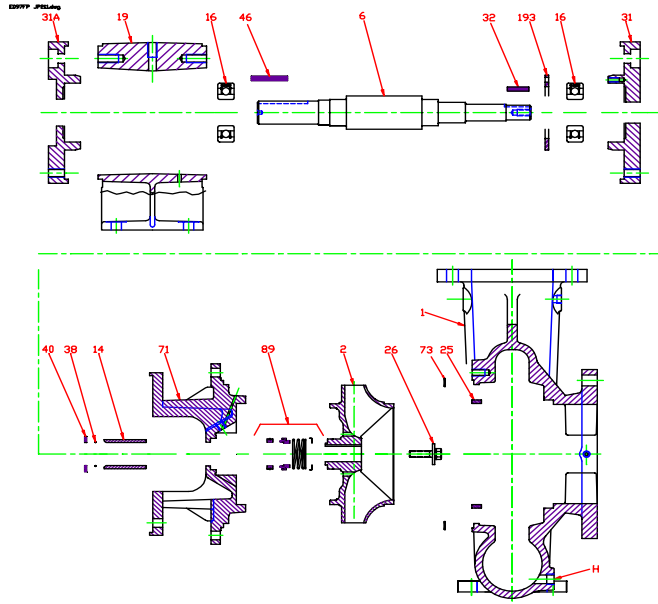


KEY NO.	PART NAME	FP 97
1+	CASE, IRON, 8 x 6 FLG	130.000.325X1
2	IMPELLER, 1 1/4" KEYED, ENCLOSED, SPECIFY DIAMETER: IRON	137.000.163
14*	SHAFT SLEEVE, STAINLESS	110.000.360
25	WEAR RING, STEEL	137.001.448
26*	IMPELLER RETAINER, STAINLESS	118.000.641
32*	KEY, STAINLESS	102.000.282
38*	O-RING, SHAFT, VITON	116.000.218A
40*	FLINGER, STAINLESS	104.000.200
71	ADAPTER, IRON	137.001.436
73*	GASKET, CASE	116.000.293
89*	1 3/4" SEALS: TYPE 21, VN-CARB/CM	101.000.216
	BEARING FRAME ASS'Y CONSISTING OF:	JP211 118.000.417
6†	SHAFT, ASS'Y	135.000.264X
16	BEARING	103.000.210
18	BEARING	103.000.167
19	SHELL	137.000.411
35	END BELL	132.000.384
46†	KEY	102.000.270E
53	BASE	119.000.476G
69	WAVE SPRING	119.000.458
77	LUBE FITTING	102.000.201
77A	LUBE ELBOW	102.000.334
193	RETAINER	102.000.285
--	REPAIR KITS: VN-CARB/CM SEAL	118.000.406A

* DENOTES COMPONENTS INCLUDED IN REPAIR KIT.
 + INCLUDES STEEL WEAR RING.
 † DENOTES COMPONENTS INCLUDED WITH SHAFT ASSEMBLY

097FPJP211

FP 97 • Iron • 1 3/8" Shaft • JP211



CONSTRUCTION OPTIONS

KEY NO.	PART NAME	ALL IRON
1	Case	Iron
2	Impeller	Iron
6	Shaft Ass'y	Steel
14	Shaft Sleeve	Stainless
19	Shell	Iron
25	Wear Ring	Steel
26	Impeller Retainer	Stainless
32	Key	Stainless
38	O-ring, Shaft	Viton
40	Flinger	Stainless
46	Key	Stainless
53	Base	Steel
69	Wave Spring	Steel
71	Adapter	Iron
73	Gasket, Case	Fiber
89	Mechanical Seal, Type 21 VN-CARB/CM	Standard
193	Retainer	Steel

E097FPJP211

D15

C097JP211-A