

D074NVPJ56

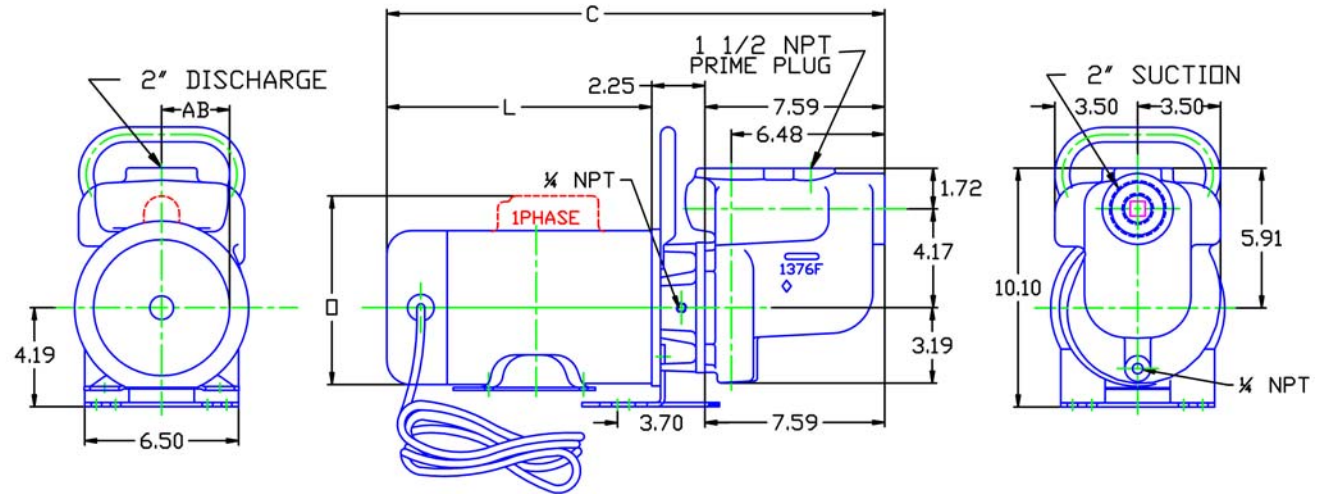
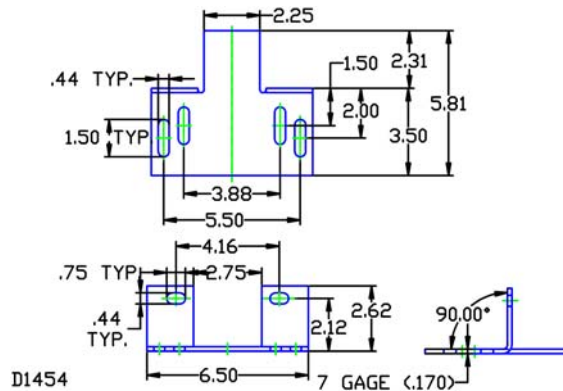
DRAWING DEPICTS 56J 1PHASE ODP MOTOR

MOTOR DIMENSIONS

NEMA J56 FRAME 3500 RPM 1 PHASE

HP	ODP				TEFC			
	L	O	AB	C	L	O	AB	C
1.0	9.81	8.37	3.25	19.65	--	--	--	--
1.5	10.31	8.37	3.25	20.15	10.59	8.10	5.31	20.47

Use 1.5HP for TEFC motor.



ALL DIMENSIONS IN INCHES



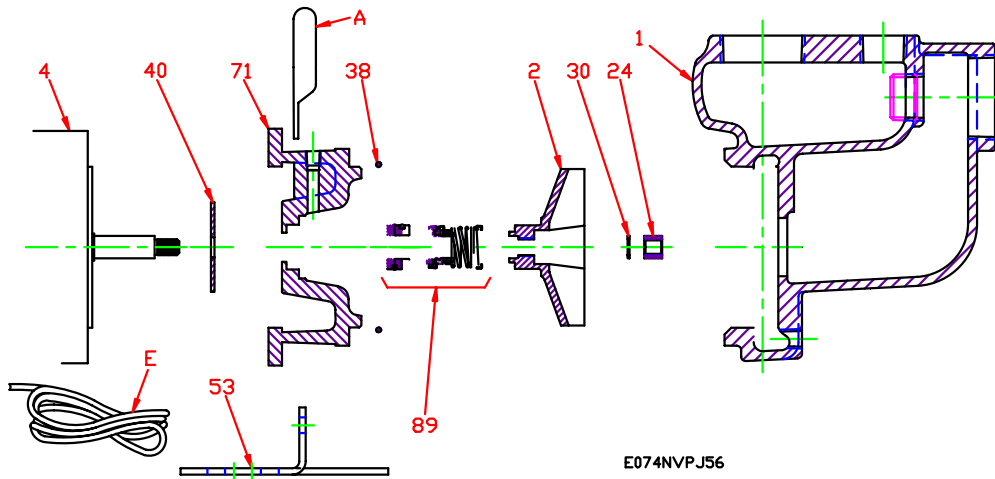
CAPACITY RATING				
GPM	0	25	50	75
PSI	30	25	20	10

NOTE: Performance is based on 5' suction lift. Flow will decrease as lift is increased. Flapperless design – system will require a check valve to prevent back siphoning. Discharge may be reduced for smaller hose without damaging pump – 2" reinforced suction hose required for inlet.

D1454
07421TE

D074NVPJ56

Pump 74NVP • Iron • J56 Frame • 3500 RPM



E074NVPJ56

KEY NO.	PART NAME	Pump 74NVP
1	CASE, IRON, 2 x 2 NPT	130.000.239X
2	IMPELLER, 7/16" THREADED, SEMI-OPEN, IRON: 4.38"	131.000.448
4	MOTOR: J56, ROUND BODY J56, 3.5" RIGID BASE	See Chart See Chart
24*+	NUT, STAINLESS	105.000.465
30*+	D WASHER, STAINLESS	104.000.168
40*	FLINGER, NEOPRENE	104.000.171
53	BASE, STEEL	119.000.231A
71	ADAPTER, IRON	132.000.207X
73*	GASKET, CASE, BUNA	116.000.141
E	CORD SET (1 HP ONLY)	120.000.104
A	HANDLE	119.000.236
	5/8" SEALS:	
	NO RETAINER:	
	TYPE 6, BN-CARB/CM	101.000.110
	WITH RETAINER:	
89*	TYPE 21, VN-CARB/CM	101.000.103
	TYPE 21, VN-CARB/SIL	101.000.120
	TYPE 21, VN-SIL/SIL	101.000.239
	TYPE 21, EPDM-CARB/SIL	101.000.173
	TYPE 21, EPDM-SIL/SIL	101.000.236
	REPAIR KITS:	1 PHASE:
--	BN-CARB/CM SEAL	118.000.341.1
	VN-CARB/CM SEAL	118.000.341A.1
	VN-CARB/SIL SEAL	118.000.341B.1
	VN-SIL/SIL SEAL	118.000.341F.1
	EPDM-CARB/SIL SEAL	118.000.341C.1
	EPDM-SIL/SIL SEAL	118.000.341D.1
* DENOTES COMPONENTS INCLUDED IN REPAIR KIT.		