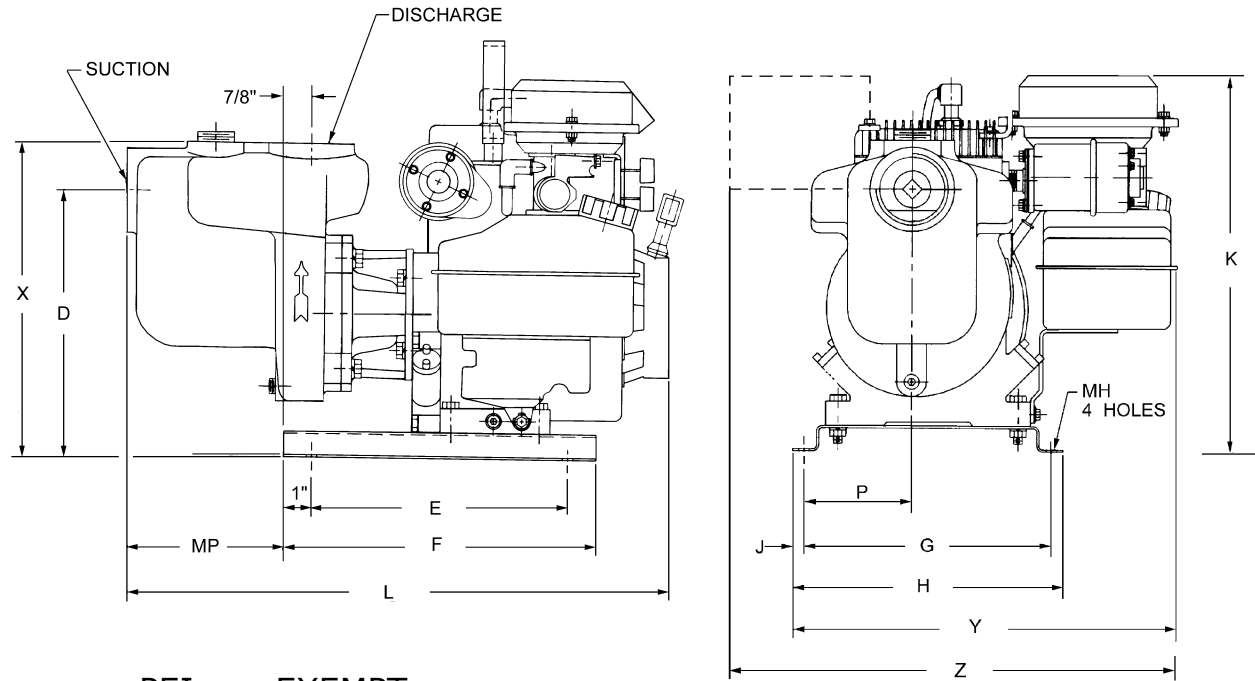


Dimensions																
HP	Mfg	D	E	F	G	H	J	K	L	P	W	X	Y	Z	MH	MP
5.5	Honda	5.18	9.00	11.00	8.75	9.56	0.40	14.25	14.58	3.78	4.88	3.18	13.78	14.43	0.38	1.80

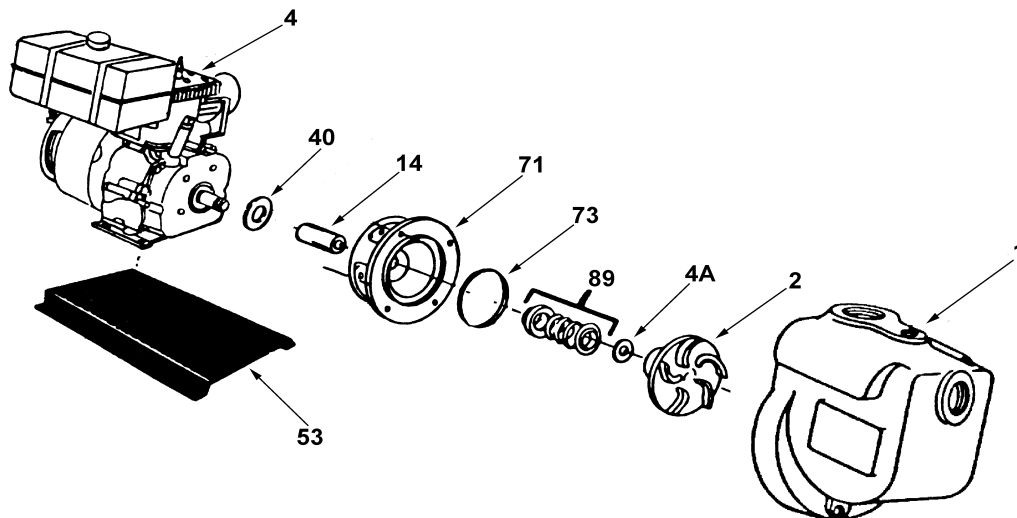
ALL DIMENSIONS IN INCHES.
DRAWING REPRESENTS APPROXIMATE PUMP DIMENSIONS.



PEI_{CL}: EXEMPT

Engine HP	Engine Mfg	Engine Model No.	Pump Head in PSI at Various GPM		
			50 GPM	100 GPM	125 GPM
5.5	Honda	GX 160 UT2TX2	35	25	15

PUMP NO. 74 • Iron • 3900 RPM



KEY NO.	PART NAME	PUMP NO. 74
1	CASE, IRON, 2 X 2 NPT	130.000.239X1
2	IMPELLER, IRON, 5/8" THREADED, SEMI-OPEN 4.50" DIA	131.000.238
4	ENGINE 5.5HP HONDA	112.000.182
4A	SHIM	104.000.142
14*	SHAFT SLEEVE, STAINLESS	110.000.137
40*	FLINGER, RUBBER	104.000.179
53	BASE, STEEL	119.000.151
71	ADAPTER, IRON	132.000.155
73*	GASKET, CASE	116.000.141
89*	3/4" SEAL: TYPE 6, BN-CARB/CM	101.000.102
--	REPAIR KIT: BN-CARB/CM SEAL	118.000.221

* DENOTES COMPONENTS INCLUDED IN REPAIR KIT.