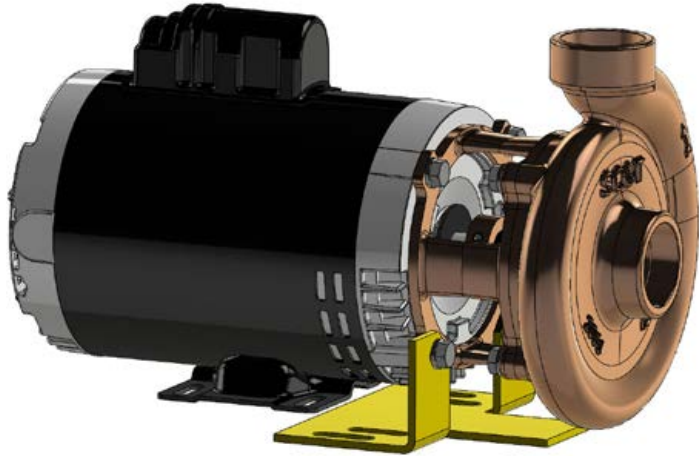


Pump

- Seawater Bronze case, impeller adapter
- Seawater Bronze 7/8" shaft
- Impeller keyed to stub shaft and secured by washer and locking assembly
- O-ring case gasket

Motor

- Standard NEMA frame motor
- 1 and 3 phase

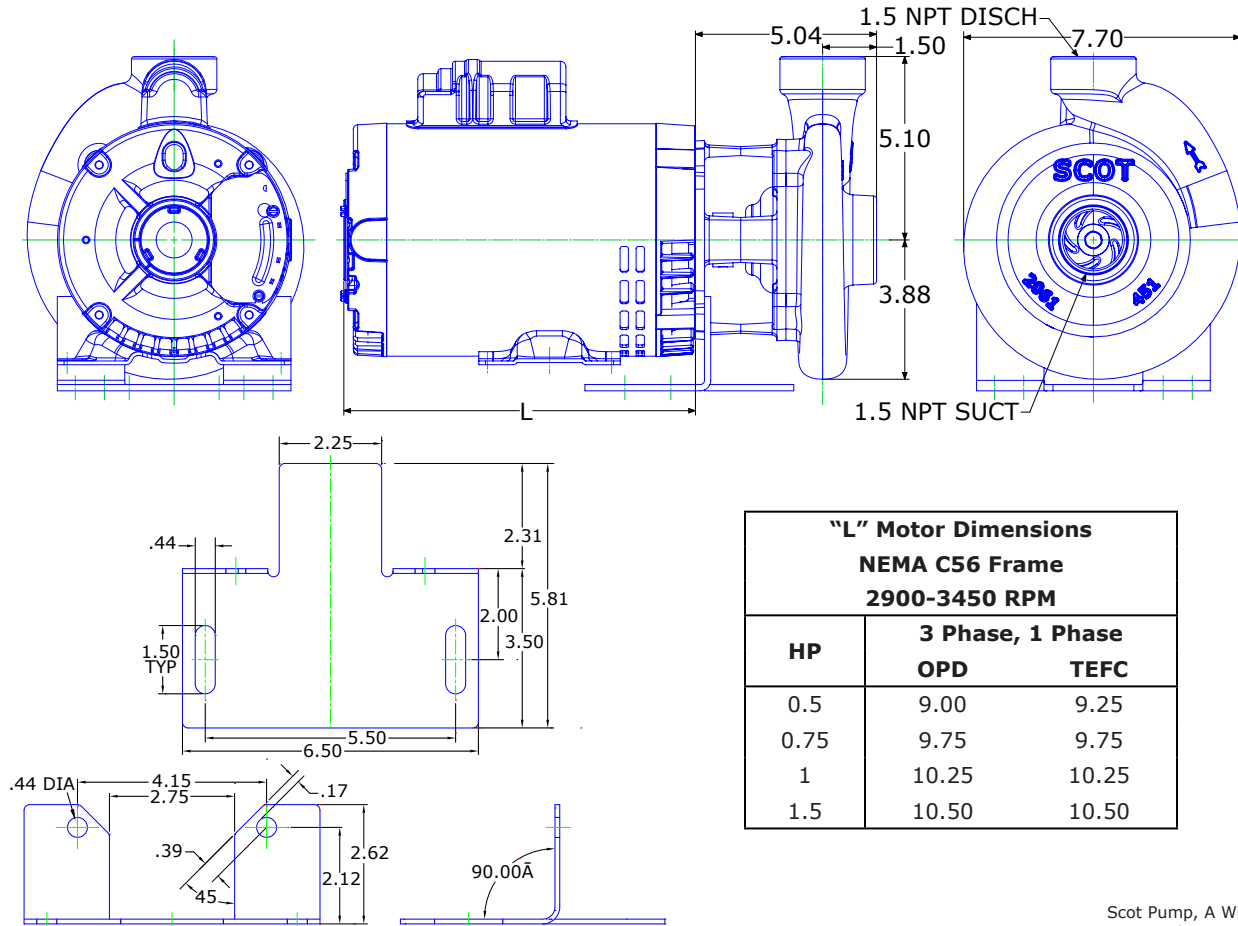


HP Amperes Table and Standard Impellers
2900-3450 RPM TEFC

Imp dia inches	Wt.- lbs	HP		3 Phase		1 Phase	
		50 Hz	60 Hz	50 Hz 220V	60 Hz 230V	50 Hz 380V	60 Hz 230V
3.50	40	0.5	0.5	1.0	2.2	4.6	4.2
3.75	41	0.75	0.75	1.3	2.8	5.9	5.4
4.00	42	1	1	1.5	3.2	7.6	6.9
4.25	42	1	1	1.5	3.2	7.6	6.9
4.50	44	1.5	1.5	2.4	5.0	10.1	9.2
4.72	44	1.5	1.5	2.4	5.0	10.1	9.2

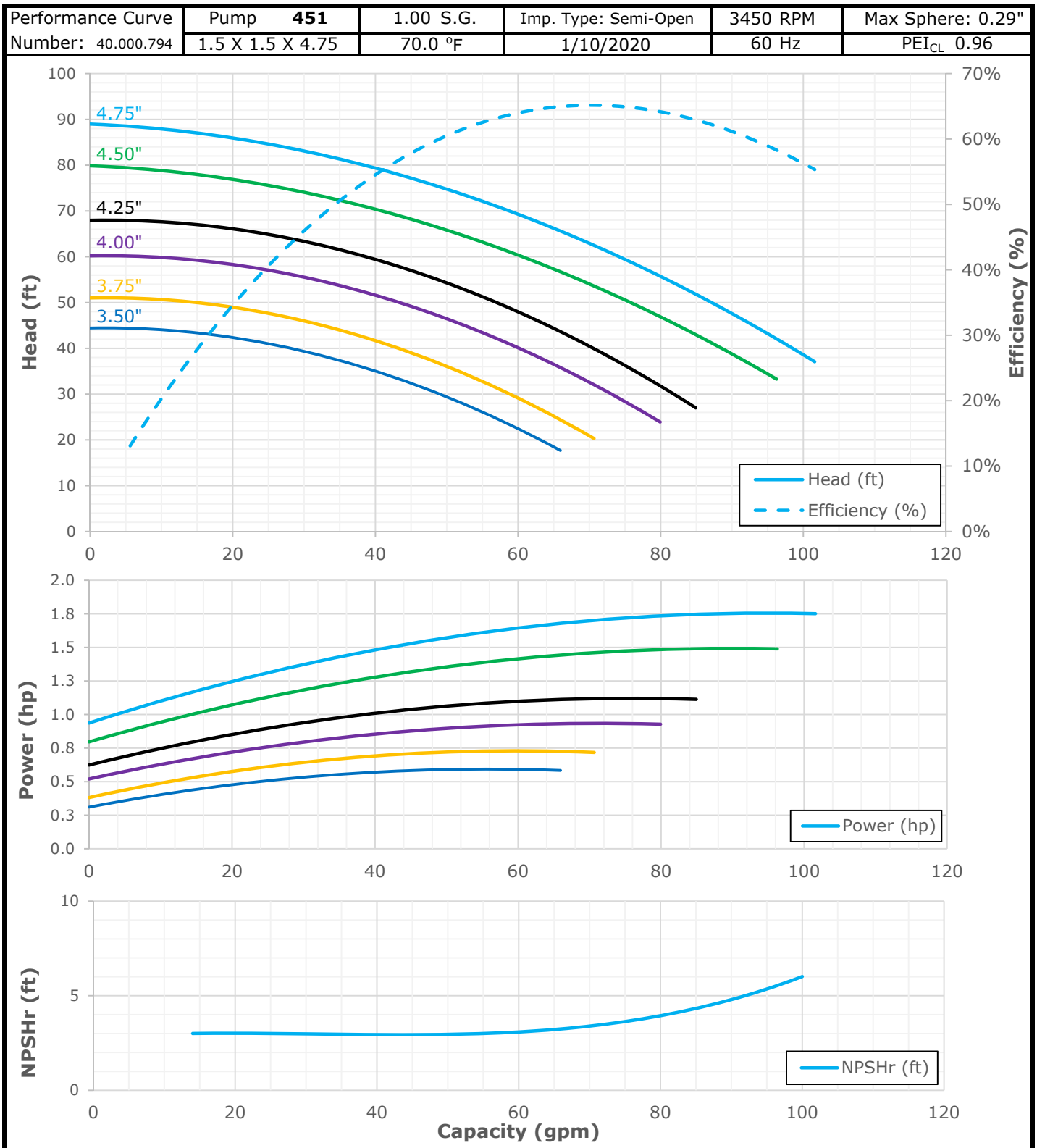
Single phase amps for 115V 60Hz is double 230V amps
Three phase amps for 460V 60Hz is one half 230V amps

Dimensions

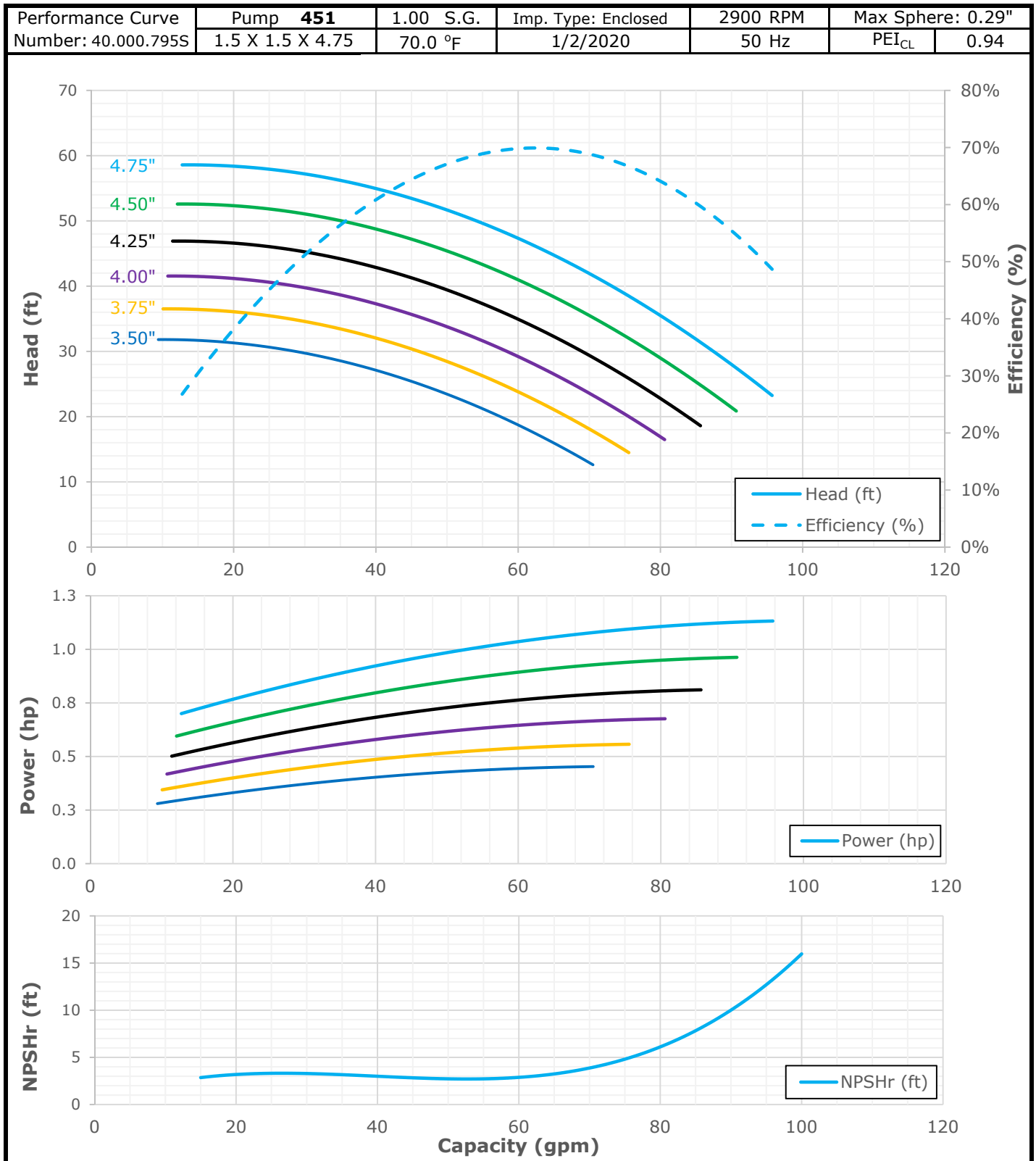


"L" Motor Dimensions NEMA C56 Frame 2900-3450 RPM		
HP	3 Phase, 1 Phase	
	OPD	TEFC
0.5	9.00	9.25
0.75	9.75	9.75
1	10.25	10.25
1.5	10.50	10.50

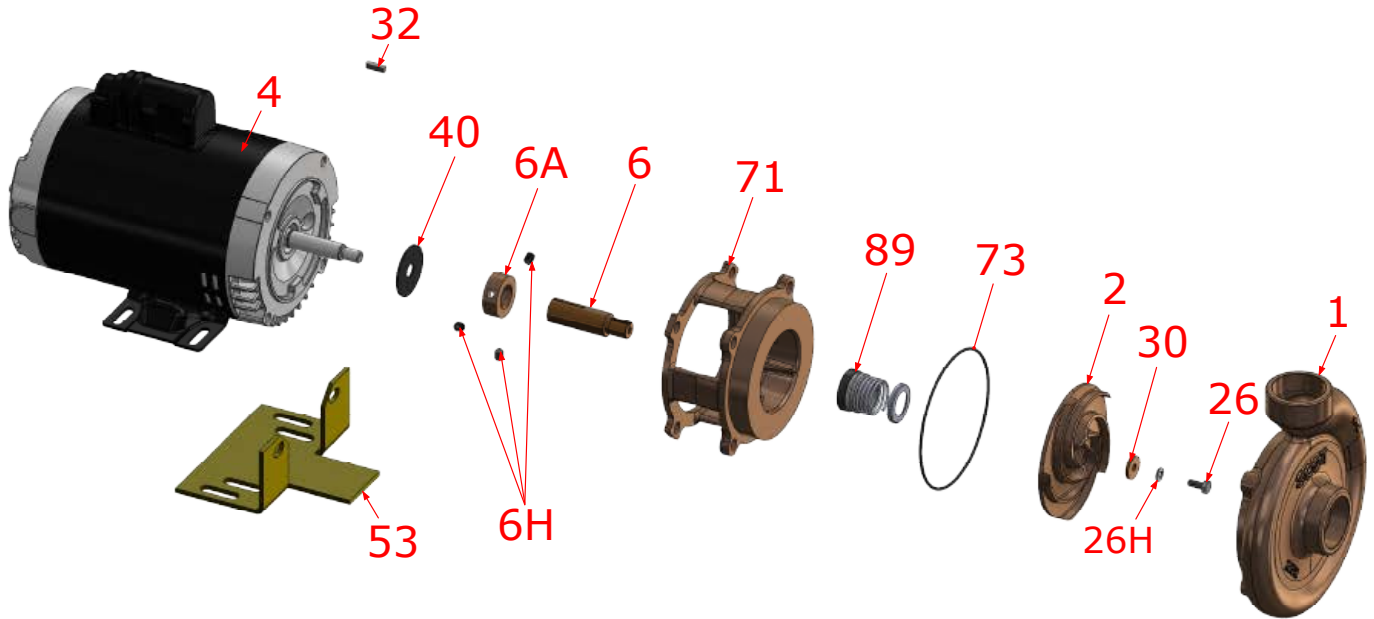
Performance Curve



Performance Curve

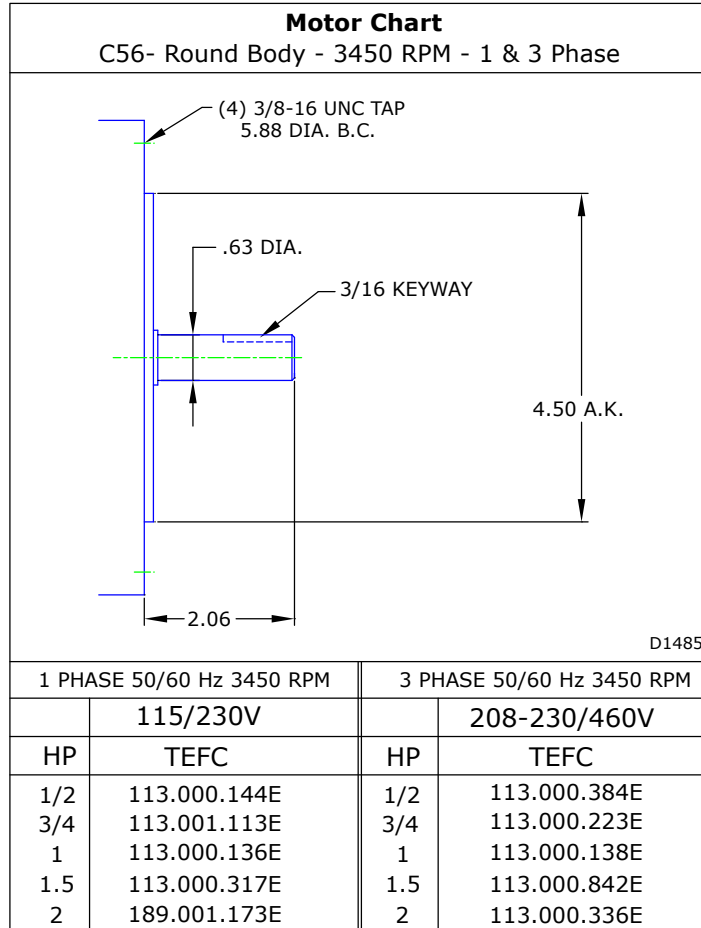


Parts

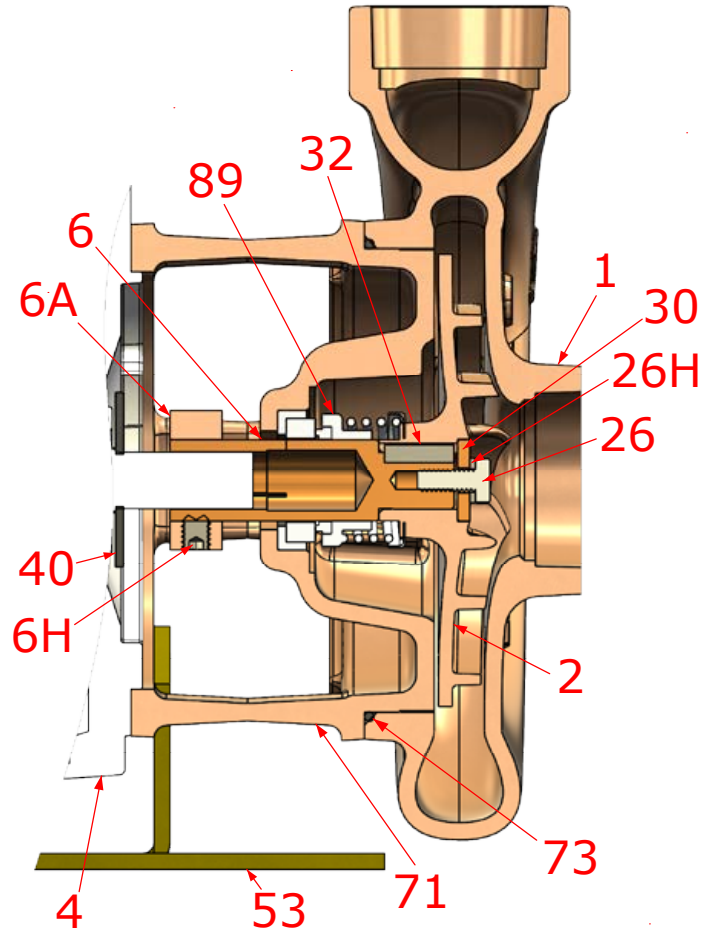


Key No.	Part Name	Part Number
1	Case 451, Bronze, 1.5 x 1.5 NPT	3301123
2	Impeller 451, Bronze, Specify Dia, 4.88 Max, 5/8" Key	3301138
4	Motor chart, C56 3.5" Rigid Base	See Chart
6	Shaft, Bronze	189.001.301
6A	Collar, Bronze	189.001.223
6H	Set Screw, Stainless	189.001.243
26	Cap Screw, Stainless, Retainer	189.001.468
26H	Lock Washer, Stainless, Retainer	104.000.134
30	Washer, Bronze, Retainer	137.003.153
32	Key, Stainless	189.001.305
53	Base, Steel	119.000.237X
71	Adapter, Bronze	3301140
73*	Gasket, Case, Buna	137.003.154
89*	Seal, 7/8", Type 21, BN-CARB/CM	189.001.228
KIT	Repair Kit, 7/8" BN-CARB/CM Seal	118.000.695

Motor Charts



Construction Options



Construction Options		
Key No.	Part Name	All Bronze
1	Case	Bronze
2	Impeller	Bronze
6	Stub Shaft	Bronze
6A	Collar	Bronze
6H	Set Screw	Stainless
26	Cap Screw, Retainer	Stainless
26H	Lock Washer, Retainer	Stainless
30	Washer, Retainer	Bronze
32	Key	Stainless
40	Flinger	Neoprene
53	Base	Stainless
71	Adapter	Bronze
73	Gasket, Case	Buna
89	Mechanical Seal, Type 21	BN-CARB/CM