

## Pump

- Seawater Bronze case, impeller, adapter
- Seawater Bronze 7/8 inch shaft
- 7/8 inch diameter Mechanical Seal
- Bronze Impeller is keyed to stub shaft and secured by a Bronze washer and locking assembly.
- O-Ring case gasket



## Motor

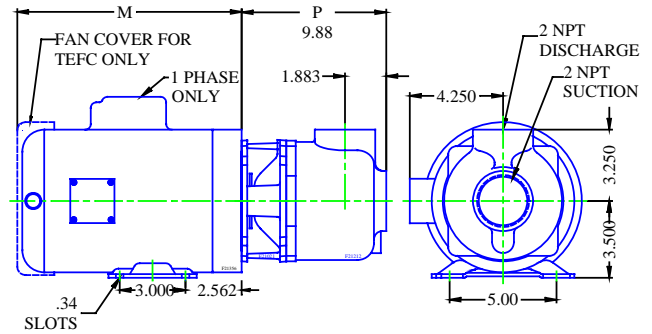
- Standard NEMA frame motor
- 1 and 3 phase

Handles Waste Water and Sewage

Vortex design for solids to 1-1/2 inches.

Fish parts and vegetable matter are pumped with ease.

Pump is not self priming.



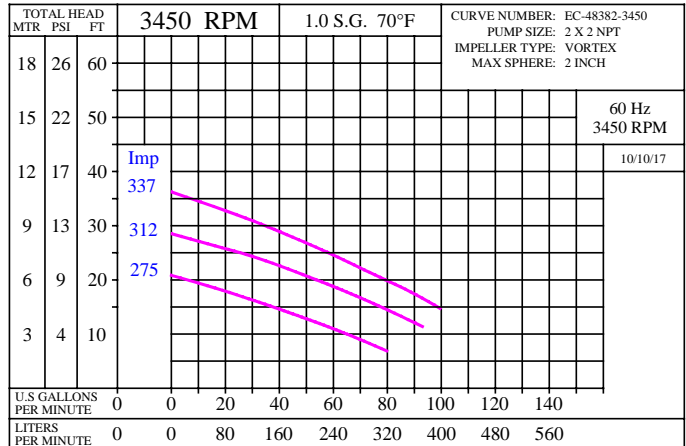
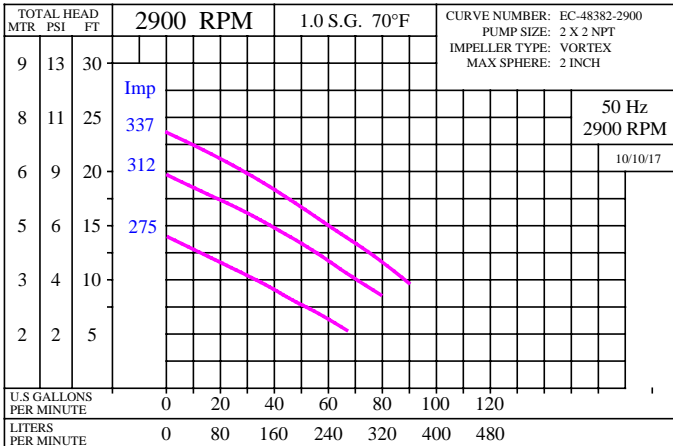
## Motor Amps 48382-2

Imp	Motor HP		Wt. lbs	Amperes - 2900-3450 RPM TEFC			
	50 Hz	60 Hz		Single Phase		Three Phase	
				50 Hz 220 V	60 Hz 230 V	50 Hz 380 V	60 Hz 230 V
337	1-1/2	2	52	11.0	10.0	3.1	6.4
312	1-1/2	1-1/2	50	10.1	9.2	2.4	5.0
2.75	1	1	43	7.6	6.9	1.5	3.2

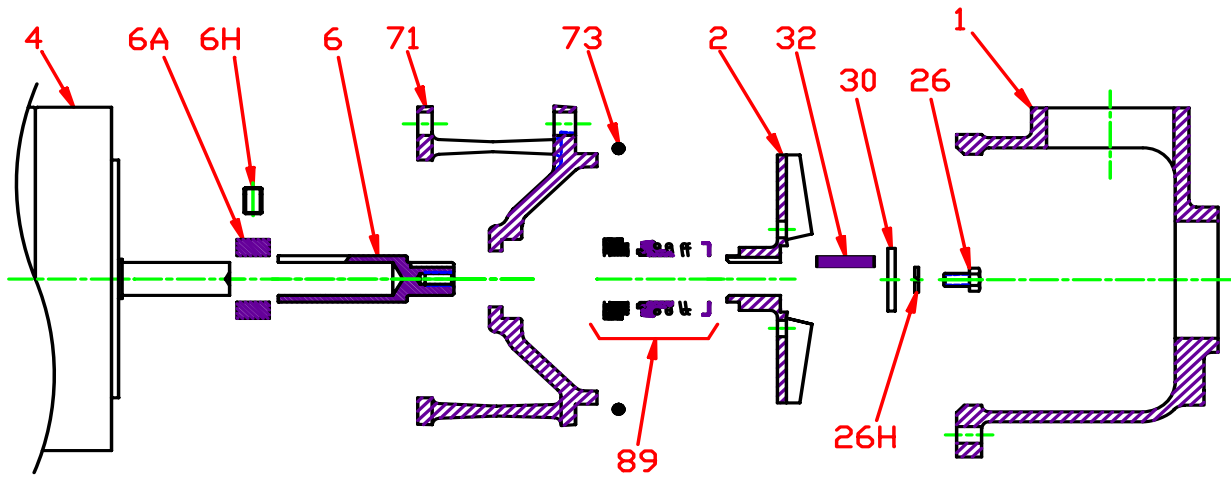
## "M" Motor Length inches

HP	Single Phase		Three Phase	
	ODP	TEFC	ODP	TEFC
1 1/2	10.50	10.50	10.50	10.50
1	10.25	10.25	10.25	10.25
3/4	9.75	9.75	9.75	9.75
1/2	9.00	9.25	9.00	9.25

Single phase amps for 115 V 60 Hz is double 230 V amps  
Three phase amps for 460 V 60 Hz is one half 230 V amps



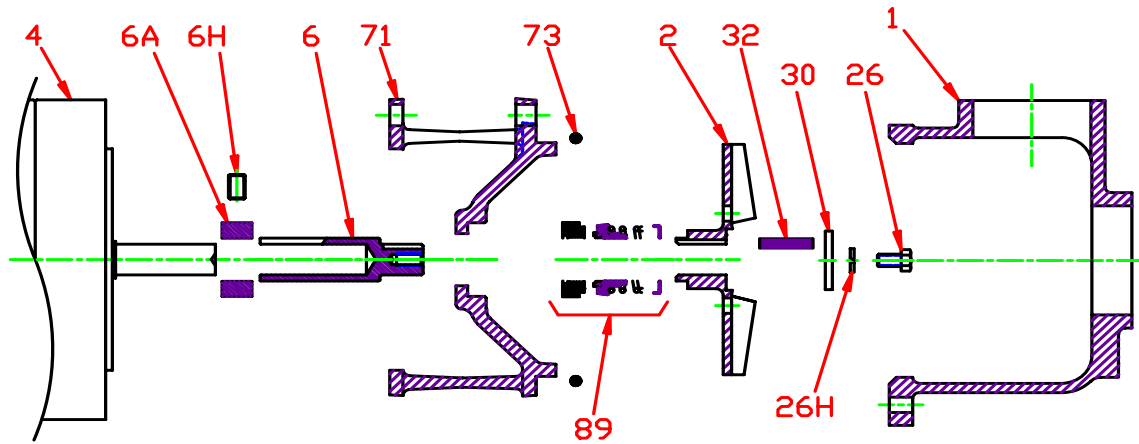
**Pump 48382 • Bronze • C56 Frame • 3500 RPM**



KEY NO.	PART NAME	PUMP 48382
1	CASE, BRONZE, 2 x 2 NPT	130.000.277
2	IMPELLER, BRONZE, 5/8" KEY, ENCLOSED	
	2.75	189.001.348.275
	3.12	189.001.348.312
	3.38	189.001.348.338
4	MOTOR:	
	C56, 3.5" RIGID BASE	See Chart
6	SHAFT, BRONZE	189.001.301
6A	COLLAR, BRONZE	189.001.223
6H	SET SCREW, STN	189.001.243
26	CAP SCREW, STN, RETAINER	189.001.468
26H	LOCK WASHER, STN, RETAINER	104.000.134
30	WASHER, BRONZE, RETAINER	189.001.304
32	KEY, STAINLESS	189.001.305
71	ADAPTER, BRONZE	189.001.227
73*	GASKET, CASE, BUNA	189.001.229
89*	7/8" SEALS:	
	TYPE 21, BN-CARB/CM	189.001.228
--	SEAL AND GASKET KIT:	
	BN-CARB/CM SEAL	189.001.261

\* DENOTES COMPONENTS INCLUDED IN SEAL AND GASKET KIT.

**Pump 48382 • Bronze • C56 Frame • 3500 RPM**



CONSTRUCTION OPTIONS		
KEY	PART NAME	ALL BRONZE
1	Case	Bronze
2	Impeller	Bronze
6	Shaft	Bronze
6A	Collar	Bronze
6H	Set Screw	Stainless
26	Cap Screw, Retainer	Stainless
26H	Lock Washer, Retainer	Stainless
30	Washer, Retainer	Bronze
32	Key	Stainless
71	Adapter	Bronze
73	Gasket, Case	Buna
89	Mechanical Seal, Type 21, BN-CARB/CM	Standard

F21734-1

F17

C48378