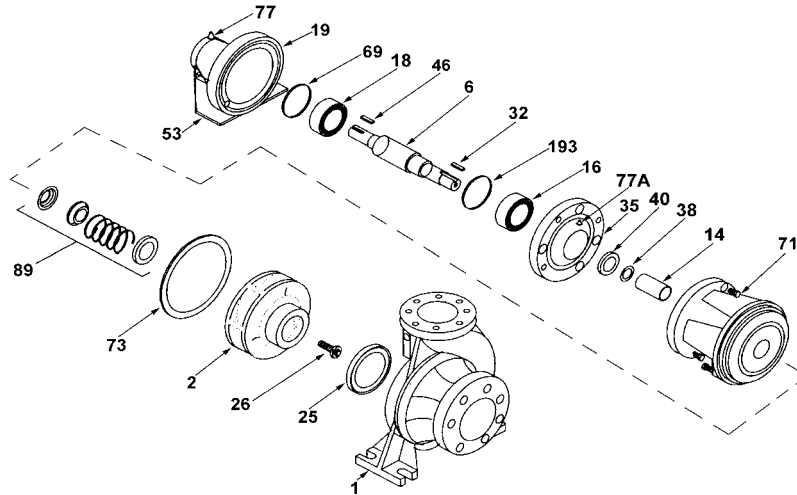


PUMP 103 • Iron • 1 3/8" Shaft • JP211



E1044

KEY NO.	PART NAME	PUMP NO. 103
1+	CASE, IRON, 4 x 2.5 FLG	130.000.309X
2	IMPELLER, 1 1/4" KEYED, ENCLOSED, SPECIFY DIAMETER: IRON	137.000.242
14*	SHAFT SLEEVE BRONZE STAINLESS	110.000.398 110.000.360
25	WEAR RING BRONZE STEEL	137.000.434 137.002.335
26*	IMPELLER RETAINER, STAINLESS	118.000.640
32*	KEY, STAINLESS	102.000.257
38*	O-RING, SHAFT BUNA VITON	116.000.218 116.000.218A
40*	FLINGER, STAINLESS	104.000.200
71	ADAPTER, IRON	132.000.378X
73*	GASKET, CASE	116.000.267
89*	1 1/4" SEALS: TYPE 21, BN-CARB/CM TYPE 21, VN-CARB/CM TYPE 21, VN-CARB/SIL TYPE 21, VN-SIL/SIL TYPE 21, EPDM-CARB/SIL TYPE 21, EPDM-SIL/SIL	101.000.196 101.000.216 101.000.221 101.000.231 101.000.196B 137.001.555
	BEARING FRAME ASS'Y CONSISTING OF:	JP211 118.000.417
6†	SHAFT, ASS'Y	135.000.264X
16	BEARING	103.000.210
18	BEARING	103.000.167
19	SHELL	137.000.411
35	END BELL	132.000.84
46†	KEY	102.000.270E
53	BASE	119.000.476A
69	WAVE SPRING	119.000.458
77	LUBE FITTING	102.000.201
77A	LUBE ELBOW	102.000.334
193	RETAINER	102.000.285
--	REPAIR KITS: TYPE 21, BN-CARB/CM TYPE 21, VN-CARB/CM (S) TYPE 21, VN-CARB/SIL TYPE 21, VN-SIL/SIL (S) TYPE 21, EPDM-CARB/SIL TYPE 21, EPDM-SIL/SIL	118.000.410 118.000.410G 118.000.410B 118.000.410H 118.000.410C 118.000.410E

* DENOTES COMPONENTS INCLUDED IN REPAIR KIT.
 THE REPAIR KITS INLCUDE THE BRONZE SHAFT SLEEVE EXCEPT THE (S) INDICATED,
 WHICH IS STAINLESS WITH VITON SHAFT O-RING.
 + INCLUDES BRONZE WEAR RING. FOR STEEL WEAR RING, REPLACE THE SUFFIX "X"
 WITH "X1"
 † DENOTES COMPONENTS INCLUDED WITH SHAFT ASSEMBLY