

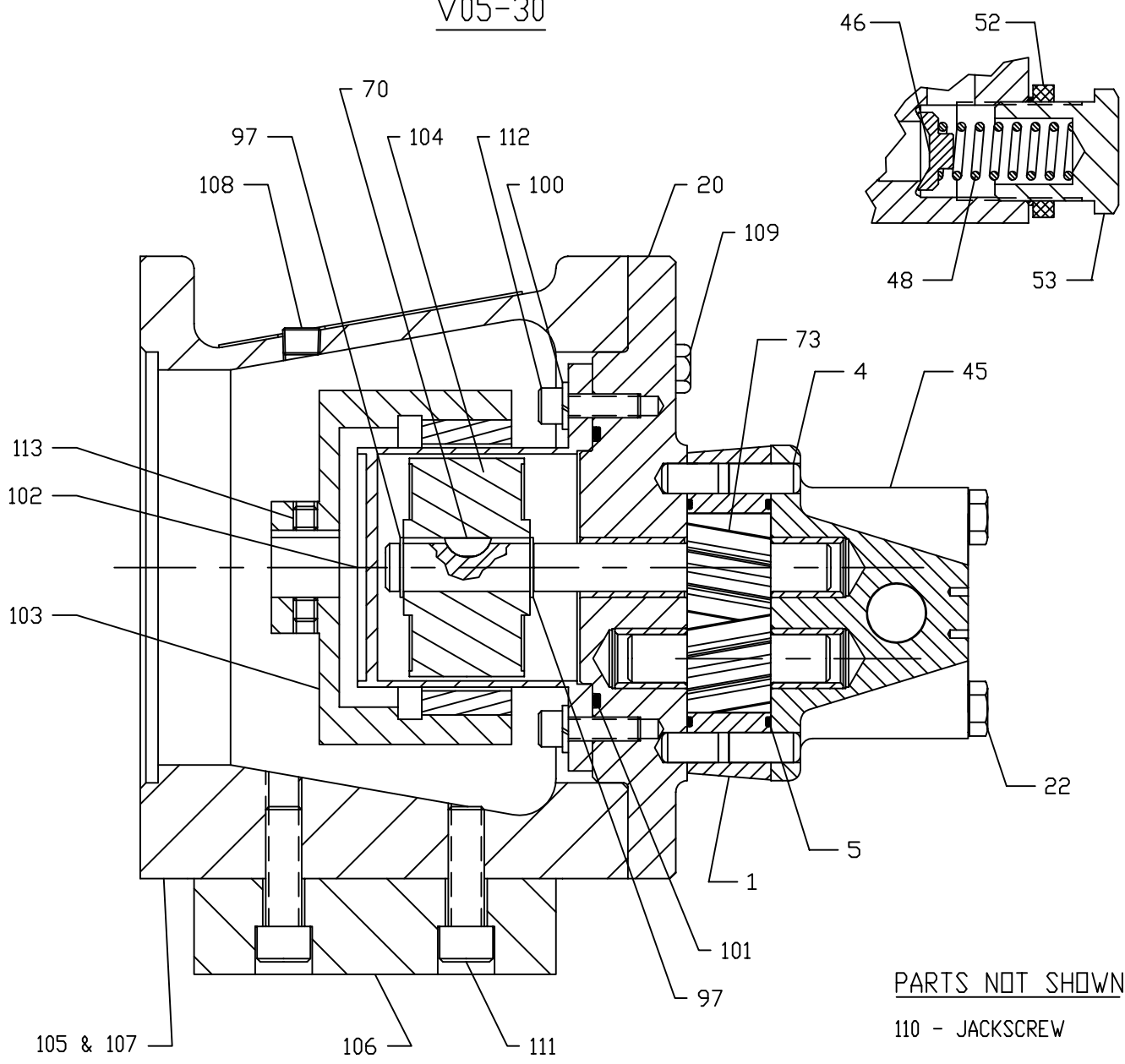
V05-V30

KEY NO.	DESCRIPTION	V05		V10		V20		V30	
		QTY	PART NO.	QTY	PART NO.	QTY	PART NO.	QTY	PART NO.
1	Case	1	P1-873-18	1	P1-801-18	1	P1-846-18	1	P1-839-18
4	Dowel Pin	2	G48-43	2	G48-59	4	G48-42	4	G48-42
5	"O" Ring, Case	2	G68-108	2	G68-108	2	G68-108	2	G68-108
20	Backplate Assy, Brz Brgs	1	N2-1279-18	1	N2-1279-18	1	N2-1279-18	1	N2-1279-18
22	Soc Hd Cap Screw, Plain	4	G45-031100	4	G45-031125	4	G45-031175	4	G49-031225
	Soc Hd Cap Screw, RV	4	G45-031100	4	G45-031125	4	G45-031175	4	G49-031400
45	Faceplate Assy, Plain, Brz Brgs	1	N3-590-18	1	N3-590-18	1	N3-590-18	1	N3-594-18
	Faceplate Assy, RV, Brz Brgs	1	N3-591-18	1	N3-591-18	1	N3-591-18	1	N3-595-18
46	Poppet	1	D16-113	1	D16-113	1	D16-113	1	D16-113
48	Spring, Std Press	1	G10-389	1	G10-389	1	G10-389	1	G10-389
	Spring, High Press	1	G10-390	1	G10-390	1	G10-390	1	G10-390
52	Nut, Lock & Seal	1	G33-31	1	G33-31	1	G33-31	1	G33-31
53	Adjusting Screw	1	D15-43	1	D15-43	1	D15-43	1	D15-43
70	Key, Drive	1	D30-80	1	D30-80	1	D30-80	1	D30-80
72	Drive Shaft & Gear	1	D2-1967	1	D2-1968	1	D2-1969	1	D2-1970
73	Idler Shaft & Gear	1	D2-1265	1	D2-1267	1	D2-1269	1	D2-1271
97	Ret Ring	2	G41-72	2	G41-72	2	G41-72	2	G41-72
100	Washer	6	G8-442	6	G8-442	6	G8-442	6	G8-442
101	"O" Ring	1	G68-107	1	G68-107	1	G68-107	1	G68-107
102	Containment Barrier	1	G31-980	1	G31-980	1	G31-980	1	G31-980
103	Outer Magnet Rotor	1	G31-981	1	G31-981	1	G31-981	1	G31-981
104	Inner Magnet Rotor	1	G31-982	1	G31-982	1	G31-982	1	G31-982
105	Bracket	1	P22-158	1	P22-158	1	P22-158	1	P22-158
106	Foot	1	D33-732	1	D33-732	1	D33-732	1	D33-732
107	Hex Hd Cap Screw	4	G49-037125	4	G49-037125	4	G49-037125	4	G49-037125
108	Pipe Plug	1	G56-21	1	G56-21	1	G56-21	1	G56-21
109	Hex Hd Cap Screw	4	G49-025100	4	G49-025100	4	G49-025100	4	G49-025100
110	Jackscrew	2	G49-103	2	G49-103	2	G49-103	2	G49-103
111	Soc Hd Cap Screw	4	G45-037125	4	G45-037125	4	G45-037125	4	G45-037125
112	Soc Hd Cap Screw	6	G45-025075	6	G45-025075	6	G45-025075	6	G45-025075
113	Set Screw	2	G62-16	2	G62-16	2	G62-16	2	G62-16

Backplate Assy includes Brz Brgs: (3) G5-610

Faceplate Assy includes Brz Brgs: (2) G5-610

V05-30



PARTS NOT SHOWN:

110 - JACKSCREW