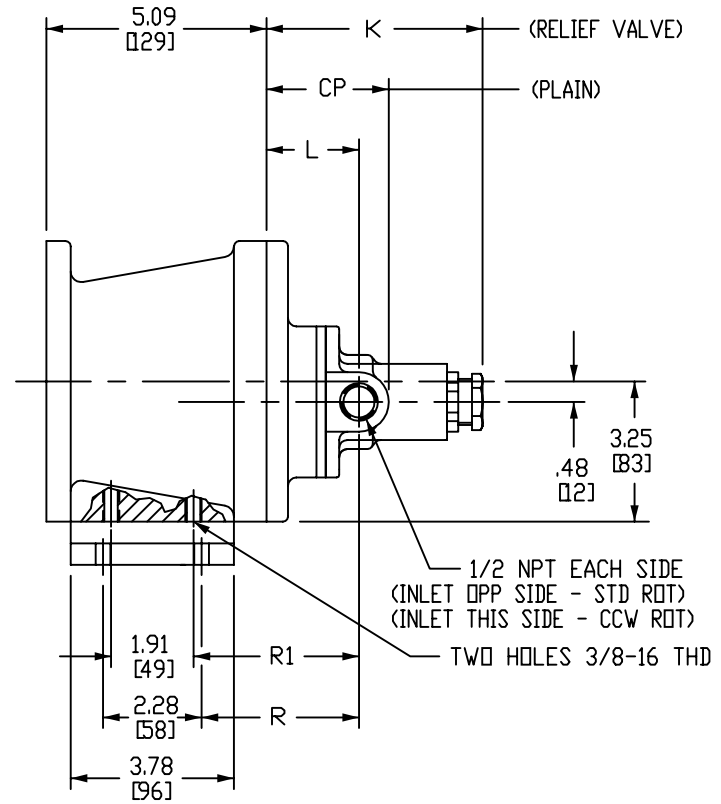
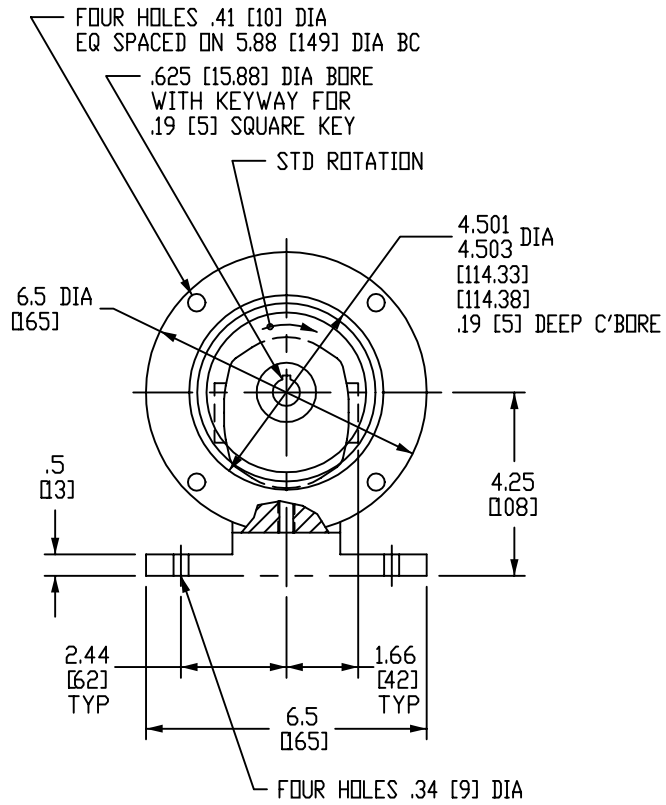


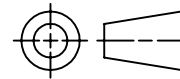
# V05-V20



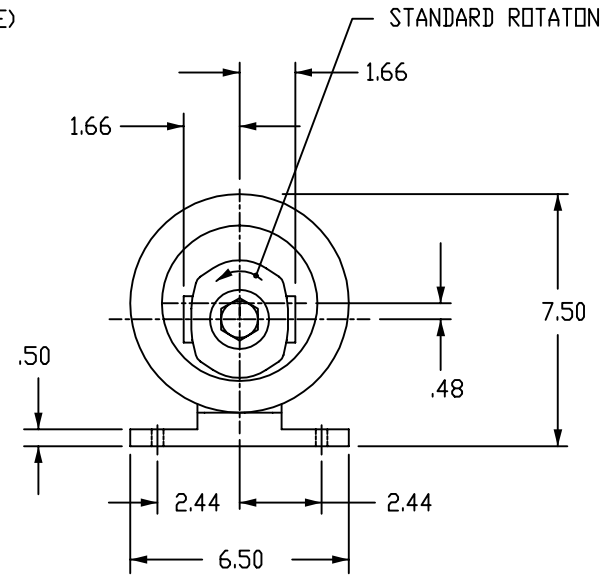
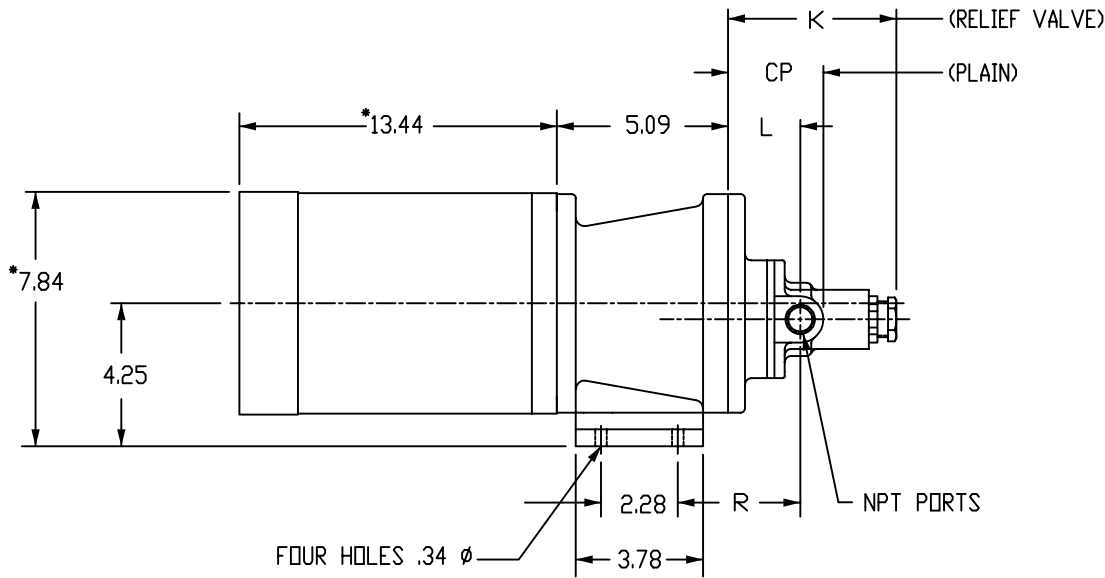
PUMP	CP	K	L	R	R1
V05	2.83 [72]	5.00 [127]	2.14 [54]	3.64 [92]	3.83 [97]
V10	3.05 [78]	5.23 [133]	2.36 [60]	3.86 [98]	4.05 [103]
V20	3.49 [89]	5.67 [144]	2.80 [71]	4.30 [109]	4.49 [114]

DO NOT SCALE  
DIMS IN INCHES [MM]

PROJECTION



# V05-V20



✓ = UNIT SELECTED  
 DIMENSIONS IN INCHES  
 WEIGHTS IN POUNDS

\*DIMENSIONS AND MOTOR WEIGHTS WILL VARY BASED ON  
 MOTOR MANUFACTURER AND TYPE. CHART DIMENSIONS  
 AND MOTOR WEIGHTS BASED ON TEFC 3 PHASE MOTORS.

RV = RELIEF VALVE

✓	PUMP	PORTS	CP	K	L	R	PUMP WEIGHT
	05	1/2" NPT	2.83	5.00	2.14	3.64	12
	10	1/2" NPT	3.05	5.23	2.36	3.86	13
	20	1/2" NPT	3.49	5.67	2.80	4.30	14

✓	MOTOR FRAME	*MOTOR WEIGHT	BRACKET/CPLG/HARDWARE WEIGHT
	56C	42	25
	143TC	57	
	145TC	64	



ROPER PUMP COMPANY  
 P.O. BOX 269  
 3475 OLD MAYSVILLE RD  
 COMMERCE, GEORGIA 30529 U.S.A.

TELEPHONE: (706) 335-5551  
 TELEFAX: (706) 335-5505

DATE: \_\_\_\_\_

PUMP NO.: \_\_\_\_\_

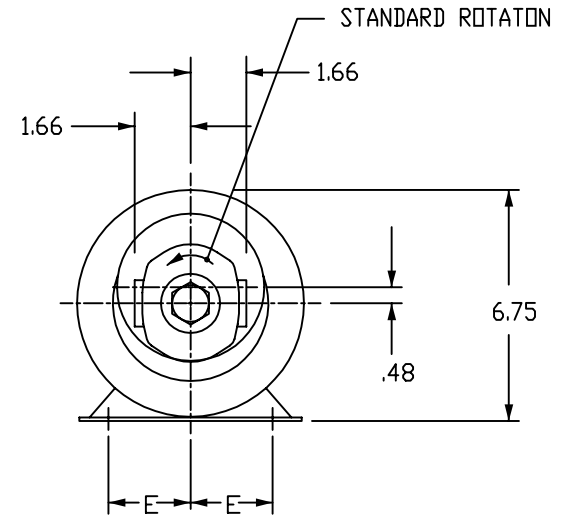
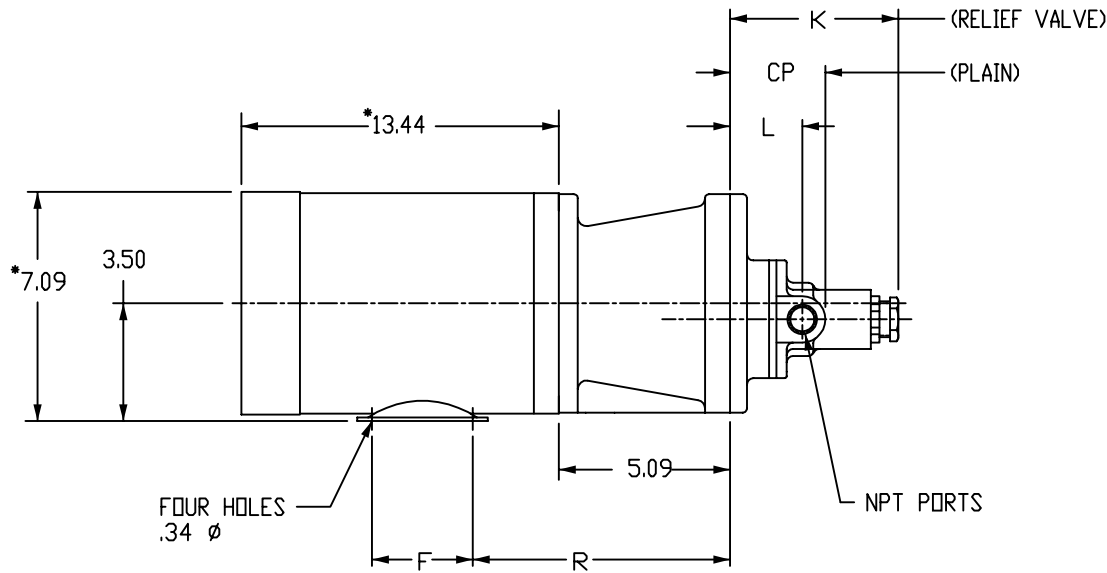
ROPER NO.: \_\_\_\_\_

CUSTOMER: \_\_\_\_\_

CUSTOMER NO.: \_\_\_\_\_

SERVICE: \_\_\_\_\_

# V05-V20



✓	PUMP	PORTS	CP	K	L	PUMP WEIGHT
	05	1/2" NPT	2.83	5.00	2.14	12
	10	1/2" NPT	3.05	5.23	2.36	13
	20	1/2" NPT	3.49	5.67	2.80	14

✓ = UNIT SELECTED  
 DIMENSIONS IN INCHES  
 WEIGHTS IN POUNDS

\*DIMENSIONS AND MOTOR WEIGHTS WILL VARY BASED ON MOTOR MANUFACTURER AND TYPE. CHART DIMENSIONS AND MOTOR WEIGHTS BASED ON TEFC 3 PHASE MOTORS.

RV = RELIEF VALVE

✓	MOTOR FRAME	*MOTOR WEIGHT	BRACKET/CPLG/HARDWARE WEIGHT	E	F	R
	56C	42	25	2.44	3.00	7.65
	143TC	57		2.75	4.00	7.97
	145TC	64		5.00		



ROPER PUMP COMPANY  
 P.O. BOX 269  
 3475 OLD MAYSVILLE RD  
 COMMERCE, GEORGIA 30529 U.S.A.

TELEPHONE: (706) 335-5551  
 TELEFAX: (706) 335-5505

DATE: \_\_\_\_\_

PUMP NO.: \_\_\_\_\_

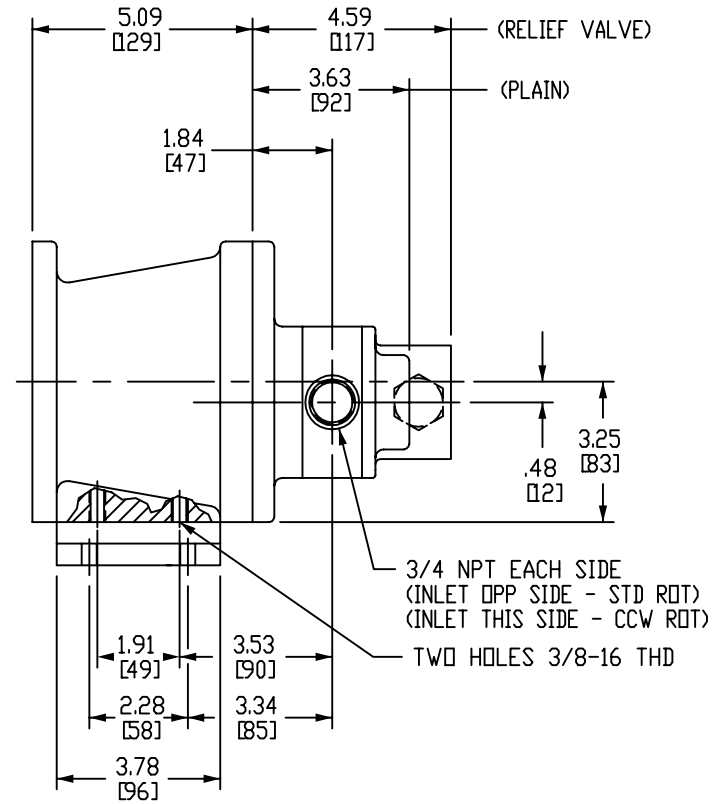
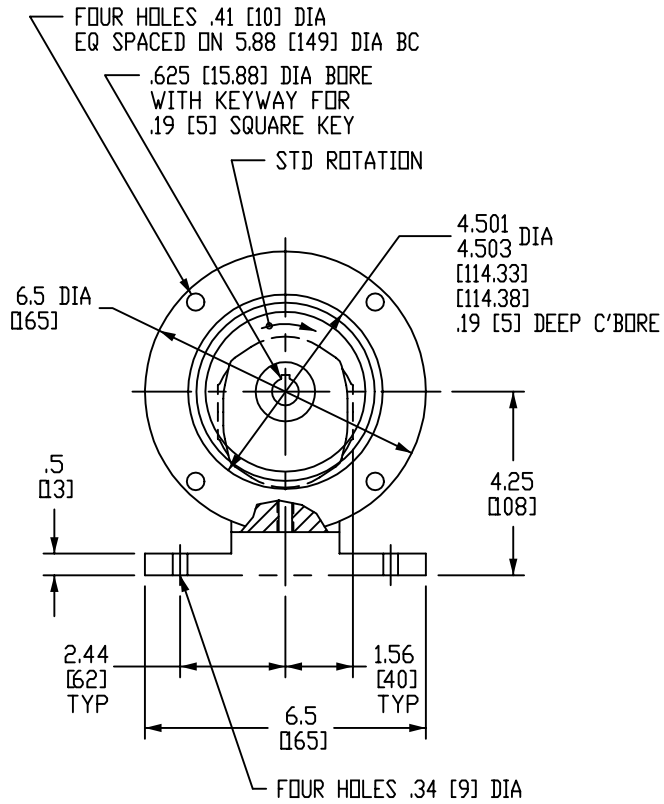
ROPER NO.: \_\_\_\_\_

CUSTOMER: \_\_\_\_\_

CUSTOMER NO.: \_\_\_\_\_

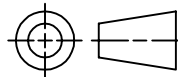
SERVICE: \_\_\_\_\_

V30

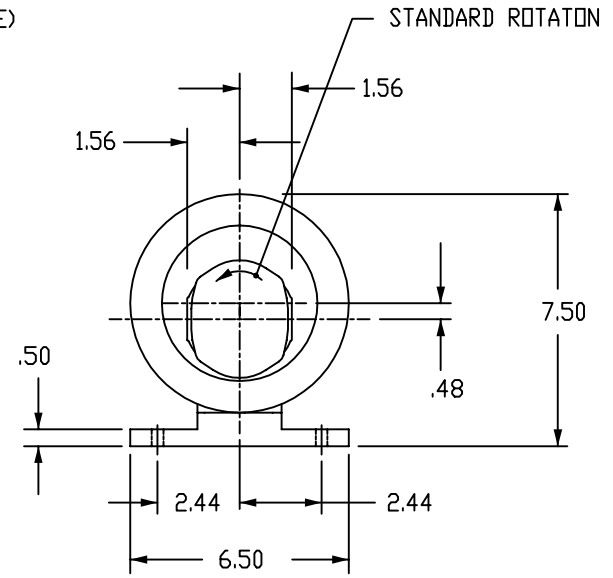
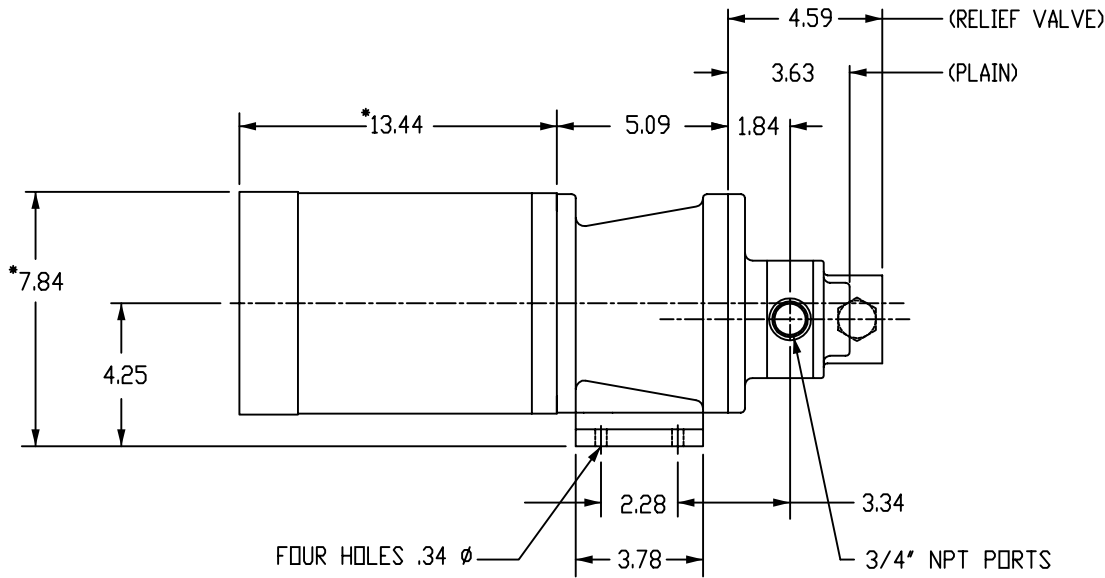


DO NOT SCALE  
DIMS IN INCHES [MM]

PROJECTION



# V30



FOUR HOLES .34  $\phi$

(RELIEF VALVE)

(PLAIN)

STANDARD ROTATION

3/4" NPT PORTS

✓ = UNIT SELECTED  
DIMENSIONS IN INCHES  
WEIGHTS IN POUNDS

\*DIMENSIONS AND MOTOR WEIGHTS WILL VARY BASED ON MOTOR MANUFACTURER AND TYPE. CHART DIMENSIONS AND MOTOR WEIGHTS BASED ON TEFC 3 PHASE MOTORS.

RV = RELIEF VALVE

PUMP WEIGHT = 15 LBS

✓	MOTOR FRAME	*MOTOR WEIGHT	BRACKET/CPLG/HARDWARE WEIGHT
	56C	42	25
	143TC	57	
	145TC	64	



ROPER PUMP COMPANY  
P.O. BOX 269  
3475 OLD MAYSVILLE RD  
COMMERCE, GEORGIA 30529 U.S.A.

TELEPHONE: (706) 335-5551  
TELEFAX: (706) 335-5505

DATE: \_\_\_\_\_

PUMP NO.: \_\_\_\_\_

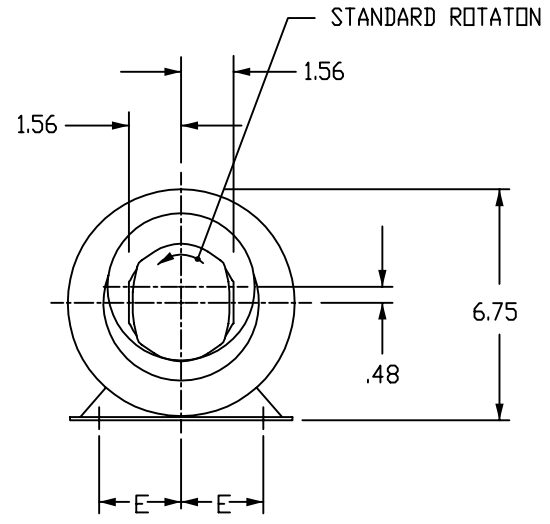
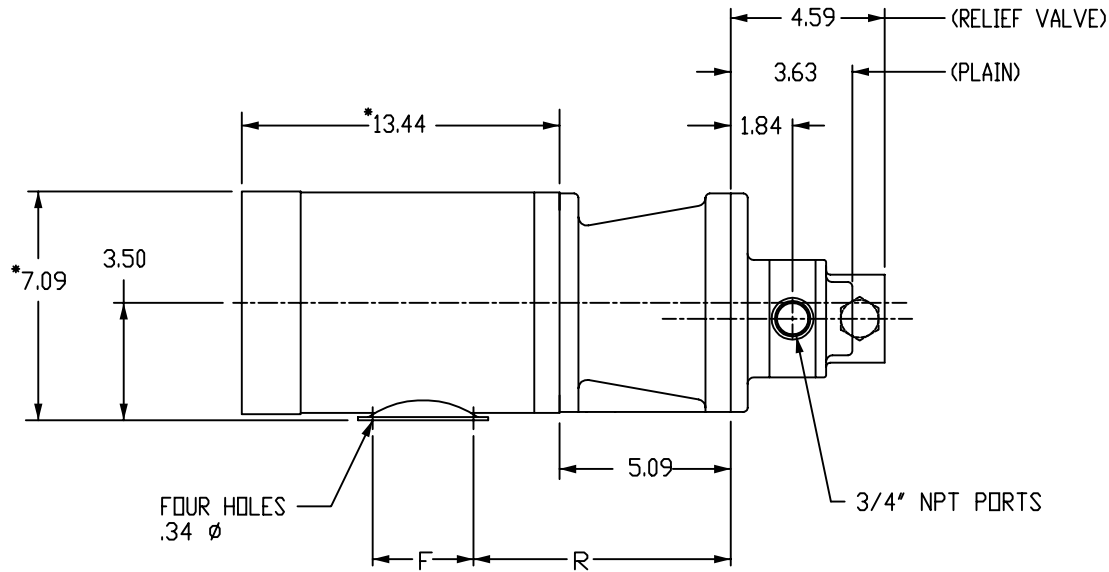
ROPER NO.: \_\_\_\_\_

CUSTOMER: \_\_\_\_\_

CUSTOMER NO.: \_\_\_\_\_

SERVICE: \_\_\_\_\_

# V30



✓ = UNIT SELECTED  
 DIMENSIONS IN INCHES  
 WEIGHTS IN POUNDS  
 \*DIMENSIONS AND MOTOR WEIGHTS WILL VARY BASED ON  
 MOTOR MANUFACTURER AND TYPE. CHART DIMENSIONS  
 AND MOTOR WEIGHTS BASED ON TEFC 3 PHASE MOTORS.  
 RV = RELIEF VALVE  
 PUMP WEIGHT = 15 LBS

✓	MOTOR FRAME	*MOTOR WEIGHT	BRACKET/CPLG/HARDWARE WEIGHT	E	F	R
	56C	42	25	2.44	3.00	7.65
	143TC	57		2.75	4.00	7.97
	145TC	64			5.00	



ROPER PUMP COMPANY  
 P.O. BOX 269  
 3475 OLD MAYSVILLE RD  
 COMMERCE, GEORGIA 30529 U.S.A.

TELEPHONE: (706) 335-5551  
 TELEFAX: (706) 335-5505

DATE: \_\_\_\_\_  
 PUMP NO.: \_\_\_\_\_  
 ROPER NO.: \_\_\_\_\_  
 CUSTOMER: \_\_\_\_\_  
 CUSTOMER NO.: \_\_\_\_\_  
 SERVICE: \_\_\_\_\_