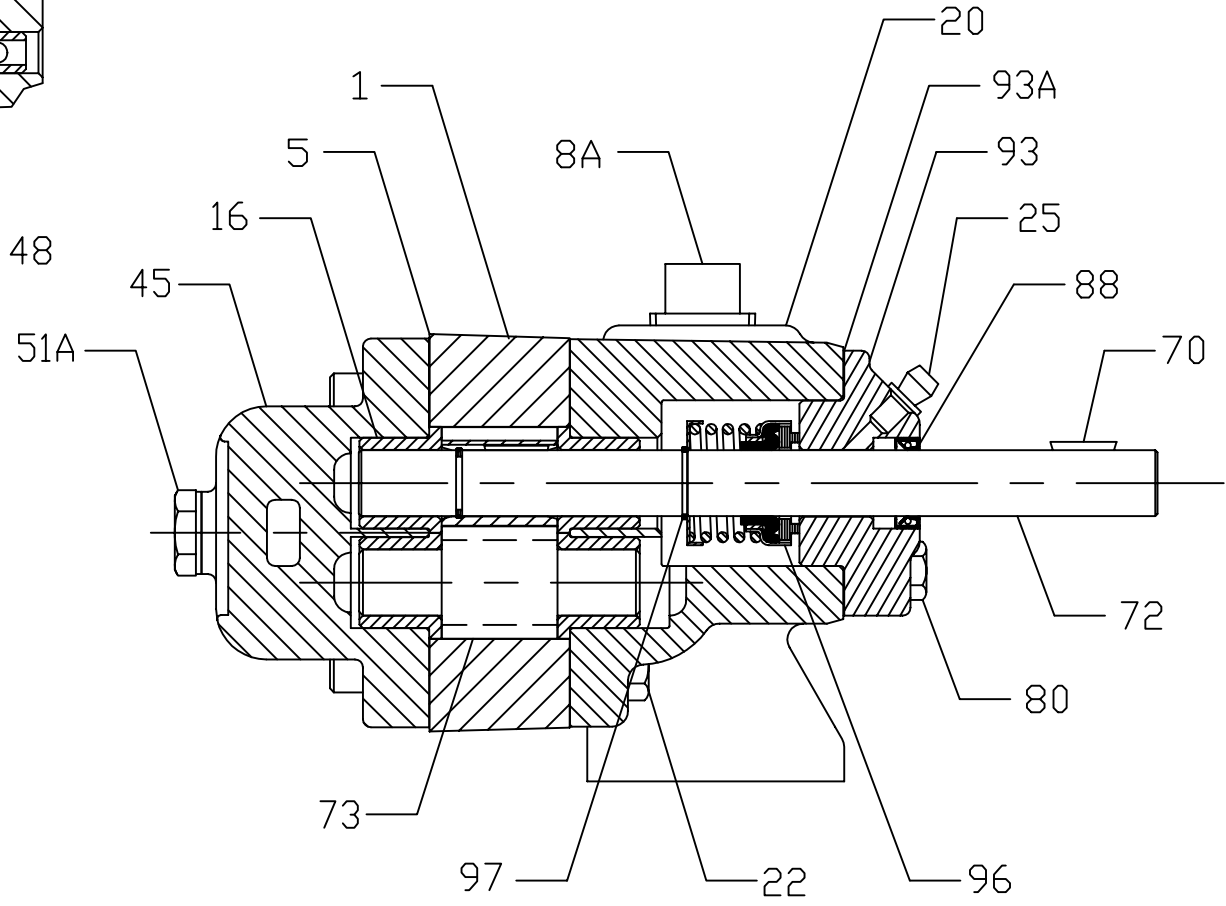
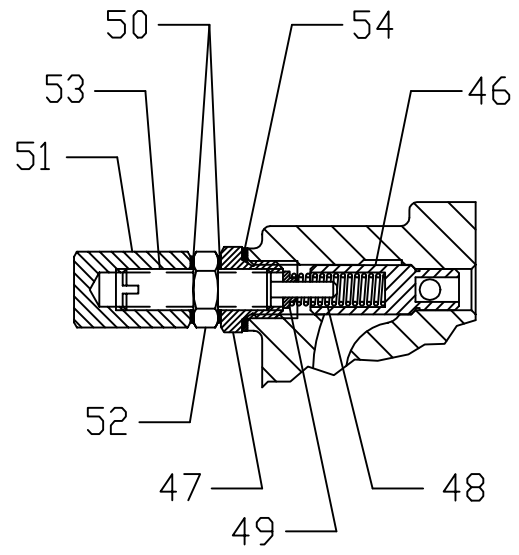


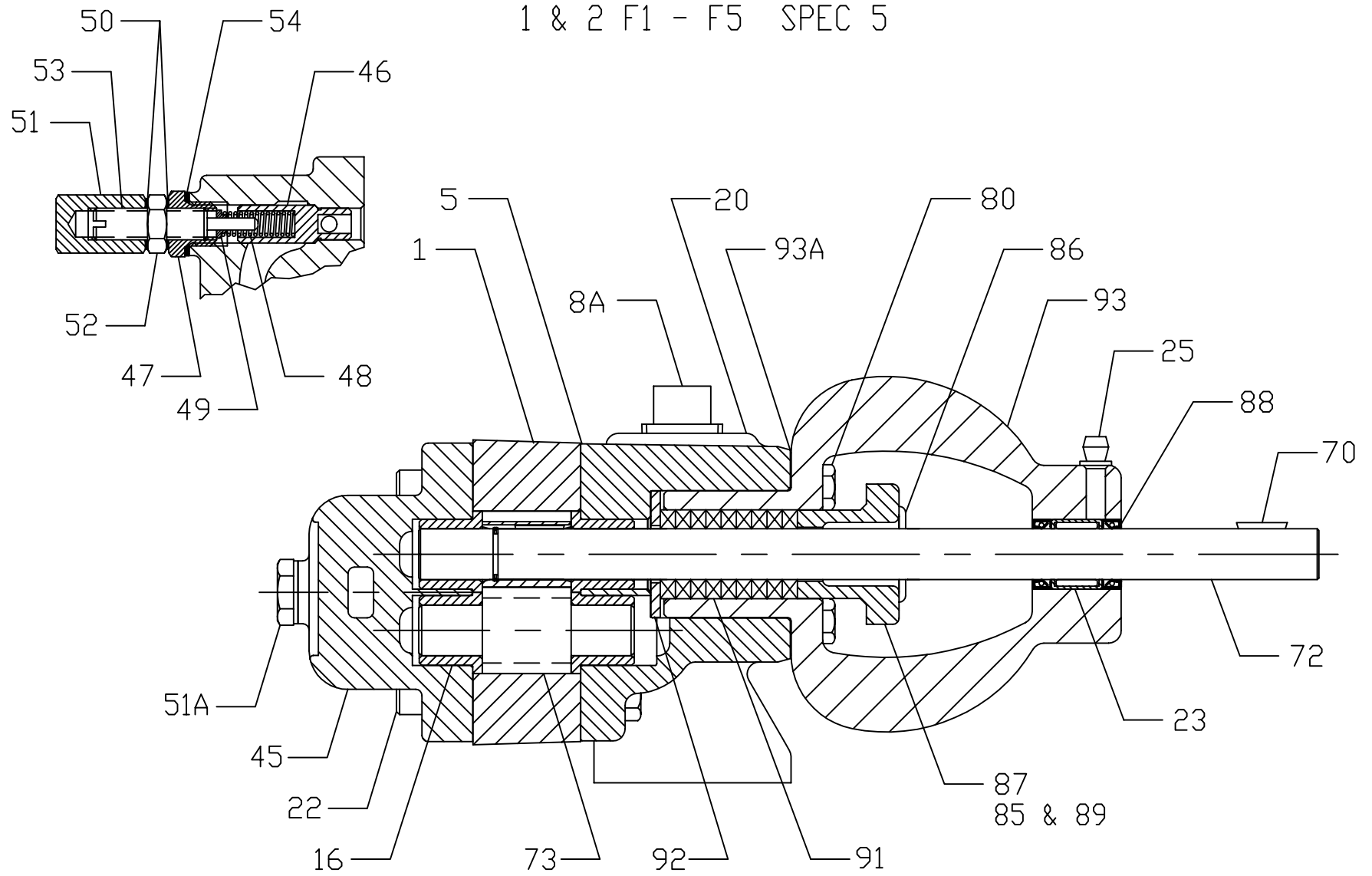
1, 2, 17, 18 F1-F5 SPEC 0 & SPEC 5

KEY NO.	DESCRIPTION	F1		F3		F5	
		QTY	PART NO.	QTY	PART NO.	QTY	PART NO.
1	Case Assy	1	N22-171	1	N22-170	1	N22-169
5	Case Gasket	2	D11-17	2	D11-18	2	D11-19
8A	Pipe Plug, Foot Mtd BP	2	G56-14	2	G56-14	2	G56-14
16	Bearing	4	G5-17	4	G5-18	4	G5-19
20	Backplate, Foot Mtd	1	P2-641	1	P2-642	1	P2-643
	Backplate, Flg Mtd	1	P2-657	1	P2-658	1	P2-659
22	Hex Hd Cap Screw, Plain	8	G49-025175	8	G49-025225	8	G49-025225
	Soc Hd Cap Screw, RV	8	G45-025150	8	G45-025225	8	G45-025225
23	Needle Brg, Pkg	1	G40-62	1	G40-62	1	G40-62
25	Lube Ftg	1	G63-1	1	G63-1	1	G63-1
45	Faceplate, Plain	1	P3-17	1	P3-18	1	P3-19
	Faceplate, RV	1	P3-161	1	P3-162	1	P3-163
46	Poppet	1	D16-50	1	D16-125	1	D16-52
47	Bonnet	1	D19-1	1	D19-1	1	D19-3
48	Spring (75 PSI)	1	G10-97	1	G10-97	1	G10-196
	Spring (150 PSI)	1	G10-99	1	G10-99	1	G10-212
	Spring (300 PSI)	1	G10-113	1	G10-113	1	G10-228
49	Spring Guide	1	N/A	1	N/A	1	D8-83
50	Gasket, RV Cap	2	G11-101	2	G11-101	2	G11-101
51	RV Cap	1	D20-4	1	D20-4	1	D20-4
51A	Plug Cap	1	D21-1	1	D21-1	1	D21-3
52	Nut	1	G44-29	1	G44-29	1	G44-29
53	Adjusting Screw	1	D15-1	1	D15-1	1	D15-3
54	Gasket, RV	2	D11-295	2	D11-295	2	G11-100
70	Key, Drive	1	D30-80	1	D30-80	1	D30-80
72	Drive Shaft & Gear, Mech Seal	1	N1-126	1	N1-127	1	N1-128
	Drive Shaft & Gear, Pkg	1	N1-120	1	N1-121	1	N1-122
73	Idler Shaft & Gear	1	D2-862	1	D2-855	1	D2-852
80	Hex Hd Cap Screw, Mech Seal	4	G49-019050	4	G49-019050	4	G49-019050
	Hex Hd Cap Screw, Pkg	4	G49-019062	4	G49-019062	4	G49-019062
85	Nut, Pkg	4	G44-28	4	G44-28	4	G44-28
86	Pkg Gland Clip	2	D42-9	2	D42-9	2	D42-9
87	Pkg Gland	1	P10-15	1	P10-15	1	P10-15
88	Lip Seal, Mech Seal	1	D83-30	1	D83-30	1	D83-30
	Lip Seal, Pkg	2	D83-30	2	D83-30	2	D83-30
89	Stud, Pkg	2	D22-69	2	D22-69	2	D22-69
91	Pkg Set	1	N43-10	1	N43-10	1	N43-10
92	Pkg Washer	1	D8-162	1	D8-162	1	D8-162
93	Brg Cage, Mech Seal	1	P4-39	1	P4-39	1	P4-39
	Pkg Housing, Pkg	1	P9-12	1	P9-12	1	P9-12
93A	Gasket	1	D11-34	1	D11-34	1	D11-34
96	Mech Seal	1	G14-263	1	G14-263	1	G14-263
97	Ret Ring	1	G41-72		N/A		N/A

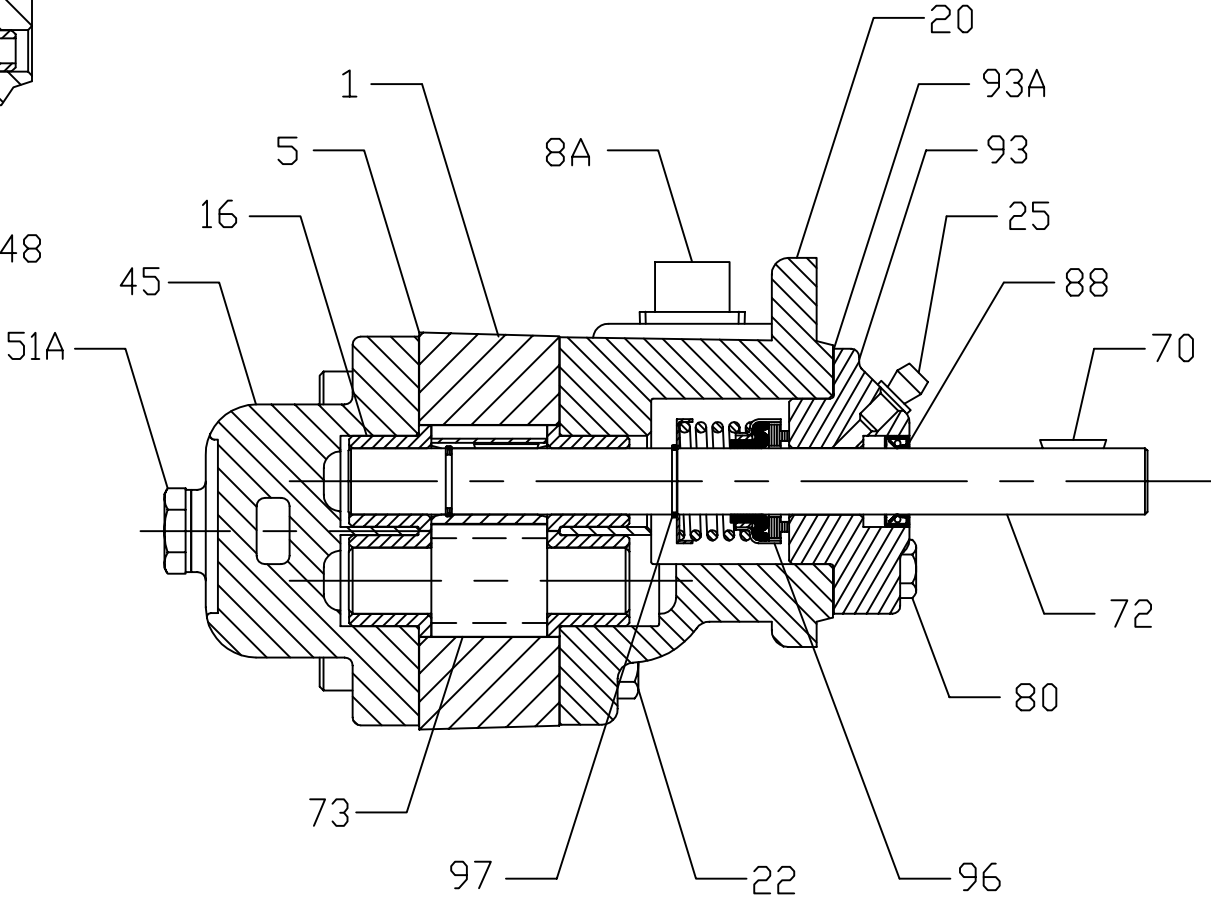
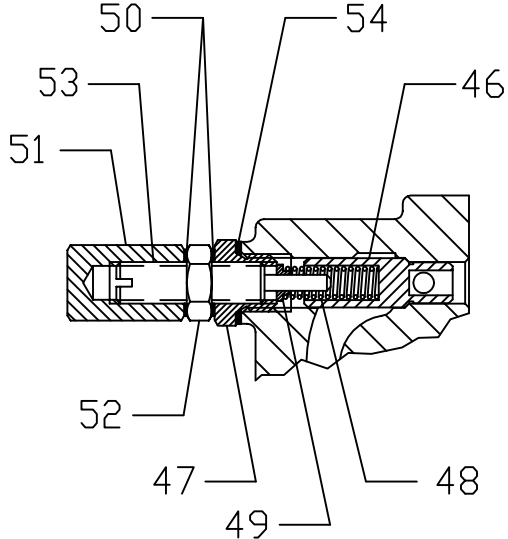
1 & 2 F1 - F5 SPEC 0



1 & 2 F1 - F5 SPEC 5



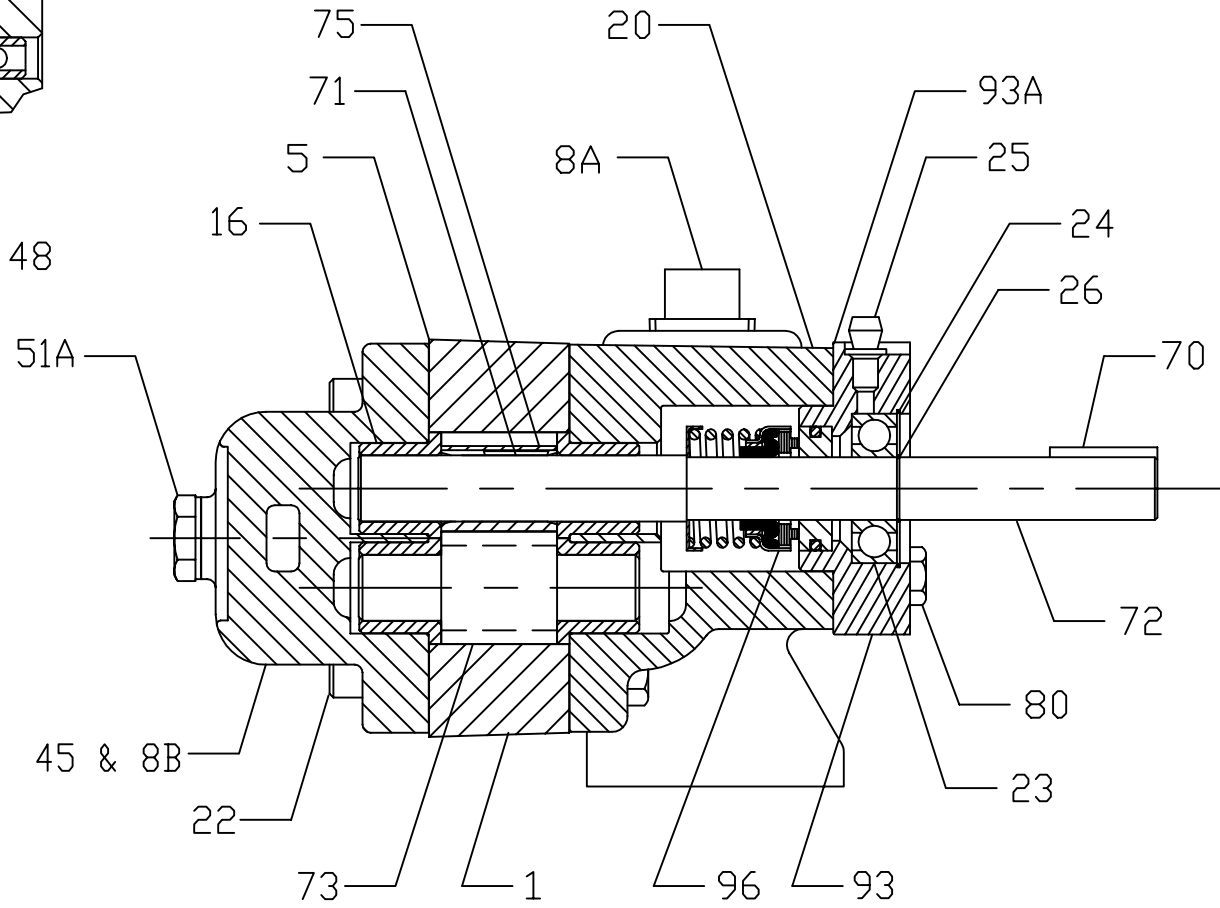
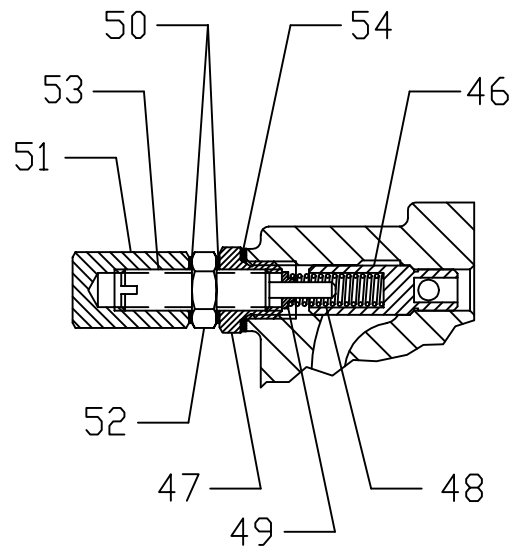
17 & 18 F1 - F5 SPEC 0



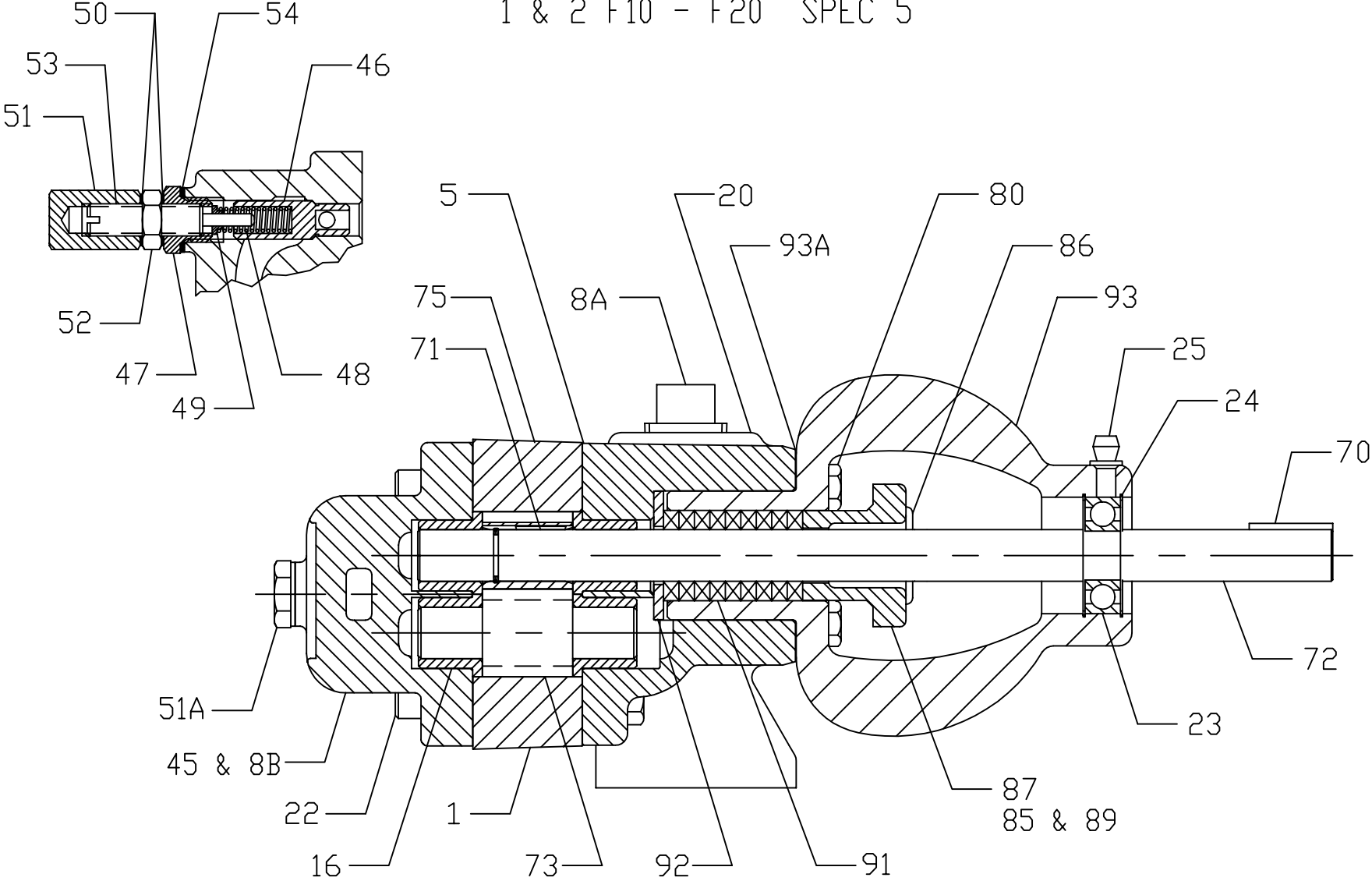
1, 2, 17, 18 F10-F20 SPEC 0 & SPEC 5

KEY NO.	DESCRIPTION	F10		F15		F20	
		QTY	PART NO.	QTY	PART NO.	QTY	PART NO.
1	Case Assy	1	N22-168	1	P1-160	1	P1-161
5	Case Gasket	2	D11-20	2	D11-22	2	D11-22
8A	Pipe Plug, Backplate	2	G56-15	2	G56-17	2	G56-17
8B	Pipe Plug, RV	1	G56-11	1	G56-11	1	G56-11
8C	Pipe Plug, Pkg	1	G56-11		N/A		N/A
8D	Pipe Plug, Flg Mtd BP	1	G56-21	1	G56-21	1	G56-21
16	Bearing	4	G5-324	4	G5-326	4	G5-326
20	Backplate, Foot Mtd	1	P2-292	1	P2-294	1	P2-294
	Backplate, Flg Mtd	1	P2-164	1	P2-166	1	P2-166
22	Hex Hd Cap Screw, Plain	12	G49-025275	12	G49-031300	12	G49-031325
	Soc Hd Cap Screw, RV	12	G45-025275	12	G49-031300	12	G49-031325
23	Ball Brg, Mech Seal	1	G40-40	1	G40-36	1	G40-36
	Ball Brg, Pkg	1	G40-38	1	G40-36	1	G40-36
24	Ret Ring, Brg (Mech Seal)	1	G41-13	1	G41-11	1	G41-11
	Ret Ring, Brg (Pkg)	2	G41-11	2	G41-11	2	G41-11
25	Lube Ftg	1	G63-2	1	G63-2	1	G63-2
26	Ret Ring	1	G41-14		N/A		N/A
45	Faceplate, Plain	1	P3-20	1	P3-22	1	P3-22
	Faceplate, RV	1	P3-164	1	P3-166	1	P3-166
46	Poppet	1	D16-52	1	D16-54	1	D16-54
47	Bonnet	1	D19-3	1	P14-6	1	P14-6
48	Spring (75 PSI)	1	G10-196	1	G10-198	1	G10-198
	Spring (150 PSI)	1	G10-212	1	G10-214	1	G10-214
	Spring (300 PSI)	1	G10-228	1	G10-230	1	G10-230
49	Spring Guide	1	D8-83	1	D8-86	1	D8-86
50	Gasket, RV Cap	2	G11-101	2	G11-101	2	G11-101
51	RV Cap	1	D20-4	1	P15-6	1	P15-6
51A	Plug Cap	1	D21-3	1	P17-6	1	P17-6
52	Nut	1	G44-29	1	G44-29	1	G44-29
53	Adjusting Screw	1	D15-3	1	D15-6	1	D15-6
54	Gasket, RV	2	G11-100	3	G11-2	3	G11-2
70	Key, Drive	1	D30-5	1	D30-5	1	D30-5
71	Key, Gear	1	D30-62	1	D30-67	1	D30-67
72	Drive Shaft, Mech Seal	1	D1-1223	1	D1-1225	1	D1-1227
	Drive Shaft, Pkg	1	D1-1222	1	D1-1224	1	D1-1226
73	Idler Shaft & Gear	1	D2-861	1	D2-859	1	D2-854
75	Gear, RH	1	D6-228	1	D6-227	1	D6-230
80	Soc Hd Cap Screw, Mech Seal	4	G45-025100		N/A		N/A
	Hex Hd Cap Screw, Mech Seal		N/A	6	G49-025150	6	G49-025150
	Hex Hd Cap Screw, Pkg	4	G49-025075	4	G49-025100	4	G49-025100
85	Nut, Pkg	4	G44-28	6	G44-28	6	G44-28
86	Pkg Gland Clip	2	D42-9	2	D42-9	2	D42-9
87	Pkg Gland	1	P10-184	1	P10-185	1	P10-185
89	Stud, Pkg	2	D22-22	2	D22-21	2	D22-21
91	Pkg Set	1	N43-11	1	N43-12	1	N43-12
92	Pkg Washer	1	D8-7	1	D8-8	1	D8-8
93	Brg Cage, Mech Seal	1	P4-70	1	P4-71	1	P4-71
	Pkg Housing, Pkg	1	P9-308	1	P9-309	1	P9-309
93A	Gasket	1	D11-116	1	D11-117	1	D11-117
96	Mech Seal	1	G14-226	1	G14-226	1	G14-226

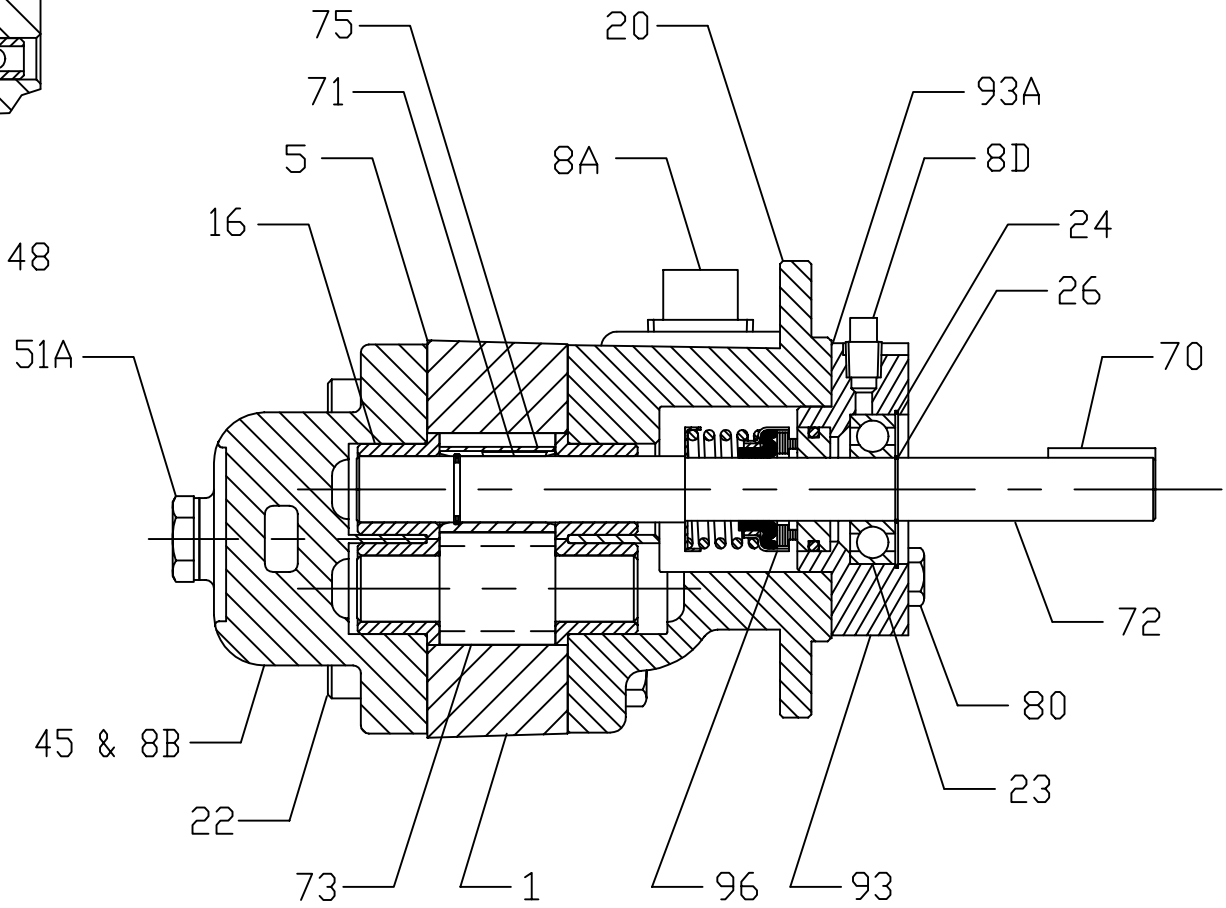
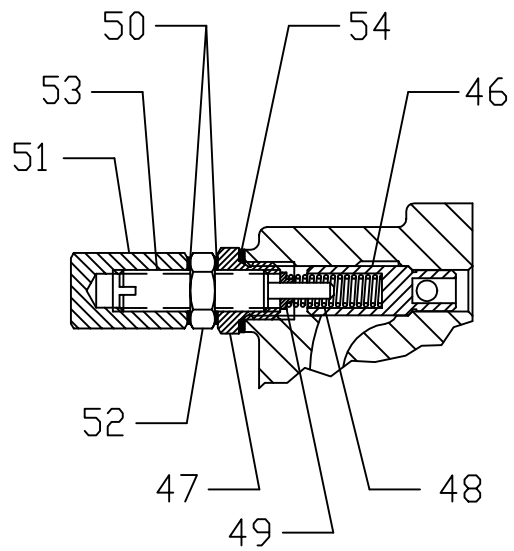
1 & 2 F10 - F20 SPEC 0



1 & 2 F10 - F20 SPEC 5



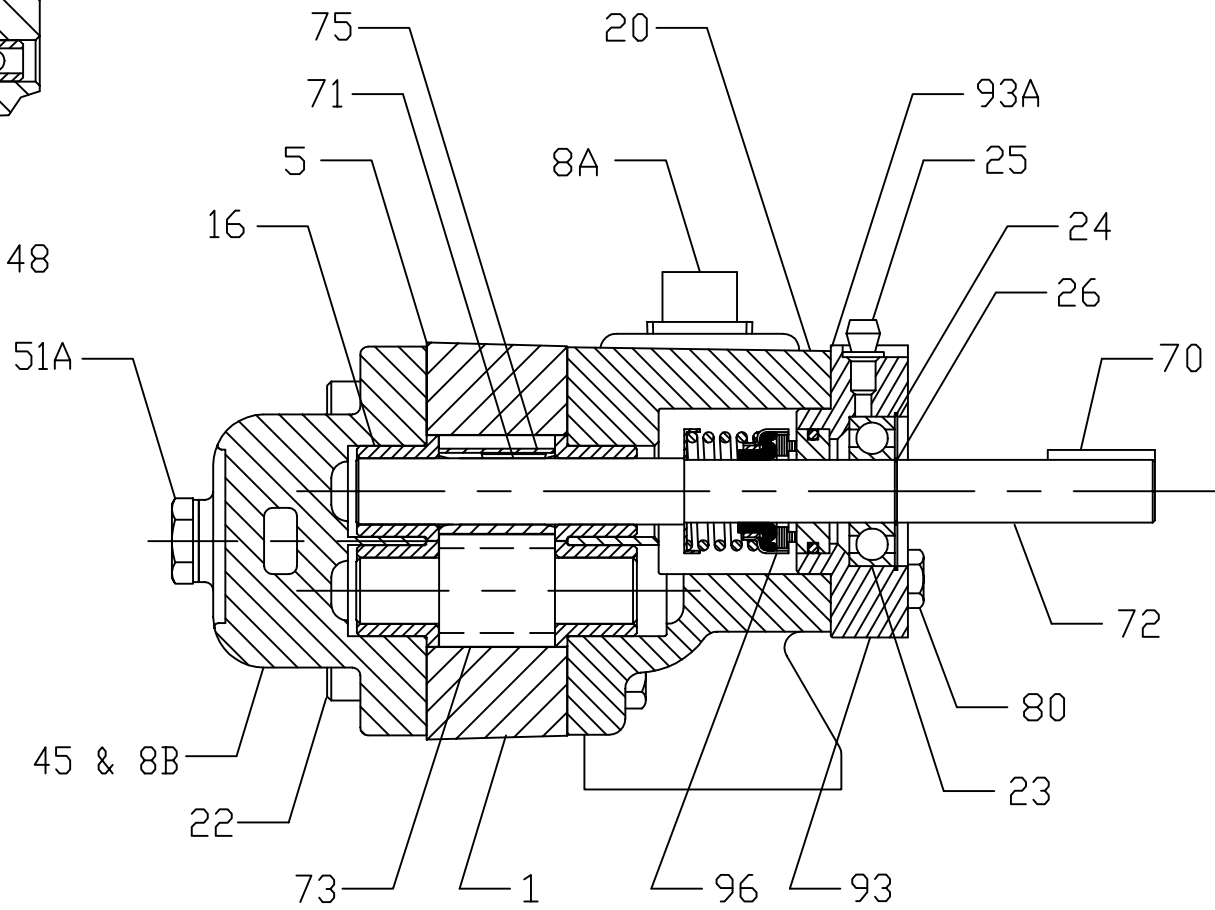
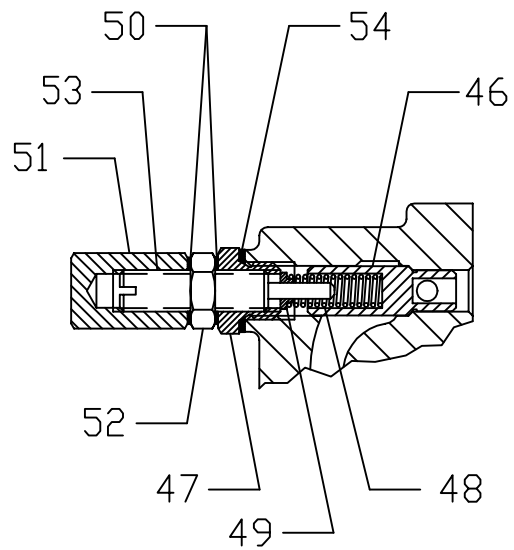
17 & 18 F10 - F20 SPEC 0



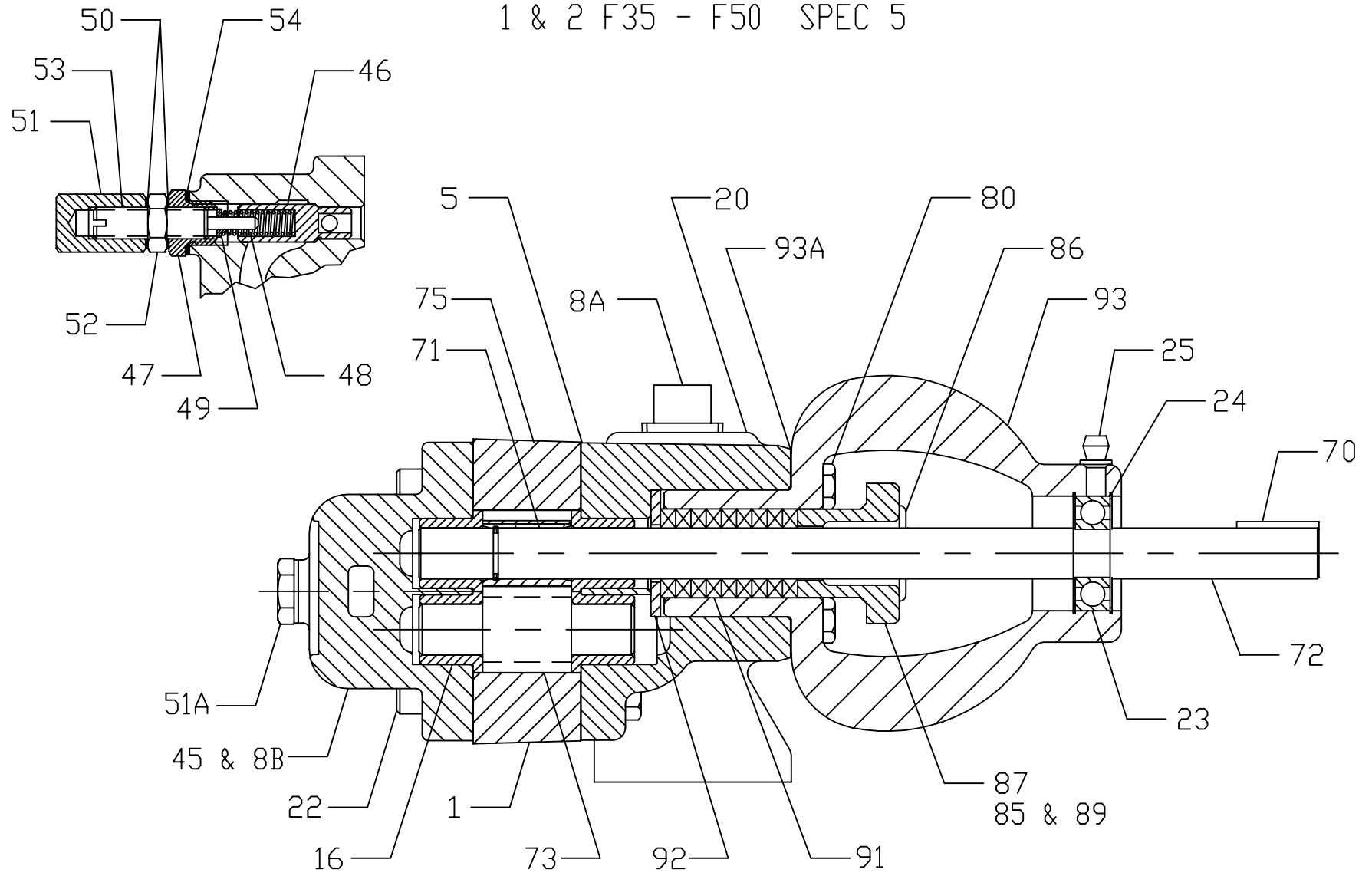
1, 2, 17, 18 F35-F50 SPEC 0 & SPEC 5

KEY NO.	DESCRIPTION	F35		F50	
		QTY	PART NO.	QTY	PART NO.
1	Case	1	P1-162	1	P1-167
5	Case Gasket	2	D11-23	2	D11-24
8A	Pipe Plug, Backplate	2	G56-18	2	G56-19
8B	Pipe Plug, RV	1	G56-11	1	G56-11
8D	Pipe Plug, Flg Mtd BP	1	G56-21	1	G56-21
16	Bearing	4	G5-327	4	G5-328
20	Backplate, Foot Mtd	1	P2-295	1	P2-296
	Backplate, Flg Mtd	1	P2-167	1	P2-168
22	Hex Hd Cap Screw, Plain	12	G49-037450	12	G49-037475
	Soc Hd Cap Screw, RV	12	G49-037450	12	G49-037475
23	Ball Brg	1	G40-33	1	G40-41
24	Ret Ring, Brg (Mech Seal)	1	G41-10	1	G41-10
	Ret Ring, Brg (Pkg)	2	G41-10	2	G41-10
25	Lube Ftg	1	G63-2	1	G63-2
45	Faceplate, Plain	1	P3-23	1	P3-24
	Faceplate, RV	1	P3-167	1	P3-168
46	Poppet	1	D16-55	1	D16-56
47	Bonnet	1	P14-7	1	P14-8
48	Spring (75 PSI)	1	G10-199	1	G10-200
	Spring (150 PSI)	1	G10-215	1	G10-216
	Spring (300 PSI)	1	G10-231	1	G10-232
49	Spring Guide	1	D8-87	1	D8-87
50	Gasket, RV Cap	1	D11-295	1	D11-295
51	RV Cap	1	P15-7	1	P15-8
51A	Plug Cap	1	P17-68	1	P17-8
52	Nut	1	G44-31	1	G44-31
53	Adjusting Screw	1	D15-7	1	D15-7
54	Gasket, RV	3	D11-262	3	G11-104
70	Key, Drive	1	D30-6	1	D30-10
71	Key, Gear	1	D30-66	1	D30-68
72	Drive Shaft, Mech Seal	1	D1-1214	1	D1-1230
	Drive Shaft, Pkg	1	D1-1215	1	D1-1228
73	Idler Shaft & Gear	1	N1-462	1	N1-463
75	Gear, RH	1	D6-231	1	D6-232
80	Hex Hd Cap Screw, Mech Seal	6	G49-031175	6	G49-031175
	Hex Hd Cap Screw, Pkg	4	G49-031100	4	G49-031125
85	Nut, Pkg	6	G44-29	6	G44-29
86	Pkg Gland Clip	2	D42-10	2	D42-10
87	Pkg Gland	1	P10-186	1	P10-187
89	Stud, Pkg	2	D22-15	2	D22-15
91	Pkg Set	1	N43-13	1	N43-14
92	Pkg Washer	1	D8-3	1	D8-9
93	Brg Cage, Mech Seal	1	P4-72	1	P4-73
	Pkg Housing, Pkg	1	P9-306	1	P9-310
93A	Gasket	1	D11-39	1	D11-120
96	Mech Seal	1	G14-227	1	G14-338

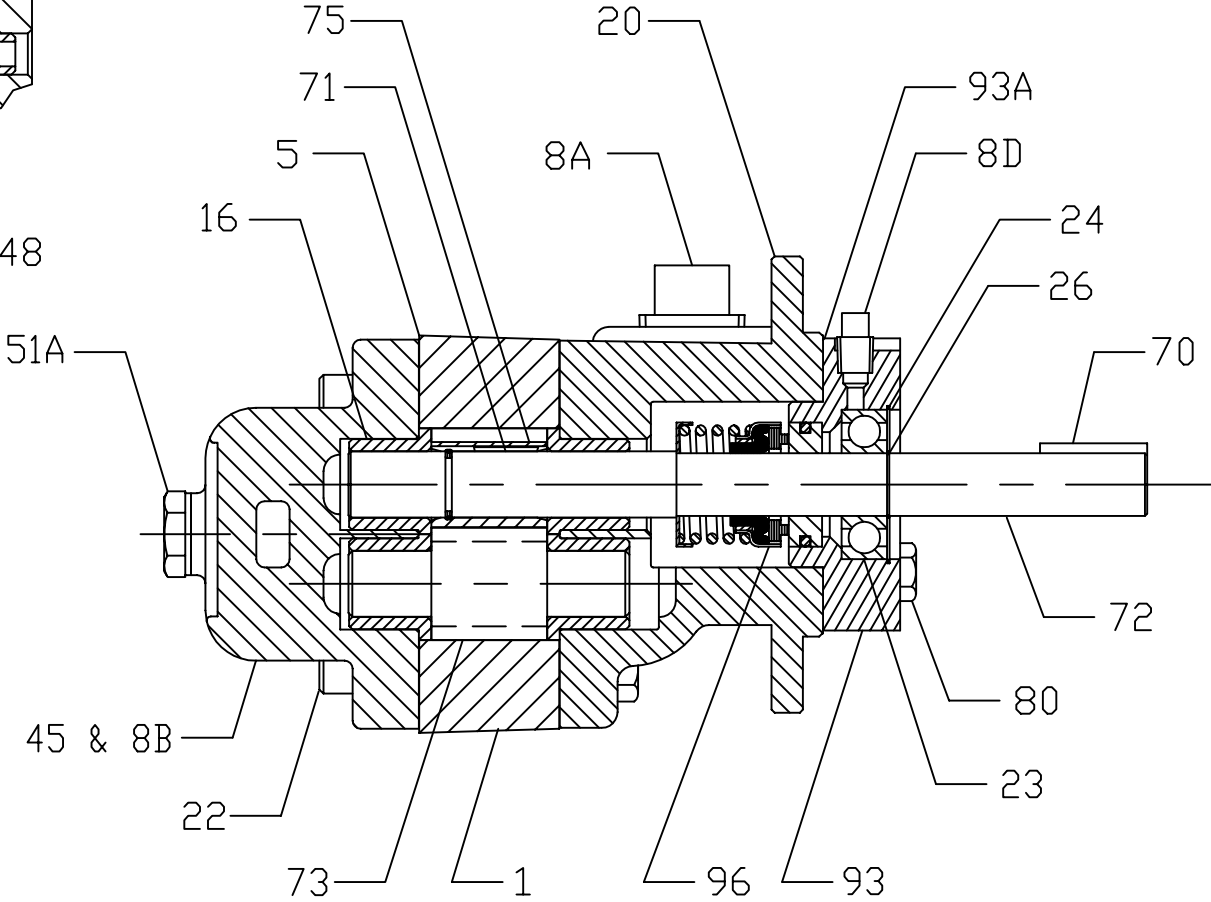
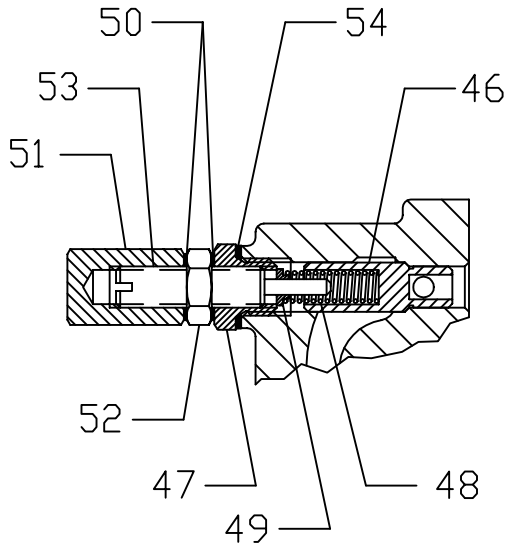
1 & 2 F35 - F50 SPEC 0



1 & 2 F35 - F50 SPEC 5



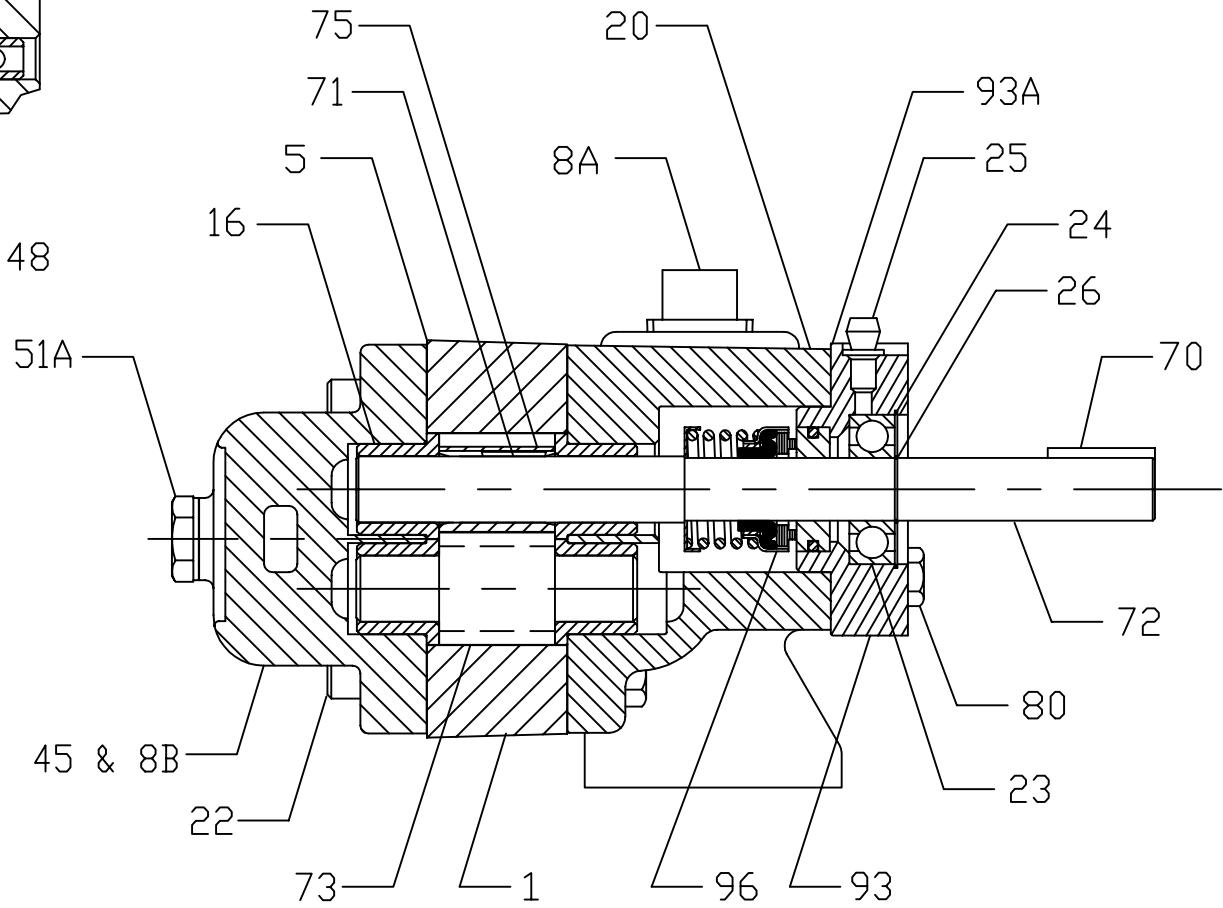
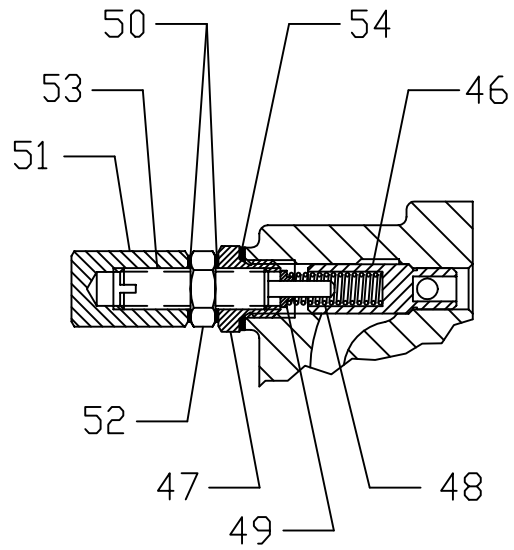
17 & 18 F35 - F50 SPEC 0



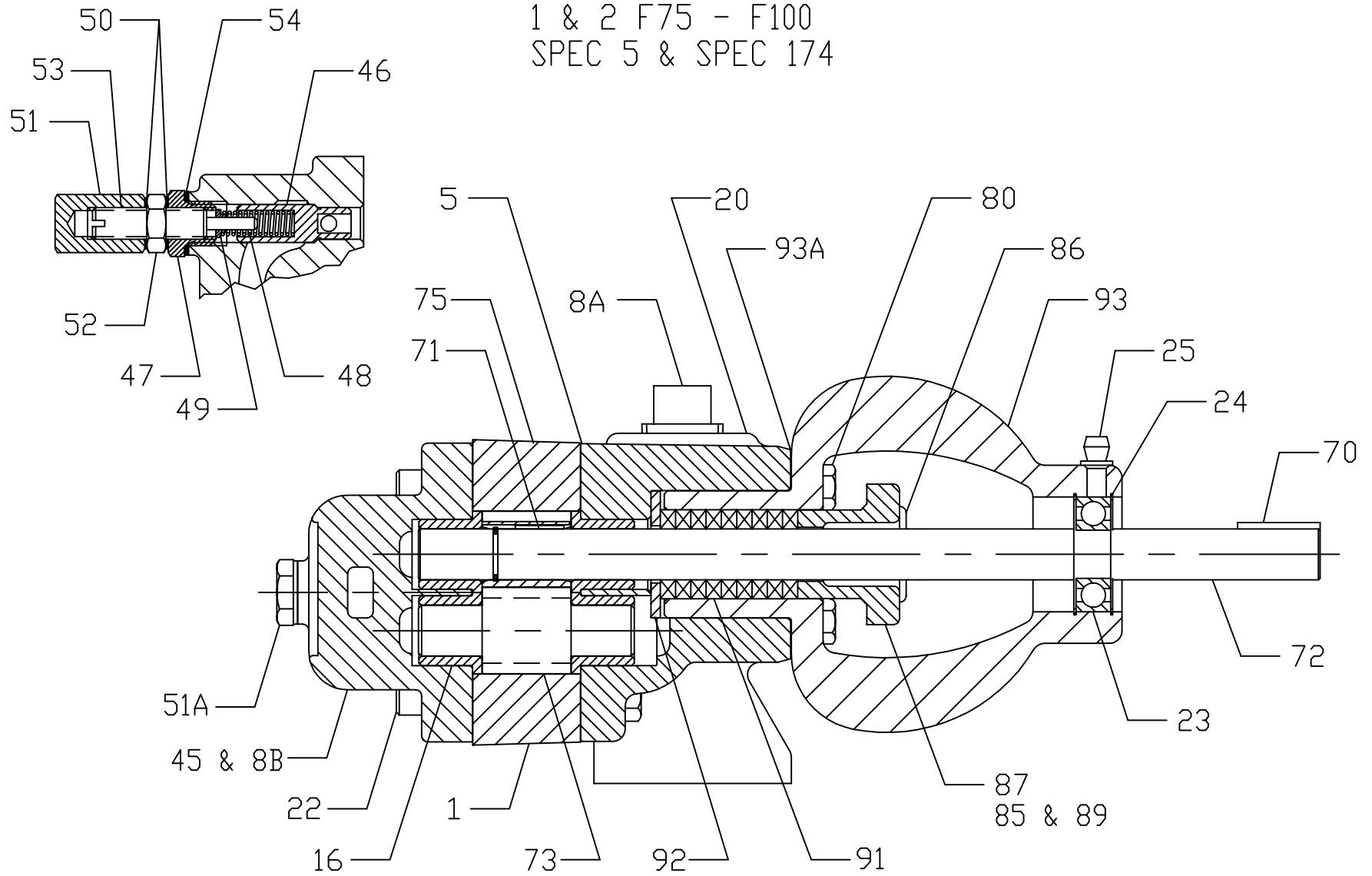
1, 2, 17, 18 F75-F100 SPEC 0, 5, 17 & 174

KEY NO.	DESCRIPTION	F75		F100	
		QTY	PART NO.	QTY	PART NO.
1	Case	1	P1-163	1	P1-164
5	Case Gasket	2	D11-25	2	D11-26
8A	Pipe Plug, Backplate	2	G56-40	2	G56-40
8B	Pipe Plug, RV	1	G56-11	1	G56-11
8C	Pipe Plug, Backplate	2	G56-12	2	G56-12
8D	Pipe Plug, Flg Mtd BP	1	G56-21	1	G56-21
16	Bearing	4	G5-329	4	G5-330
20	Backplate, Foot Mtd	1	P2-297	1	P2-506
	Backplate, Flg Mtd	1	P2-169	1	P2-170
	Backplate, Foot Mtd (ANSI)	1	P2-785	1	N2-1264
22	Hex Hd Cap Screw, Plain	16	G49-037550	16	G49-043575
	Soc Hd Cap Screw, RV	16	G49-037550	16	G49-043575
23	Ball Brg	1	G40-43	1	G40-43
24	Ret Ring, Brg (Mech Seal)	1	G41-5	1	G41-5
	Ret Ring, Brg (Pkg)	2	G41-5	2	G41-5
25	Lube Ftg	1	G63-2	1	G63-2
45	Faceplate, Plain	1	P3-25	1	P3-26
	Faceplate, RV	1	P3-169	1	P3-170
46	Poppet	1	D16-57	1	D16-58
47	Bonnet	1	P14-9	1	P14-10
48	Spring (75 PSI)	1	G10-201	1	G10-202
	Spring (150 PSI)	1	G10-217	1	G10-218
	Spring (300 PSI)	1	G10-233	1	G10-234
49	Spring Guide	1	D8-89	1	D8-90
50	Gasket, RV Cap	1	D11-295	1	D11-295
51	RV Cap	1	P15-8	1	P15-8
51A	Plug Cap	1	P17-9	1	P17-10
52	Nut	1	G44-31	1	G44-31
53	Adjusting Screw	1	D15-7	1	D15-7
54	Gasket, RV	2	G11-105	2	G11-106
54A	Gasket, RV	1	G11-104	1	G11-104
70	Key, Drive	1	D30-18	1	D30-18
71	Key, Gear	1	D30-69	1	D30-69
72	Drive Shaft, Mech Seal	1	D1-1233	1	D1-1236
	Drive Shaft, Pkg	1	D1-1231	1	D1-1234
73	Idler Shaft & Gear	1	N1-528	1	N1-529
75	Gear, RH	1	D6-233	1	D6-234
80	Hex Hd Cap Screw, Mech Seal	6	G49-037225	6	G49-037225
	Hex Hd Cap Screw, Pkg	4	G49-037175	4	G49-037175
85	Nut, Pkg	6	G44-30	6	G44-30
86	Pkg Gland Clip	2	D42-11	2	D42-11
87	Pkg Gland	1	P10-188	1	P10-188
89	Stud, Pkg	2	D22-23	2	D22-23
91	Pkg Set	1	N43-15	1	N43-16
92	Pkg Washer	1	D8-10	1	D8-10
93	Brg Cage, Mech Seal	1	P4-74	1	P4-74
	Pkg Housing, Pkg	1	P9-311	1	P9-312
93A	Gasket	1	D11-121	1	D11-121
96	Mech Seal	1	G14-229	1	G14-229

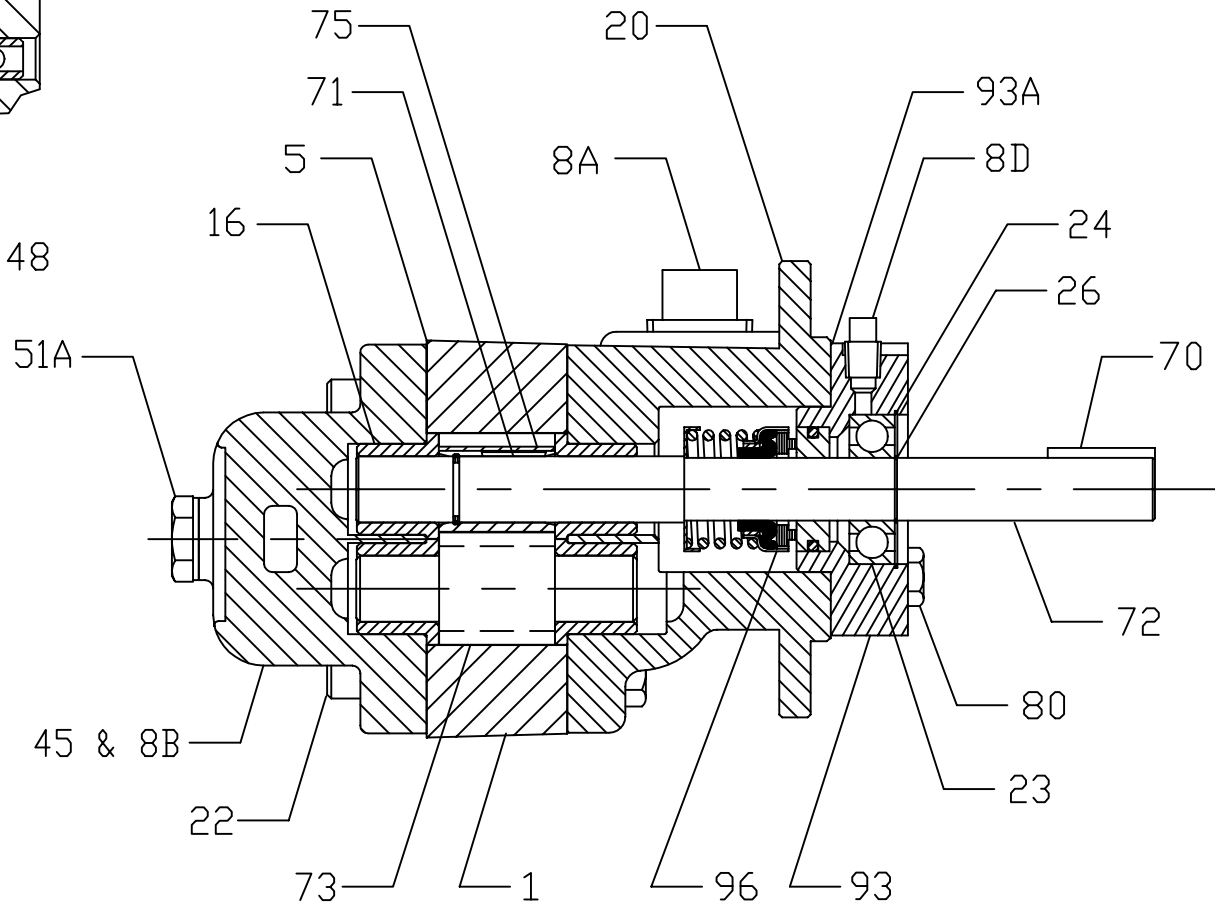
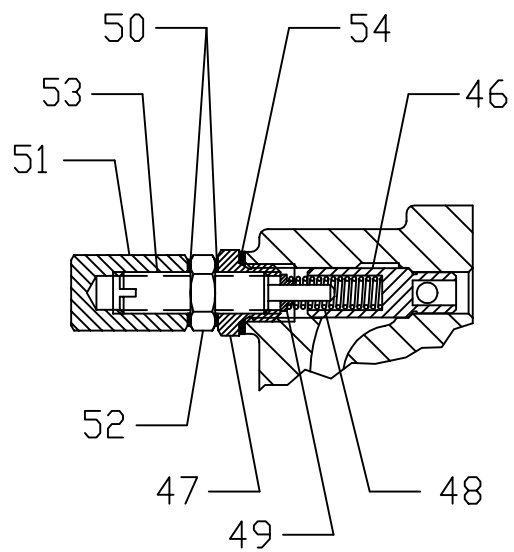
1 & 2 F75 - F100
SPEC 0 & SPEC 17



1 & 2 F75 - F100
SPEC 5 & SPEC 174



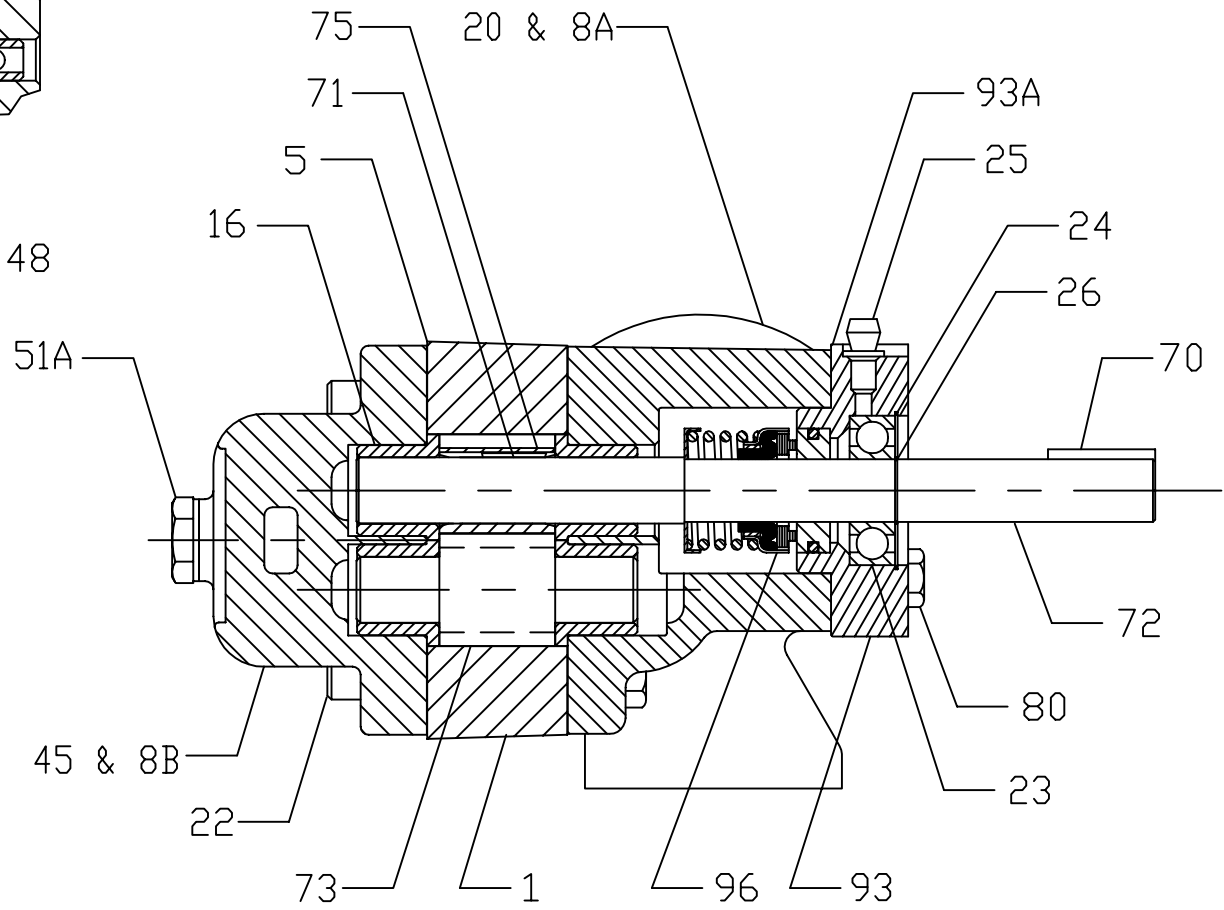
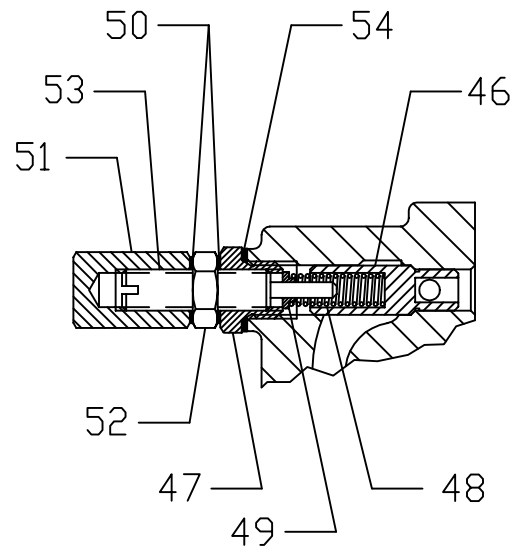
17 & 18 F75 - F100 SPEC 0



1, 2, 17, 18 F150-F300 SPEC 17 & SPEC 174

KEY NO.	DESCRIPTION	F150		F200		F300	
		QTY	PART NO.	QTY	PART NO.	QTY	PART NO.
1	Case	1	P1-165	1	P1-166	1	P1-155
5	Case Gasket	2	D11-27	2	D11-28	1	D11-29
	Case Gasket (Backplate)		N/A		N/A	1	D11-127
8A	Pipe Plug, Backplate	2	G56-14	2	G56-14	2	G56-14
8B	Pipe Plug, RV	1	G56-11	1	G56-11	1	N/A
16	Bearing	4	G5-331	4	G5-332	4	G5-333
20	Backplate, Foot Mtd (ANSI)	1	N2-1265	1	N2-1266	1	N2-1267
22	Hex Hd Cap Screw, Plain	16	G49-062700	16	G49-062725		N/A
	Soc Hd Cap Screw, Plain		N/A		N/A	16	G45-062175
	Hex Hd Cap Screw, RV	12	G49-062700	12	G49-062725		N/A
23	Ball Brg	1	G40-45	1	G40-45	1	G40-47
24	Ret Ring, Brg (Mech Seal)	1	G41-18	1	G41-18	1	G41-23
	Ret Ring, Brg (Pkg)	2	G41-18	2	G41-18	2	G41-23
25	Lube Ftg	1	G63-2	1	G63-2	1	G63-2
45	Faceplate, Plain	1	P3-283	1	P3-28	1	P3-258
	Faceplate, RV	1	P3-171	1	P3-172	1	N/A
46	Poppet	1	BP16-27	1	BP16-28	1	N/A
47	Bonnet	1	P14-13	1	P14-12	1	N/A
48	Spring (75 PSI)	1	G10-203	1	G10-204	1	N/A
	Spring (150 PSI)	1	G10-219	1	G10-220	1	N/A
	Spring (300 PSI)	1	G10-235	1	G10-236	1	N/A
49	Spring Guide	1	D8-92	1	D8-92	1	N/A
50	Gasket, RV Cap	1	D11-265	1	D11-265	1	N/A
51	RV Cap	1	P15-13	1	P15-13	1	N/A
51A	Plug Cap	1	P17-13	1	P17-44	1	N/A
52	Nut	1	G44-33	1	G44-33	1	N/A
53	Adjusting Screw	1	D15-11	1	D15-11	1	N/A
54	Gasket, RV	2	D828-41	2	G11-180	2	N/A
54A	Gasket, RV	1	D11-270	1	D11-270	1	N/A
62	Soc Hd Cap Screw, RV	4	G45-062700	4	G45-062700		N/A
70	Key, Drive	1	D30-13	1	D30-19	1	D30-20
71	Key, Gear	1	D30-70	1	D30-70	1	D30-70
72	Drive Shaft, Mech Seal	1	D1-1239	1	D1-1242	1	D1-1245
	Drive Shaft, Pkg	1	D1-1237	1	D1-1240	1	D1-1243
73	Idler Shaft & Gear	1	N1-537	1	N1-538	1	N1-540
75	Gear, RH	1	D6-235	1	D6-236	1	D6-237
80	Hex Hd Cap Screw, Mech Seal	6	G49-050150	6	G49-062175	6	G49-062300
	Hex Hd Cap Screw, Pkg	4	G49-050200	4	G49-062200	4	G49-062200
85	Nut, Pkg	6	G44-32	6	G44-33	2	G79-3
86	Pkg Gland Clip	2	D42-4	2	D42-6	2	D42-6
87	Pkg Gland	1	P10-189	1	P10-194	1	P10-195
89	Stud, Pkg	2	D22-24	2	D22-25	2	D22-26
91	Pkg Set	1	N43-17	1	N43-18	1	N43-19
92	Pkg Washer	1	D8-11	1	D8-14	1	D8-15
93	Brg Cage, Mech Seal	1	P4-13	1	P4-14	1	P4-75
	Pkg Housing, Pkg	1	P9-313	1	P9-314	1	P9-315
93A	Gasket	1	D11-123	1	D11-124	1	D11-126
96	Mech Seal	1	G14-230	1	G14-230	1	G14-233

1 & 2 F150 - F300 SPEC 17



1 & 2 F150 - F300 SPEC 174

