

PUMP	L	M	O	PORTS	S	X
3611 & 3711 BH			[273]	2"		[92]
3611 & 3711 BHF			10.75	TAPPED		3.62
3611 & 3711 BHRV	[264]	[251]	10.75	TAPPED		3.62
3611 & 3711 BHF	10.39	9.89	[293]	2"	[102]	[109]
3611 & 3711 BHFRV			11.54	FLANGED		4.30
3617 & 3717 BH			[273]	2"	4.00	[92]
3617 & 3717 BHF			10.75	TAPPED		3.62
3617 & 3717 BHRV	[283]	[270]	10.75	TAPPED		3.62
3617 & 3717 BHF	11.14	10.64	[293]	2"	[102]	[109]
3617 & 3717 BHFRV			11.54	FLANGED		4.30
3622 & 3722 BHF	[302]	[289]	[309]	3"	[112]	[163]
3622 & 3722 BHFRV	11.89	11.39	12.16	FLANGED	4.41	6.41

PUMP	AB (MAX)				J (MAX)				K (MAX)			
	22F	32F	41F	42F	22F	32F	41F	42F	22F	32F	41F	42F
3611 & 3711 BH									[906]	[1055]	[1026]	[1139]
3611 & 3711 BHF					[782]	[931]	[902]	[1015]	35.66	41.52	40.38	44.86
3611 & 3711 BHRV					30.78	36.64	35.50	39.98	[997]	[1146]	[1117]	[1231]
3611 & 3711 BHFRV									39.26	45.12	43.98	48.46
3617 & 3717 BH									[944]	[1093]	[1064]	[1178]
3617 & 3717 BHF					[801]	[950]	[921]	[1035]	37.16	43.02	41.88	46.36
3617 & 3717 BHRV	[169]	[204]	[226]	[226]	31.53	37.39	36.25	40.73	[1035]	[1184]	[1155]	[1269]
3617 & 3717 BHFRV	6.65	8.03	8.90	8.90					40.76	46.62	45.48	49.96
3622 & 3722 BHF					[820]	[969]	[940]	[1054]	38.66	44.52	43.38	47.86
3622 & 3722 BHFRV					32.28	38.14	37.00	41.48	[1073]	[1222]	[1193]	[1307]
									42.26	48.12	46.98	51.46

PROPRIETARY NOTICE: THIS DOCUMENT CONTAINS PROPRIETARY AND CONFIDENTIAL INFORMATION WHICH IS THE EXCLUSIVE PROPERTY OF ROPER PUMP COMPANY, COMMERCE, GEORGIA AND SHALL NOT BE COMMUNICATED, DISCLOSED, OR REPRODUCED WITHOUT WRITTEN CONSENT OF MANAGEMENT AND SHALL NOT BE DISCLOSED IN ANY MANNER TO OUTSIDE PARTIES WITHOUT PRIOR WRITTEN CONSENT OF MANAGEMENT.

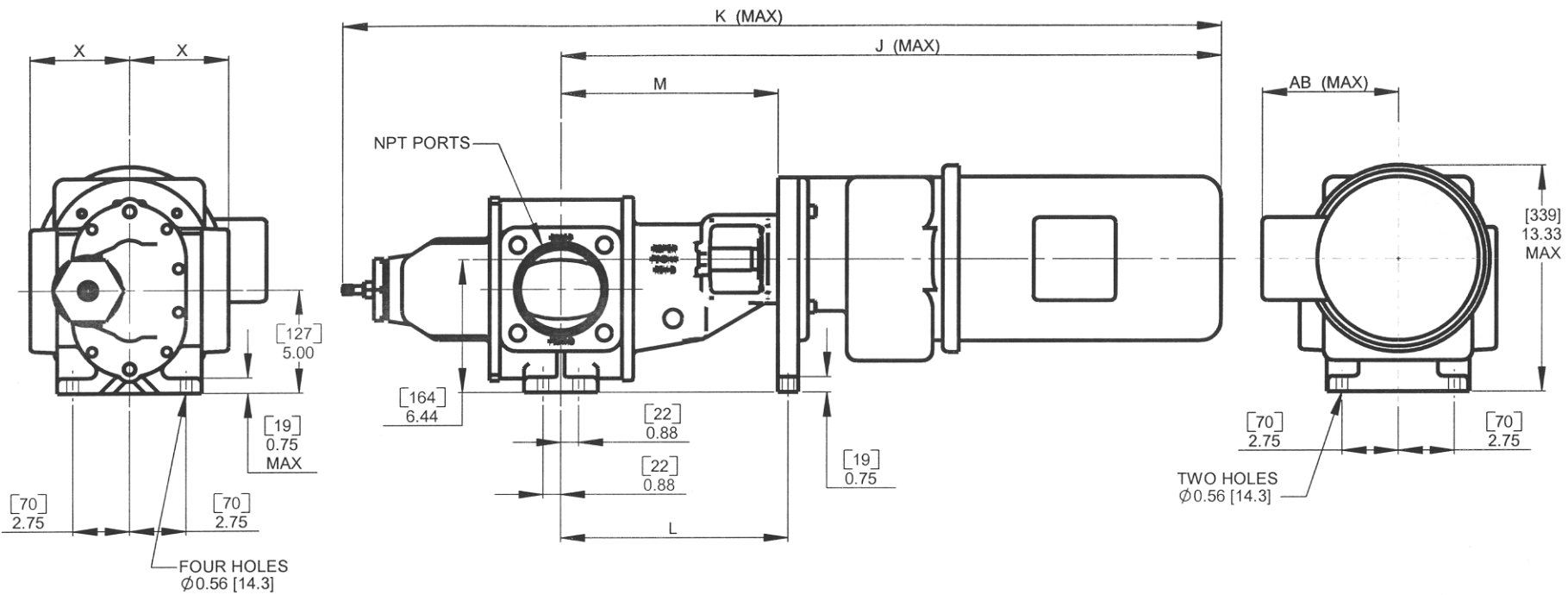
**CERTIFIED DIMENSIONALLY CORRECT FOR:**  
 CUSTOMER  
 CUSTOMER P.O.  
 BY

DO NOT SCALE  
 DIMS IN INCHES (MM)  
 PROJECTION



FIGURE  
**CCD/36S**  
 3611-3722 BH,F,RV  
 WITH GEARMOTOR  
 SPEC TYPE

ROPER S.O.  
 DATE



PUMP	L	M	PORTS	X
4611 & 4711 BHF	[264]	[251]	2"	[106]
4611 & 4711 BHFRV	10.39	9.89	FLANGED	4.17
4617 & 4717 BHF	[283]	[270]	3"	[112]
4617 & 4717 BHFRV	11.14	10.64	FLANGED	4.41
4622 & 4722 BHF	[302]	[289]	4"	[123]
4622 & 4722 BHFRV	11.89	11.39	FLANGED	4.85

PUMP	AB (MAX)				J (MAX)				K (MAX)			
	22F	32F	41F	42F	22F	32F	41F	42F	22F	32F	41F	42F
4611 & 4711 BHF					[782]	[931]	[902]	[1015]	[906]	[1055]	[1026]	[1139]
4611 & 4711 BHFRV					30.78	36.64	35.50	39.98	35.66	41.52	40.38	44.86
4617 & 4717 BHF					[997]	[1146]	[1117]	[1231]	[997]	[1146]	[1117]	[1231]
4617 & 4717 BHFRV	[169]	[204]	[226]	[226]	39.26	45.12	43.98	48.46	39.26	45.12	43.98	48.46
4622 & 4722 BHF					[944]	[1093]	[1064]	[1178]	[944]	[1093]	[1064]	[1178]
4622 & 4722 BHFRV	6.65	8.03	8.90	8.90	37.16	43.02	41.88	46.36	37.16	43.02	41.88	46.36
4611 & 4711 BHF					[1035]	[1184]	[1155]	[1269]	[1035]	[1184]	[1155]	[1269]
4611 & 4711 BHFRV					40.76	46.62	45.48	49.96	40.76	46.62	45.48	49.96
4617 & 4717 BHF					[982]	[1131]	[1102]	[1216]	[982]	[1131]	[1102]	[1216]
4617 & 4717 BHFRV					38.66	44.52	43.38	47.86	38.66	44.52	43.38	47.86
4622 & 4722 BHF					[820]	[969]	[940]	[1054]	[820]	[969]	[940]	[1054]
4622 & 4722 BHFRV					32.28	38.14	37.00	41.48	32.28	38.14	37.00	41.48
4611 & 4711 BHF					[1073]	[1222]	[1193]	[1307]	[1073]	[1222]	[1193]	[1307]
4611 & 4711 BHFRV					42.26	48.12	46.98	51.46	42.26	48.12	46.98	51.46

PROPRIETARY NOTICE: THIS DOCUMENT CONTAINS PROPRIETARY AND CONFIDENTIAL INFORMATION WHICH IS THE EXCLUSIVE PROPERTY OF ROPER PUMP COMPANY, COMMERCE, GEORGIA AND SHALL NOT BE COMMUNICATED, DISCLOSED, OR REPRODUCED WITHOUT WRITTEN CONSENT OF MANAGEMENT AND SHALL NOT BE DISCLOSED IN ANY MANNER TO OUTSIDE PARTIES WITHOUT PRIOR WRITTEN CONSENT OF MANAGEMENT.

**CERTIFIED DIMENSIONALLY CORRECT FOR:**  
 CUSTOMER  
 CUSTOMER P.O.  
 BY

DO NOT SCALE  
 DIMS IN INCHES [MM]  
 PROJECTION

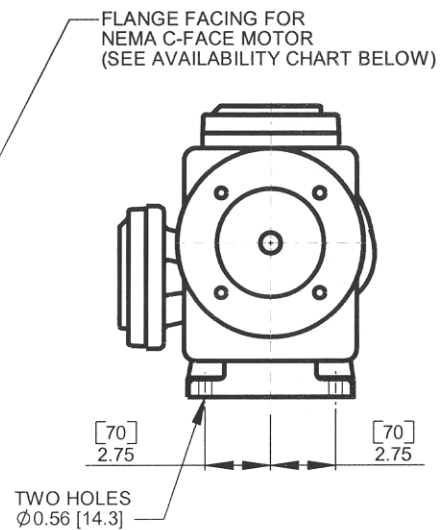
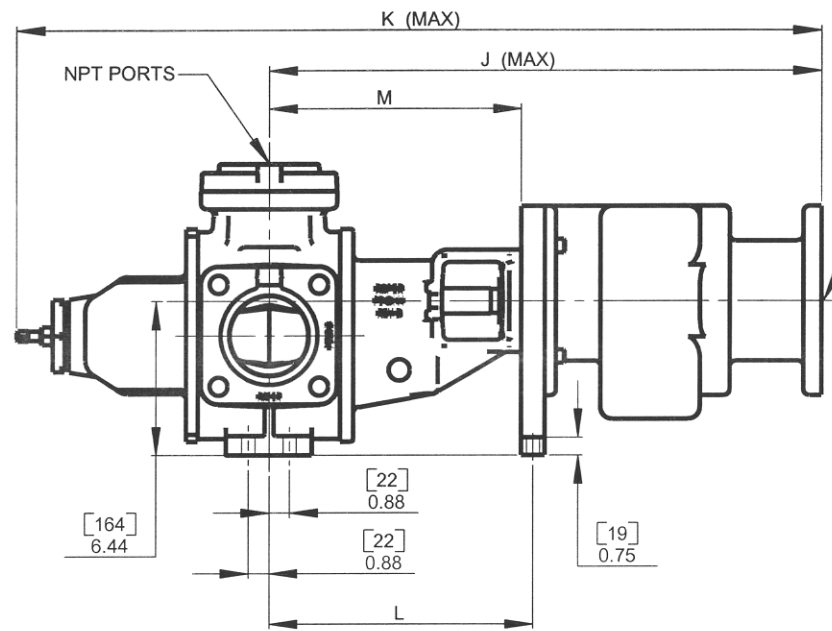
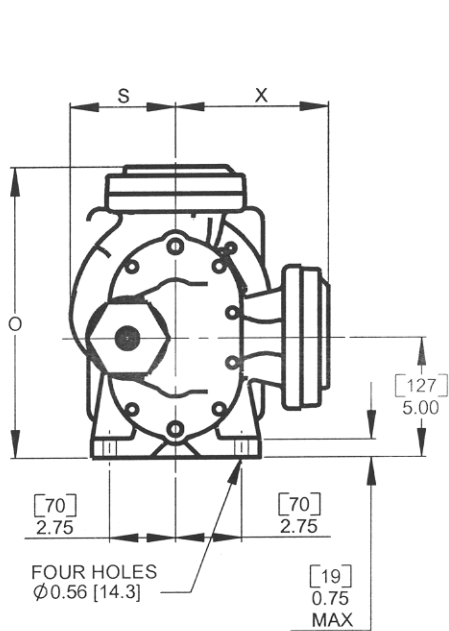


FIGURE  
**CCD/36S**  
 4611-4722 BHF,RV  
 WITH GEARMOTOR

SPEC TYPE

ROPER S.O.  
 DATE

COMMERCE, GA  
 U.S.A.



PUMP	L	M	O	PORTS	S	X
3611 & 3711 BH			[273]	2"		[92]
3611 & 3711 BHF			[293]	2"		[109]
3611 & 3711 BHRV	[264]	[251]	10.75	TAPPED		3.62
3611 & 3711 BHFRV	10.39	9.89	11.54	FLANGED	[102]	4.30
3617 & 3717 BH			[273]	2"	4.00	[92]
3617 & 3717 BHF			[293]	2"		[109]
3617 & 3717 BHRV	[283]	[270]	10.75	TAPPED		3.62
3617 & 3717 BHFRV	11.14	10.64	11.54	FLANGED	[109]	4.30
3622 & 3722 BHF	[302]	[289]	[309]	3"		[109]
3622 & 3722 BHFRV	11.89	11.39	12.16	FLANGED	[112]	[163]
					4.41	6.41

PUMP	AVAILABLE NEMA FRAMES				J (MAX)				K (MAX)			
	22F	32F	41F	42F	22F	32F	41F	42F	22F	32F	41F	42F
3611 & 3711 BH									[740]	[780]	[741]	[855]
3611 & 3711 BHF					[623]	[663]	[624]	[738]	29.14	30.71	29.18	33.67
3611 & 3711 BHRV					24.54	26.11	24.58	29.07	[832]	[871]	[833]	[947]
3611 & 3711 BHFRV									32.74	34.31	32.78	37.27
3617 & 3717 BH	143TC		213TC						[778]	[818]	[779]	[893]
3617 & 3717 BHF	145TC	213TC	215TC	254TC	[642]	[682]	[643]	[757]	30.64	32.21	30.68	35.17
3617 & 3717 BHRV	182TC	215TC	254TC	256TC	25.29	26.86	25.33	29.82	[870]	[910]	[871]	[985]
3617 & 3717 BHFRV	184TC		256TC						34.24	35.81	34.28	38.77
3622 & 3722 BHF					[661]	[701]	[662]	[776]	[816]	[856]	[817]	[931]
					26.04	27.61	26.08	30.57	32.14	33.71	32.18	36.67
3622 & 3722 BHFRV									[908]	[948]	[909]	[1023]
									35.74	37.31	35.78	40.27

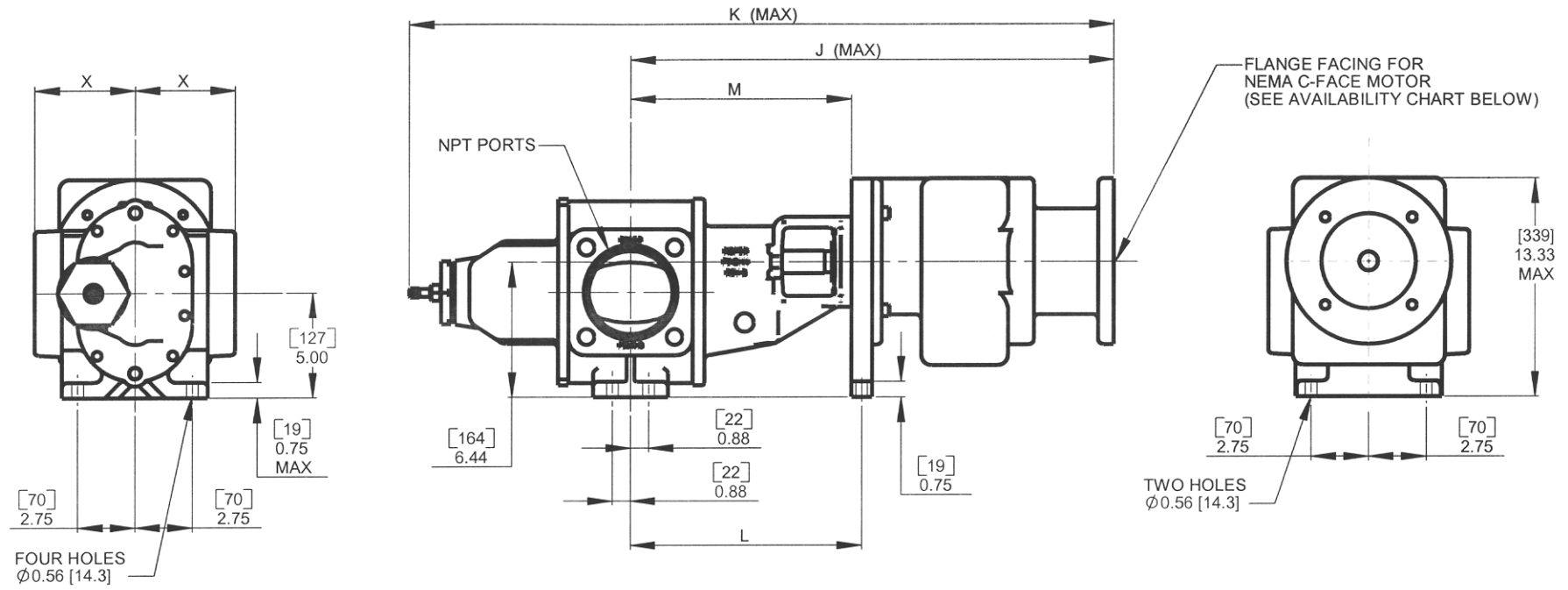
PROPRIETARY NOTICE: THIS DOCUMENT CONTAINS PROPRIETARY AND CONFIDENTIAL INFORMATION WHICH IS THE EXCLUSIVE PROPERTY OF ROPER PUMP COMPANY, COMMERCE, GEORGIA AND SHALL NOT BE COMMUNICATED, DISCLOSED, OR REPRODUCED WITHOUT WRITTEN CONSENT OF MANAGEMENT AND SHALL NOT BE DISCLOSED IN ANY MANNER TO OUTSIDE PARTIES WITHOUT PRIOR WRITTEN CONSENT OF MANAGEMENT.

**CERTIFIED DIMENSIONALLY CORRECT FOR:**  
 CUSTOMER  
 CUSTOMER P.O.  
 BY

DO NOT SCALE  
 DIMS IN INCHES (MM)  
 PROJECTION



SPEC TYPE  
 FIGURE  
**CCD/36S**  
 3611-3722 BH,F,RV  
 WITH NEMA ADAPTER



FOUR HOLES  
Ø0.56 [14.3]

PUMP	L	M	PORTS	X
4611 & 4711 BHF	[264]	[251]	2"	[106]
4611 & 4711 BHFRV	10.39	9.89	FLANGED	4.17
4617 & 4717 BHF	[283]	[270]	3"	[112]
4617 & 4717 BHFRV	11.14	10.64	FLANGED	4.41
4622 & 4722 BHF	[302]	[289]	4"	[123]
4622 & 4722 BHFRV	11.89	11.39	FLANGED	4.85

PUMP	AVAILABLE NEMA FRAMES				J (MAX)				K (MAX)			
	22F	32F	41F	42F	22F	32F	41F	42F	22F	32F	41F	42F
4611 & 4711 BHF					[623] 24.54	[663] 26.11	[624] 24.58	[738] 29.07	[740] 29.14	[780] 30.71	[741] 29.18	[855] 33.67
4611 & 4711 BHFRV					[642] 25.29	[682] 26.86	[643] 25.33	[757] 29.82	[832] 32.74	[871] 34.31	[833] 32.78	[947] 37.27
4617 & 4717 BHF	143TC	213TC	213TC	254TC	[642] 25.29	[682] 26.86	[643] 25.33	[757] 29.82	[778] 30.64	[818] 32.21	[779] 30.68	[893] 35.17
4617 & 4717 BHFRV	145TC 182TC 184TC	215TC	215TC 256TC	254TC 256TC	[870] 34.24	[910] 35.81	[871] 34.28	[985] 38.77	[870] 34.24	[910] 35.81	[871] 34.28	[985] 38.77
4622 & 4722 BHF					[661] 26.04	[701] 27.61	[662] 26.08	[776] 30.57	[816] 32.14	[856] 33.71	[817] 32.18	[931] 36.67
4622 & 4722 BHFRV					[661] 26.04	[701] 27.61	[662] 26.08	[776] 30.57	[816] 32.14	[856] 33.71	[817] 32.18	[931] 36.67

PROPRIETARY NOTICE: THIS DOCUMENT CONTAINS PROPRIETARY AND CONFIDENTIAL INFORMATION WHICH IS THE EXCLUSIVE PROPERTY OF ROPER PUMP COMPANY. COMMERCE, GEORGIA AND SHALL NOT BE COMMUNICATED, DISCLOSED, OR REPRODUCED WITHOUT WRITTEN CONSENT OF MANAGEMENT AND SHALL NOT BE DISCLOSED IN ANY MANNER TO OUTSIDE PARTIES WITHOUT PRIOR WRITTEN CONSENT OF MANAGEMENT.

CERTIFIED DIMENSIONALLY CORRECT FOR:

CUSTOMER  
CUSTOMER P.O.  
BY

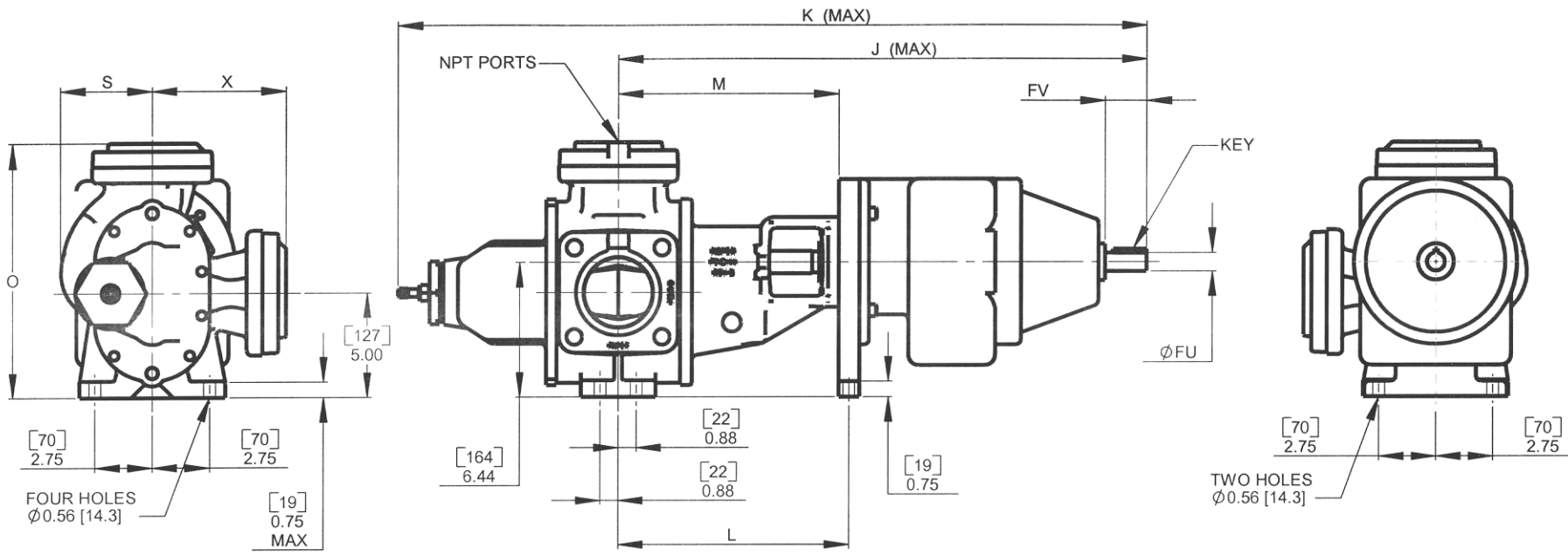
ROPER S.O.  
DATE

DO NOT SCALE  
DIMS IN INCHES (MM)  
PROJECTION



FIGURE  
CCD/36S  
4611-4722 BHF,RV  
WITH NEMA ADAPTER

SPEC TYPE



PUMP	L	M	O	PORTS	S	X
3611 & 3711 BH			[273]	2"		[92]
3611 & 3711 BHRV	[264]	[251]	10.75	TAPPED		3.62
3611 & 3711 BHF	10.39	9.89	[293]	2"		[109]
3611 & 3711 BHFRV			11.54	FLANGED	[102]	4.30
3617 & 3717 BH			[273]	2"	4.00	[92]
3617 & 3717 BHRV	[283]	[270]	10.75	TAPPED		3.62
3617 & 3717 BHF	11.14	10.64	[293]			[109]
3617 & 3717 BHFRV			11.54	3"		4.30
3622 & 3722 BHF	[302]	[289]	[309]	FLANGED	[112]	[163]
3622 & 3722 BHFRV	11.89	11.39	12.16		4.41	6.41

PUMP	FU		FV		KEY		J (MAX)				K (MAX)			
	22F	41F	22F	41F	22F & 32F	41F & 42F	22F	32F	41F	42F	22F	32F	41F	42F
3611 & 3711 BH											[745]	[785]	[753]	[867]
3611 & 3711 BHF							[628]	[668]	[636]	[750]	29.34	30.91	29.64	34.13
3611 & 3711 BHRV							24.74	26.31	25.04	29.53	[837]	[877]	[844]	[958]
3611 & 3711 BHFRV											32.94	34.51	33.24	37.73
3617 & 3717 BH					[4.8 SQ X	[9.5 SQ X					[783]	[823]	[791]	[905]
3617 & 3717 BHF	[22.23]	[38.10]	[50.80]	[79.25]	41.1 LONG	63.5 LONG	[647]	[687]	[655]	[769]	30.84	32.41	31.14	35.63
3617 & 3717 BHRV	.875	1.50	2.00	3.12	3/16 SQ X	3/8 SQ X	25.49	27.06	25.79	30.28	[875]	[915]	[882]	[996]
3617 & 3717 BHFRV					1.62 LONG	2.50 LONG					34.44	36.01	34.74	39.23
3622 & 3722 BHF											[821]	[861]	[829]	[943]
3622 & 3722 BHFRV							[666]	[706]	[674]	[788]	32.34	33.91	32.64	37.13
							26.24	27.81	26.54	31.03	[913]	[953]	[920]	[1035]
											35.94	37.51	36.24	40.73

PROPRIETARY NOTICE: THIS DOCUMENT CONTAINS PROPRIETARY AND CONFIDENTIAL INFORMATION WHICH IS THE EXCLUSIVE PROPERTY OF ROPER PUMP COMPANY. COMMERCE, GEORGIA AND SHALL NOT BE COMMUNICATED, DISCLOSED, OR REPRODUCED WITHOUT WRITTEN CONSENT OF MANAGEMENT AND SHALL NOT BE DISCLOSED IN ANY MANNER TO OUTSIDE PARTIES WITHOUT PRIOR WRITTEN CONSENT OF MANAGEMENT.

**CERTIFIED DIMENSIONALLY CORRECT FOR:**  
 CUSTOMER  
 CUSTOMER P.O.  
 BY

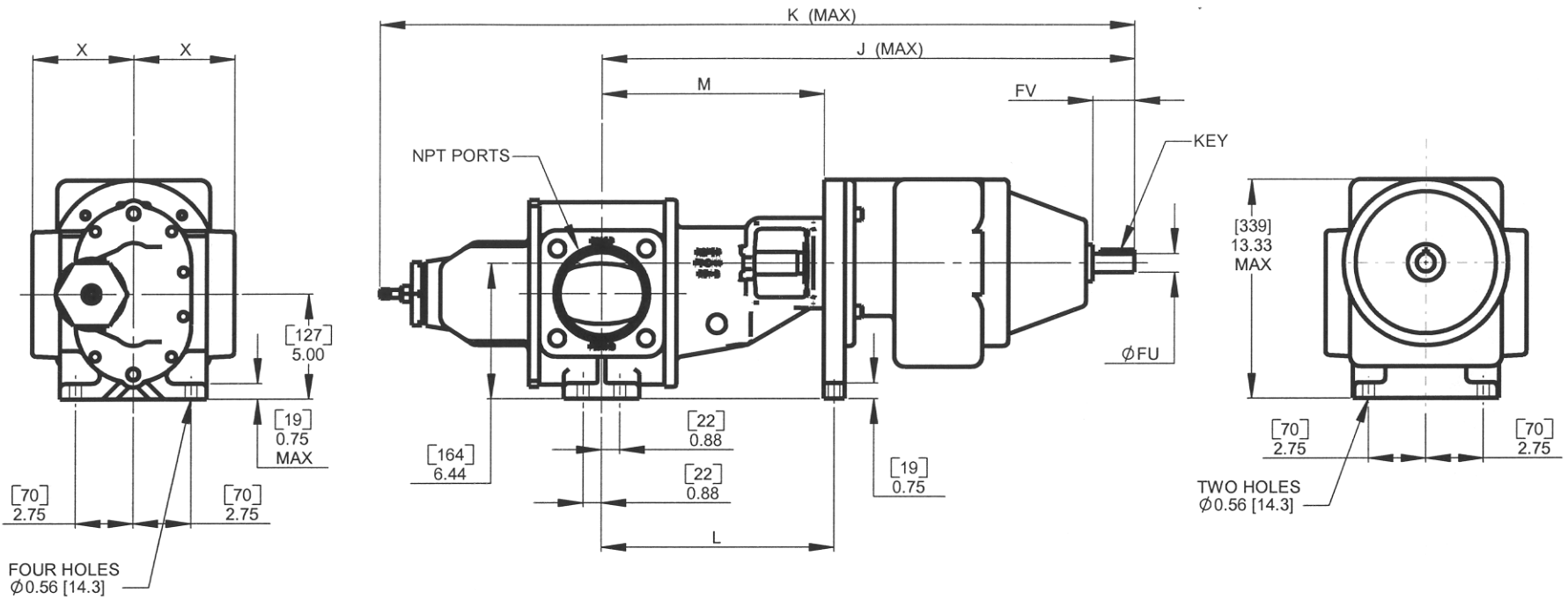
ROPER S.O.  
 DATE

DO NOT SCALE  
 DIMS IN INCHES (MM)  
 PROJECTION



FIGURE  
**CCD/36S**  
 3611-3722 BH,F,RV  
 WITH MALE SHAFT

SPCC TYPE



FOUR HOLES  
Ø0.56 [14.3]

TWO HOLES  
Ø0.56 [14.3]

PUMP	L	M	PORTS	X
4611 & 4711 BHF	[264]	[251]	2"	[106]
4611 & 4711 BHFRV	10.39	9.89	FLANGED	4.17
4617 & 4717 BHF	[283]	[270]	3"	[112]
4617 & 4717 BHFRV	11.14	10.64	FLANGED	4.41
4622 & 4722 BHF	[302]	[289]	4"	[123]
4622 & 4722 BHFRV	11.89	11.39	FLANGED	4.85

PUMP	FU		FV		KEY				J (MAX)				K (MAX)			
	22F 32F	41F 42F	22F 32F	41F 42F	22F	32F	41F	42F	22F	32F	41F	42F	22F	32F	41F	42F
4611 & 4711 BHF									[782]	[931]	[902]	[1015]	[906]	[1055]	[1026]	[1139]
4611 & 4711 BHFRV									30.78	36.64	35.50	39.98	[997]	[1146]	[1117]	[1231]
4617 & 4717 BHF					[4.8 SQ X 41.1 LONG]	[9.5 SQ X 63.5 LONG]			[944]	[1093]	[1064]	[1178]	[944]	[1093]	[1064]	[1178]
4617 & 4717 BHFRV	[22.23]	[38.10]	[50.80]	[79.25]	3/16 SQ X 1.62 LONG	3/8 SQ X 2.50 LONG			31.53	37.39	36.25	40.73	[1035]	[1184]	[1155]	[1269]
4622 & 4722 BHF									[820]	[969]	[940]	[1054]	[982]	[1131]	[1102]	[1216]
4622 & 4722 BHFRV									32.28	38.14	37.00	41.48	[1073]	[1222]	[1193]	[1307]
													42.26	48.12	46.98	51.46

PROPRIETARY NOTICE: THIS DOCUMENT CONTAINS PROPRIETARY AND CONFIDENTIAL INFORMATION WHICH IS THE EXCLUSIVE PROPERTY OF ROPER PUMP COMPANY, COMMERCE, GEORGIA AND SHALL NOT BE COMMUNICATED, DISCLOSED, OR REPRODUCED WITHOUT WRITTEN CONSENT OF MANAGEMENT AND SHALL NOT BE DISCLOSED IN ANY MANNER TO OUTSIDE PARTIES WITHOUT PRIOR WRITTEN CONSENT OF MANAGEMENT.

CERTIFIED DIMENSIONALLY CORRECT FOR:

CUSTOMER  
CUSTOMER P.O.  
BY

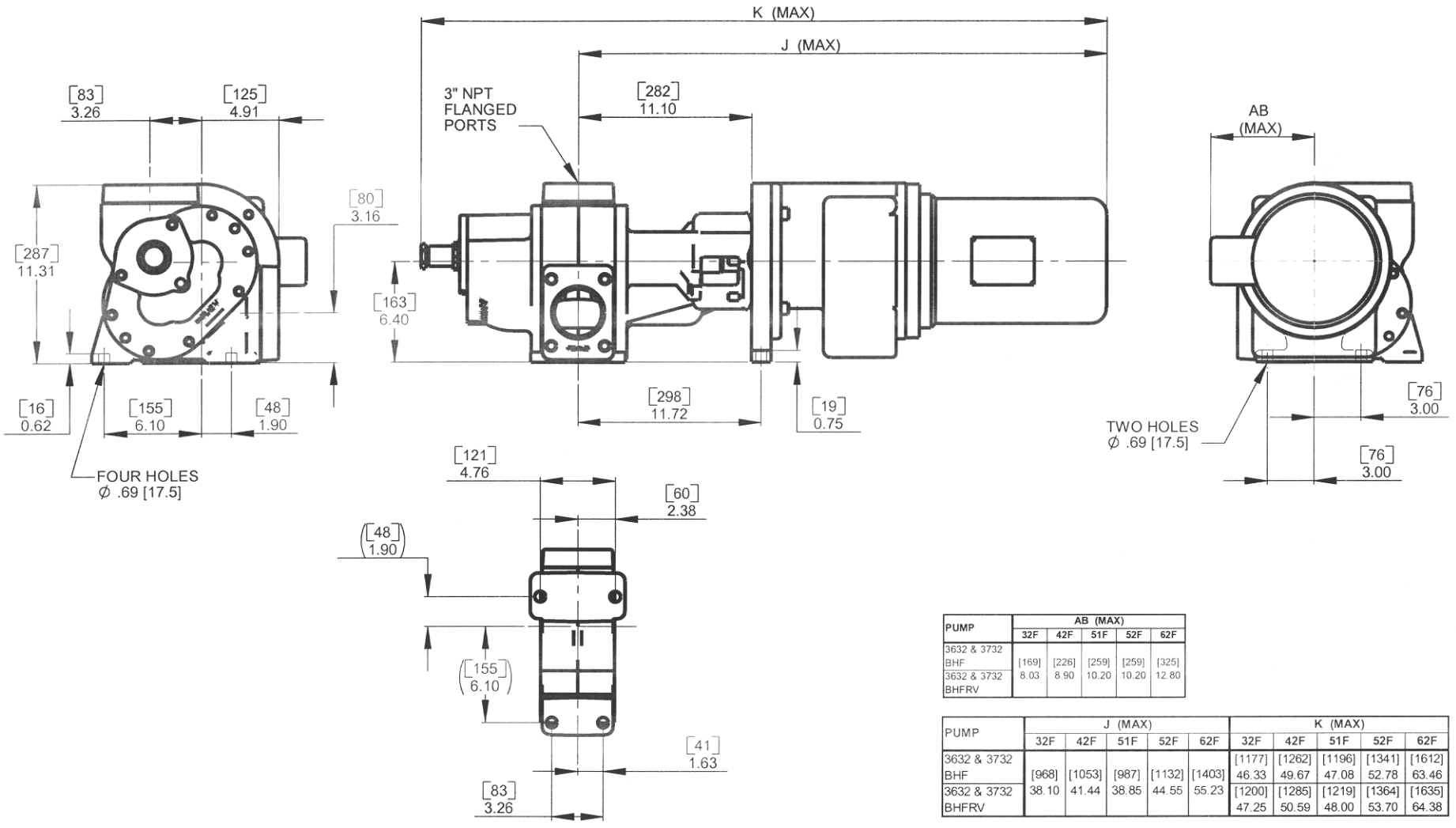
ROPER S.O.  
DATE

DO NOT SCALE  
DIMS IN INCHES [MM]  
PROJECTION



FIGURE  
CCD/36S  
4611-4722 BHF,RV  
WITH MALE SHAFT

SPCC TYPE



TWO HOLES  
Ø .69 [17.5]

PUMP	AB (MAX)				
	32F	42F	51F	52F	62F
3632 & 3732					
BHF	[169]	[226]	[259]	[259]	[325]
3632 & 3732	8.03	8.90	10.20	10.20	12.80
BHFRV					

PUMP	J (MAX)					K (MAX)				
	32F	42F	51F	52F	62F	32F	42F	51F	52F	62F
3632 & 3732						[1177]	[1262]	[1196]	[1341]	[1612]
BHF	[968]	[1053]	[987]	[1132]	[1403]	46.33	49.67	47.08	52.78	63.46
3632 & 3732	38.10	41.44	38.85	44.55	55.23	[1200]	[1285]	[1219]	[1364]	[1635]
BHFRV						47.25	50.59	48.00	53.70	64.38

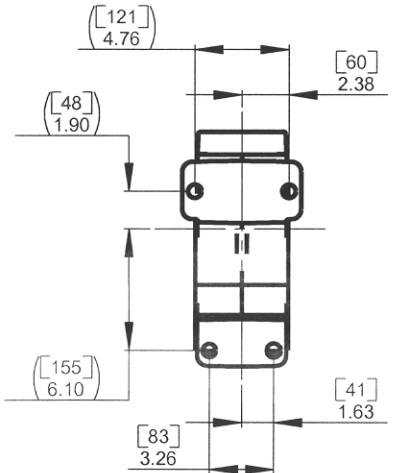
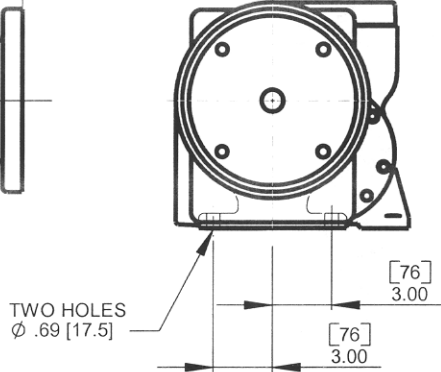
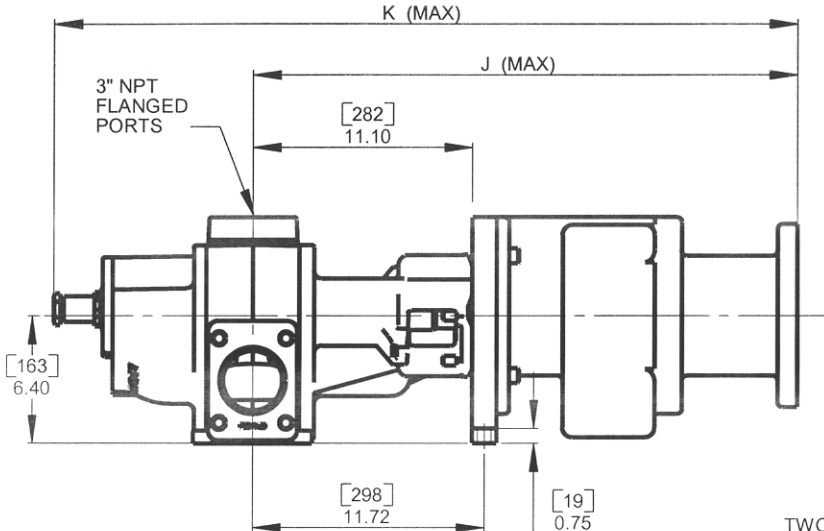
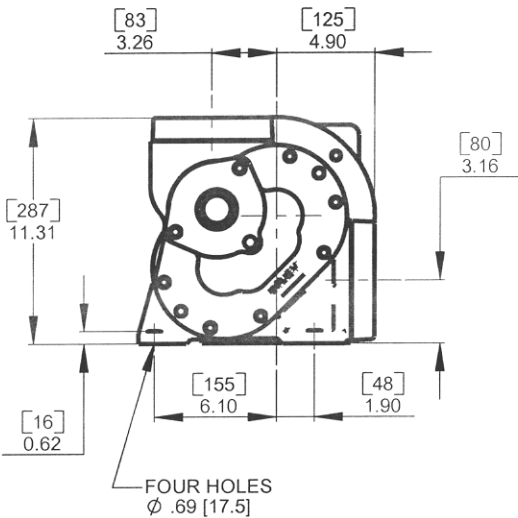
PROPRIETARY NOTICE: THIS DOCUMENT CONTAINS PROPRIETARY AND CONFIDENTIAL INFORMATION WHICH IS THE EXCLUSIVE PROPERTY OF ROPER PUMP COMPANY, COMMERCE, GEORGIA AND SHALL NOT BE COMMUNICATED, DISCLOSED, OR REPRODUCED WITHOUT WRITTEN CONSENT OF MANAGEMENT AND SHALL NOT BE DISCLOSED IN ANY MANNER TO OUTSIDE PARTIES WITHOUT PRIOR WRITTEN CONSENT OF MANAGEMENT.

**CERTIFIED DIMENSIONALLY CORRECT FOR:**  
 CUSTOMER  
 CUSTOMER P.O.  
 BY  
 ROPER S.O.  
 DATE

DO NOT SCALE  
 DIMS IN INCHES [MM]  
 PROJECTION



FIGURE  
**CCD/36M**  
 3632-3732 BHF,RV  
 WITH GEARMOTOR  
 SPEC TYPE



PUMP	AVAILABLE NEMA FRAMES				
	32F	42F	51F	52F	62F
3632 & 3732	182TC	213TC	254TC		
BHF	184TC	215TC	256TC	284TC	324TC
3632 & 3732	213TC	254TC	284TC	286TC	326TC
BHFRV	215TC	256TC	286TC		

PUMP	J (MAX)					K (MAX)				
	32F	42F	51F	52F	62F	32F	42F	51F	52F	62F
3632 & 3732	[700]	[775]	[680]	[825]	[978]	[909]	[985]	[889]	[1034]	[1187]
BHF	35.80	38.76	34.99	40.70	46.72					
3632 & 3732	27.57	30.53	26.76	32.47	38.49	[933]	[1008]	[912]	[1057]	[1210]
BHFRV	36.72	39.68	35.91	41.62	47.64					

PROPRIETARY NOTICE: THIS DOCUMENT CONTAINS PROPRIETARY AND CONFIDENTIAL INFORMATION WHICH IS THE EXCLUSIVE PROPERTY OF ROPER PUMP COMPANY. COMMERCE, GEORGIA AND SHALL NOT BE COMMUNICATED, DISCLOSED, OR REPRODUCED WITHOUT WRITTEN CONSENT OF MANAGEMENT AND SHALL NOT BE DISCLOSED IN ANY MANNER TO OUTSIDE PARTIES WITHOUT PRIOR WRITTEN CONSENT OF MANAGEMENT.

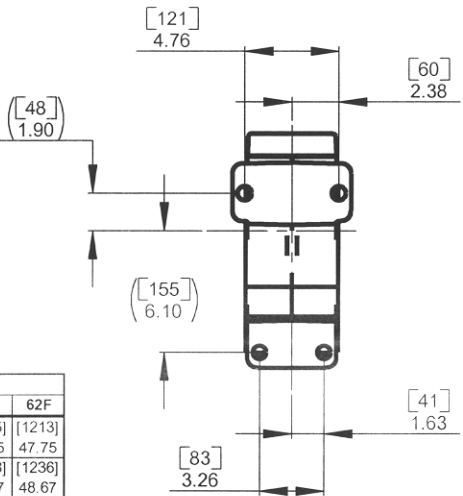
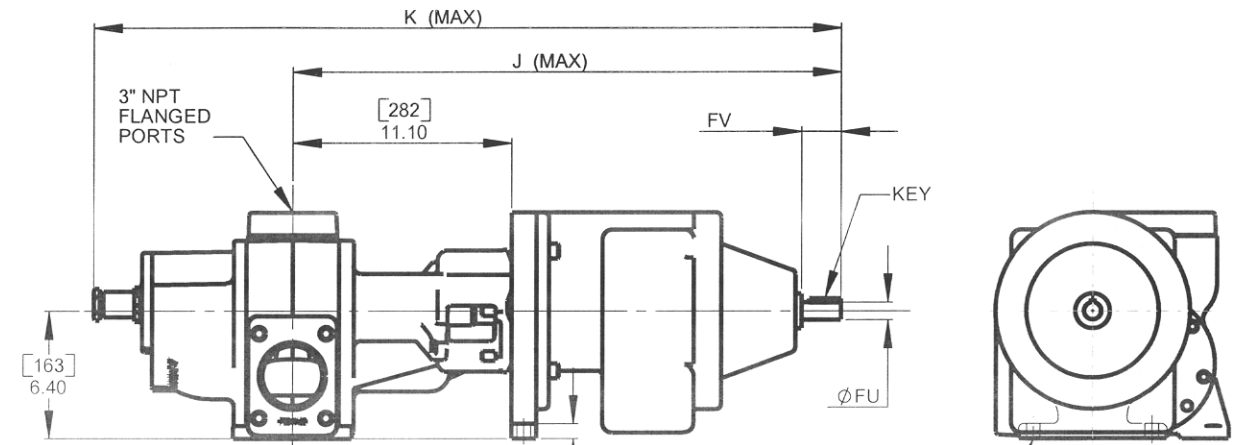
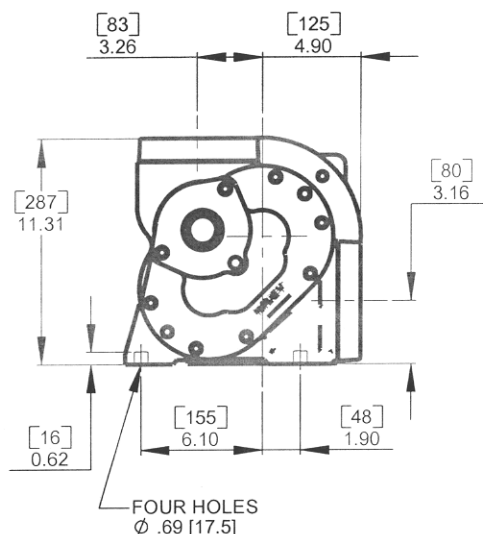
**CERTIFIED DIMENSIONALLY CORRECT FOR:**  
 CUSTOMER  
 CUSTOMER P.O.  
 BY  
 ROPER S.O.  
 DATE

DO NOT SCALE  
 DIMS IN INCHES (MM)  
 PROJECTION



FIGURE  
**CCD/36M**  
 3632-3732 BHF,RV  
 WITH NEMA ADAPTER  
 SPEC TYPE





PUMP	J (MAX)					K (MAX)				
	32F	42F	51F	52F	62F	32F	42F	51F	52F	62F
3632 & 3732 BHF	[705]	[787]	[681]	[826]	[1004]	[914]	[996]	[890]	[1035]	[1213]
3632 & 3732 BHFRV	27.77	30.99	26.81	32.52	39.52	[938]	[1020]	[913]	[1058]	[1236]

PUMP	FU			FV			KEY		
	32F	42F 51F 52F	62F	32F	42F 51F 52F	62F	32F	42F 51F 52F	62F
3632 & 3732 BHF	[22.23]	[38.10]	[41.28]	[50.80]	[79.25]	[111.25]	[4.8 SQ X 41.1 LONG]	[9.5 SQ X 63.5 LONG]	[15.9 SQ X 101.6 LONG]
3632 & 3732 BHFRV	875	1.50	1.625	2.00	3.12	4.38	3/16 SQ X 1.62 LONG	3/8 SQ X 2.50 LONG	5/8 SQ X 4.00 LONG

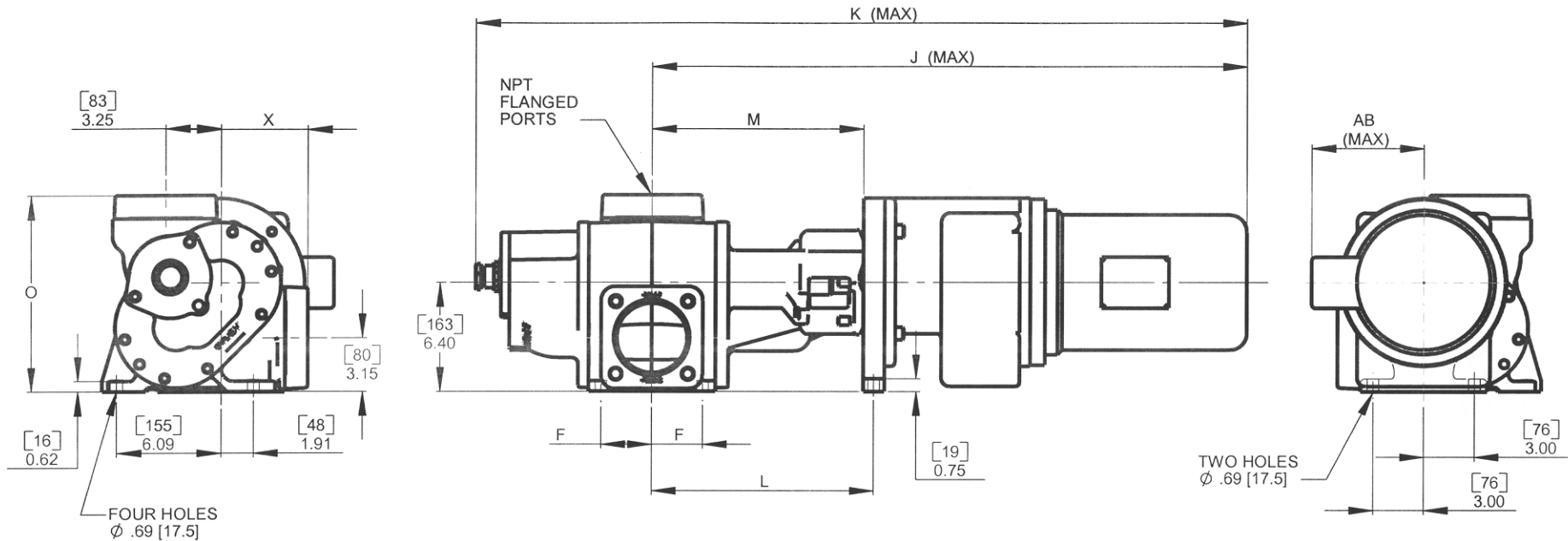
PROPRIETARY NOTICE: THIS DOCUMENT CONTAINS PROPRIETARY AND CONFIDENTIAL INFORMATION WHICH IS THE EXCLUSIVE PROPERTY OF ROPER PUMP COMPANY. COMMERCIAL, GEORGIA AND SHALL NOT BE COMMUNICATED, DISCLOSED, OR REPRODUCED WITHOUT WRITTEN CONSENT OF MANAGEMENT AND SHALL NOT BE DISCLOSED IN ANY MANNER TO OUTSIDE PARTIES WITHOUT PRIOR WRITTEN CONSENT OF MANAGEMENT.

**CERTIFIED DIMENSIONALLY CORRECT FOR:**  
 CUSTOMER  
 CUSTOMER P.O.  
 BY  
 ROPER S.O.  
 DATE

DO NOT SCALE  
 DIMS IN INCHES [MM]  
 PROJECTION



FIGURE  
**CCD/36M**  
 3632-3732 BHF,RV  
 WITH MALE SHAFT  
 SPEC TYPE



PUMP	F	L	M	O	PORTS	X
3643 & 3743 BHF	[60]	[318]	[302]	[288]	3" NPT	[125]
3643 & 3743 BHFRV	2.38	12.53	11.90	11.33	FLANGED	4.93
3648 & 3748 BHF	[76]	[333]	[318]	[292]	4" NPT	[130]
3648 & 3748 BHFRV	3.00	13.13	12.50	11.50	FLANGED	5.10

PUMP	AB (MAX)					J (MAX)					K (MAX)				
	32F	42F	51F	52F	62F	32F	42F	51F	52F	62F	32F	42F	51F	52F	62F
3643 & 3743 BHF						[988]	[1073]	[1007]	[1152]	[1423]	[1218]	[1303]	[1237]	[1382]	[1653]
3643 & 3743 BHFRV	[169]	[226]	[259]	[259]	[325]	38.90	42.24	39.65	45.35	56.03	47.96	51.30	48.71	54.41	65.09
3648 & 3748 BHF						[1003]	[1088]	[1022]	[1167]	[1438]	[1246]	[1331]	[1265]	[1410]	[1681]
3648 & 3748 BHFRV						39.50	42.84	40.25	45.95	56.63	49.06	52.40	49.81	55.51	66.19
											[1269]	[1354]	[1288]	[1433]	[1704]
											49.97	53.31	50.72	56.42	67.10

PROPRIETARY NOTICE: THIS DOCUMENT CONTAINS PROPRIETARY AND CONFIDENTIAL INFORMATION WHICH IS THE EXCLUSIVE PROPERTY OF ROPER PUMP COMPANY, COMMERCE, GEORGIA AND SHALL NOT BE COMMUNICATED, DISCLOSED, OR REPRODUCED WITHOUT WRITTEN CONSENT OF MANAGEMENT AND SHALL NOT BE DISCLOSED IN ANY MANNER TO OUTSIDE PARTIES WITHOUT PRIOR WRITTEN CONSENT OF MANAGEMENT.

CERTIFIED DIMENSIONALLY CORRECT FOR:

CUSTOMER  
CUSTOMER P.O.  
BY

ROPER S.O.  
DATE

DO NOT SCALE  
DIMS IN INCHES [MM]

PROJECTION

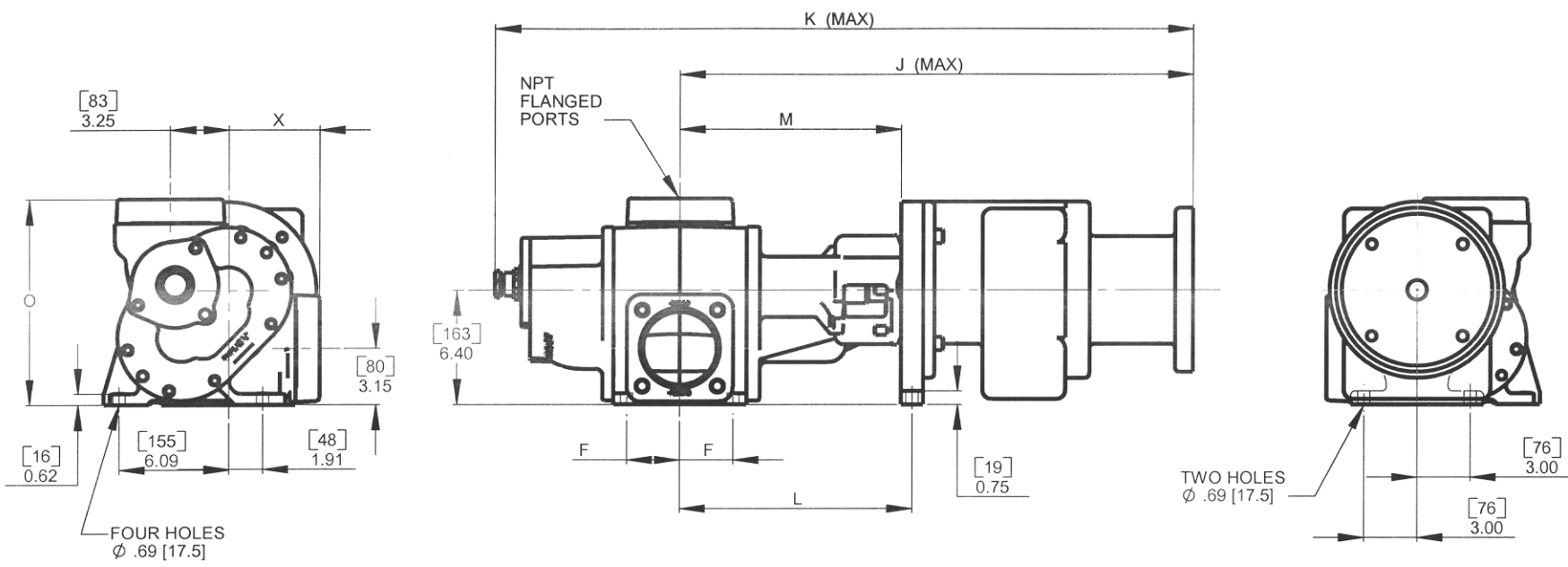


COMMERCE, GA  
U.S.A.

FIGURE  
CCD/36M  
3643-3748 BHF,RV  
WITH GEARMOTOR

SPEC

TYPE



PUMP	F	L	M	O	PORTS	X
3643 & 3743 BHF	[60]	[318]	[302]	[288]	3" NPT	[125]
3643 & 3743 BHFRV	2.38	12.53	11.90	11.33	FLANGED	4.93
3648 & 3748 BHF	[76]	[333]	[318]	[292]	4" NPT	[130]
3648 & 3748 BHFRV	3.00	13.13	12.50	11.50	FLANGED	5.10

PUMP	AVAILABLE NEMA FRAMES					J (MAX)					K (MAX)				
	32F	42F	51F	52F	62F	32F	42F	51F	52F	62F	32F	42F	51F	52F	62F
3643 & 3743 BHF						[721]	[796]	[700]	[845]	[998]	[951]	[1026]	[930]	[1075]	[1228]
3643 & 3743 BHFRV	182TC	213TC	254TC			28.37	31.33	27.56	33.27	39.29	37.43	40.39	36.62	42.33	48.35
	184TC	215TC	256TC	284TC	324TC						[974]	[1049]	[954]	[1099]	[1251]
3648 & 3748 BHF	213TC	254TC	284TC	286TC	326TC						38.35	41.31	37.54	43.25	49.27
	215TC	256TC	286TC			[736]	[811]	[715]	[860]	[1013]	[979]	[1054]	[958]	[1103]	[1256]
3648 & 3748 BHFRV						28.97	31.93	28.16	33.87	39.89	38.53	41.49	37.72	43.43	49.45
											[1002]	[1077]	[981]	[1126]	[1279]
											39.44	42.40	38.63	44.34	50.36

PROPRIETARY NOTICE: THIS DOCUMENT CONTAINS PROPRIETARY AND CONFIDENTIAL INFORMATION WHICH IS THE EXCLUSIVE PROPERTY OF ROPER PUMP COMPANY. COMMERCE, GEORGIA AND SHALL NOT BE COMMUNICATED, DISCLOSED, OR REPRODUCED WITHOUT WRITTEN CONSENT OF MANAGEMENT AND SHALL NOT BE DISCLOSED IN ANY MANNER TO OUTSIDE PARTIES WITHOUT PRIOR WRITTEN CONSENT OF MANAGEMENT.

CERTIFIED DIMENSIONALLY CORRECT FOR:

CUSTOMER  
CUSTOMER P.O.  
BY

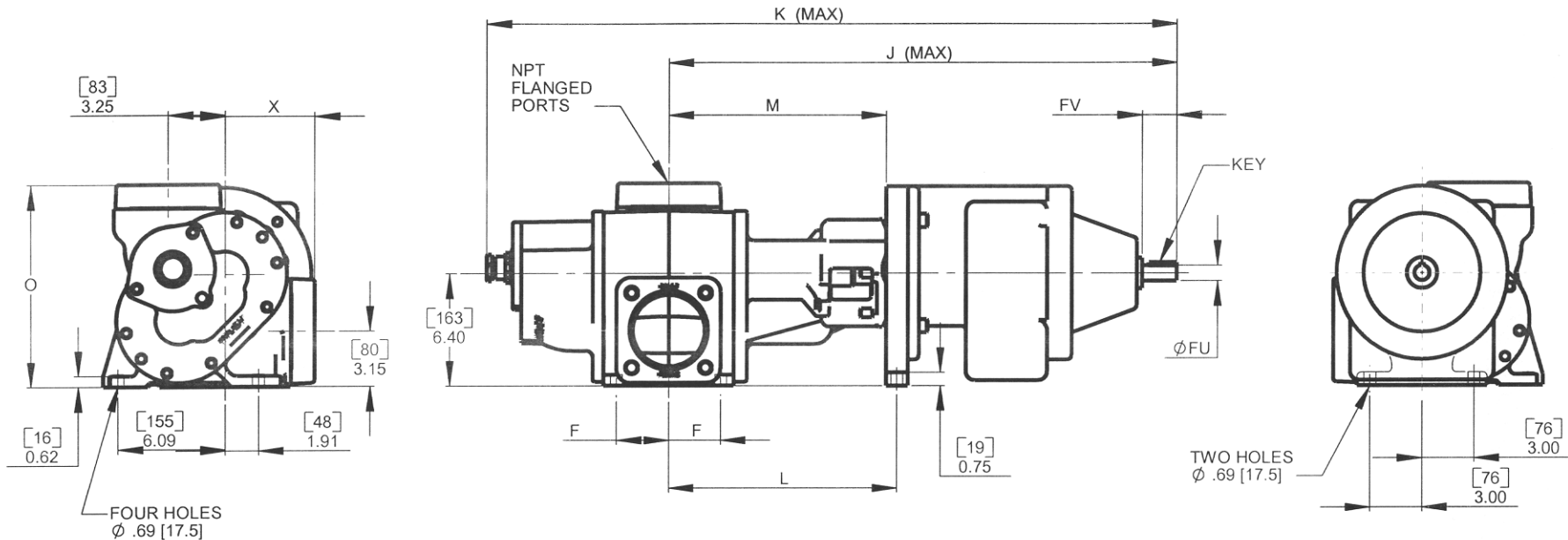
ROPER S.O.  
DATE

DO NOT SCALE  
DIMS IN INCHES [MM]  
PROJECTION



FIGURE  
CCD/36M  
3643-3748 BHF,RV  
WITH NEMA ADAPTER

SPEC TYPE



PUMP	F	L	M	O	PORTS	X
3643 & 3743 BHF	[60]	[318]	[302]	[288]	3" NPT	[125]
3643 & 3743 BHFRV	2.38	12.53	11.90	11.33	FLANGED	4.93
3648 & 3748 BHF	[76]	[333]	[318]	[292]	4" NPT	[130]
3648 & 3748 BHFRV	3.00	13.13	12.50	11.50	FLANGED	5.10

PUMP	FU			FV			KEY			J (MAX)					K (MAX)				
	32F	42F 51F 52F	62F	32F	42F 51F 52F	62F	32F	42F 51F 52F	62F	32F	42F	51F	52F	62F	32F	42F	51F	52F	62F
3643 & 3743 BHF										[726]	[807]	[701]	[846]	[1024]	[956]	[1038]	[931]	[1076]	[1254]
							[4.8 SQ X	[9.5 SQ X	[15.9 SQ X	28.57	31.79	27.61	33.32	40.32	37.63	40.85	36.67	42.38	49.38
3643 & 3743 BHFRV	[22.23]	[38.10]	[41.28]	[50.80]	[79.25]	[111.25]	41.1 LONG	63.5 LONG	101.6 LONG						[979]	[1061]	[955]	[1100]	[1278]
															38.55	41.77	37.59	43.00	50.30
3648 & 3748 BHF	.875	1.50	1.625	2.00	3.12	4.38	3/16 SQ X 1.62 LONG	3/8 SQ X 2.50 LONG	5/8 SQ X 4.00 LONG	[741]	[823]	[716]	[862]	[1039]	[984]	[1066]	[959]	[1104]	[1282]
										29.17	32.39	28.21	33.92	40.92	38.73	41.95	37.77	43.48	50.48
3648 & 3748 BHFRV															[1007]	[1089]	[982]	[1128]	[1305]
															39.64	42.86	38.68	44.39	51.39

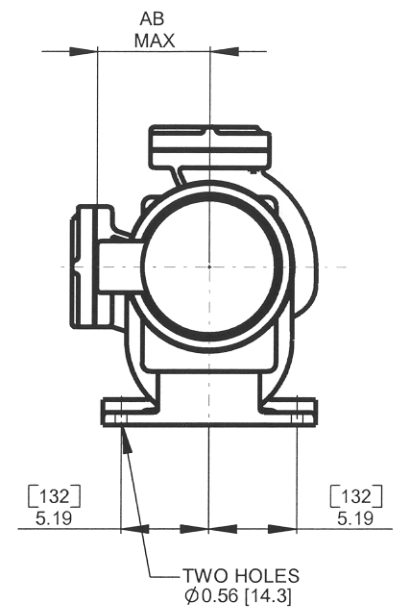
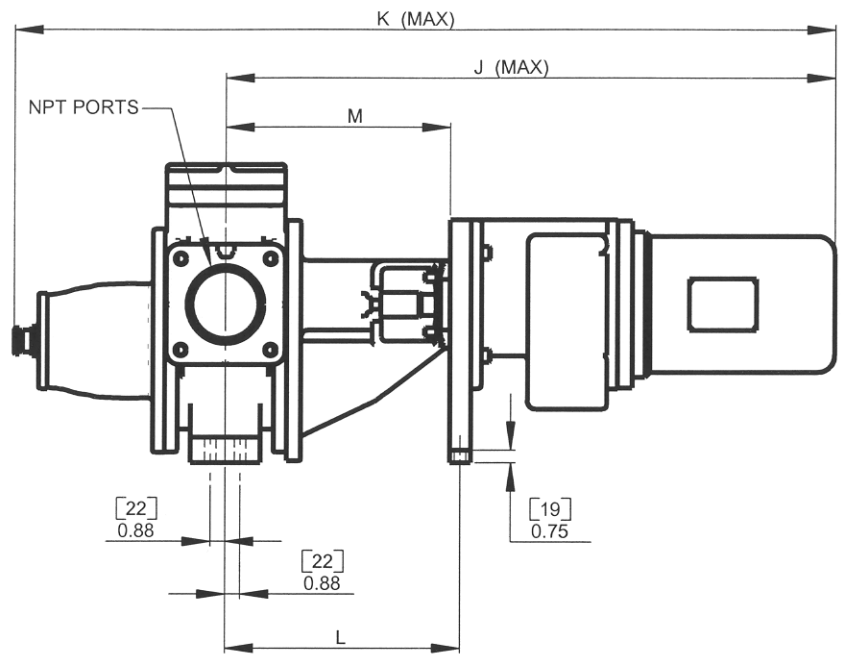
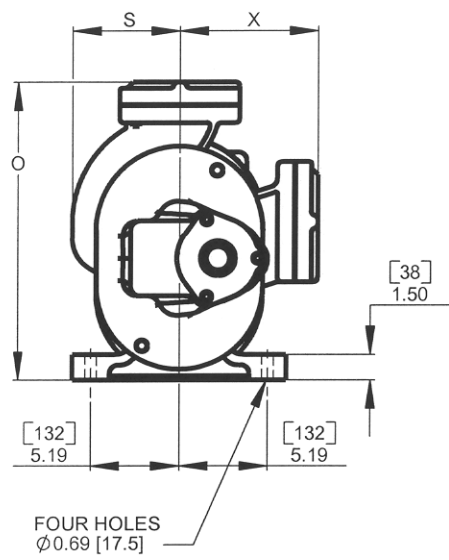
PROPRIETARY NOTICE: THIS DOCUMENT CONTAINS PROPRIETARY AND CONFIDENTIAL INFORMATION WHICH IS THE EXCLUSIVE PROPERTY OF ROPER PUMP COMPANY, COMMERCE, GEORGIA AND SHALL NOT BE COMMUNICATED, DISCLOSED, OR REPRODUCED WITHOUT WRITTEN CONSENT OF MANAGEMENT AND SHALL NOT BE DISCLOSED IN ANY MANNER TO OUTSIDE PARTIES WITHOUT PRIOR WRITTEN CONSENT OF MANAGEMENT.

**CERTIFIED DIMENSIONALLY CORRECT FOR:**  
 CUSTOMER  
 CUSTOMER P.O.  
 BY  
 ROPER S.O.  
 DATE

DO NOT SCALE  
 DIMS IN INCHES (MM)  
 PROJECTION



FIGURE  
**CCD/36M**  
 3643-3748 BHF,RV  
 WITH MALE SHAFT  
 SPEC TYPE



PUMP	L	M	O	PORTS	S	X
3635 & 3735 BH			[397]	3"		[175]
3635 & 3735 BHRV	[315]	[300]	15.63	TAPPED	[152]	6.88
3635 & 3735 BHF	12.42	11.80	[423]	3"	6.00	[201]
3635 & 3735 BHFRV			16.66	FLANGED		7.91
3658 & 3758 BHF	[352]	[336]	[441]	4"	[160]	[206]
3658 & 3758 BHFRV	13.85	13.23	17.35	TAPPED	6.28	8.10

PUMP	AB (MAX)					J (MAX)					K (MAX)				
	32F	42F	51F	52F	62F	32F	42F	51F	52F	62F	32F	42F	51F	52F	62F
3635 & 3735 BH,F						[986]	[1071]	[1005]	[1150]	[1421]	[1177]	[1262]	[1196]	[1341]	[1619]
3635 & 3735 BH,F,RV						38.81	42.15	39.56	45.26	55.94	46.33	49.67	47.08	52.78	63.46
3658 & 3758 BHF	[169]	[226]	[259]	[259]	[325]	[1266]	[1351]	[1285]	[1430]	[1701]	[1266]	[1351]	[1285]	[1430]	[1701]
3658 & 3758 BHFRV	8.03	8.90	10.20	10.20	12.80	49.84	53.18	50.59	56.29	66.97	49.84	53.18	50.59	56.29	66.97
						[1250]	[1335]	[1269]	[1414]	[1685]	[1250]	[1335]	[1269]	[1414]	[1685]
						49.22	52.56	49.97	55.67	66.35	49.22	52.56	49.97	55.67	66.35
						[1339]	[14.24]	[1358]	[1503]	[1774]	[1339]	[14.24]	[1358]	[1503]	[1774]
						40.23	43.57	40.98	46.68	57.36	52.73	56.07	53.48	59.18	69.86

PROPRIETARY NOTICE: THIS DOCUMENT CONTAINS PROPRIETARY AND CONFIDENTIAL INFORMATION WHICH IS THE EXCLUSIVE PROPERTY OF ROPER PUMP COMPANY, COMMERCE, GEORGIA AND SHALL NOT BE COMMUNICATED, DISCLOSED, OR REPRODUCED WITHOUT WRITTEN CONSENT OF MANAGEMENT AND SHALL NOT BE DISCLOSED IN ANY MANNER TO OUTSIDE PARTIES WITHOUT PRIOR WRITTEN CONSENT OF MANAGEMENT.

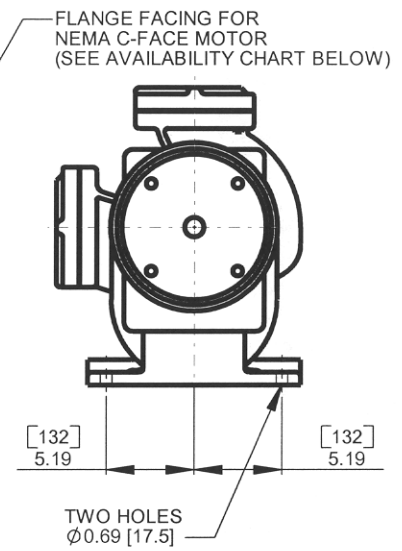
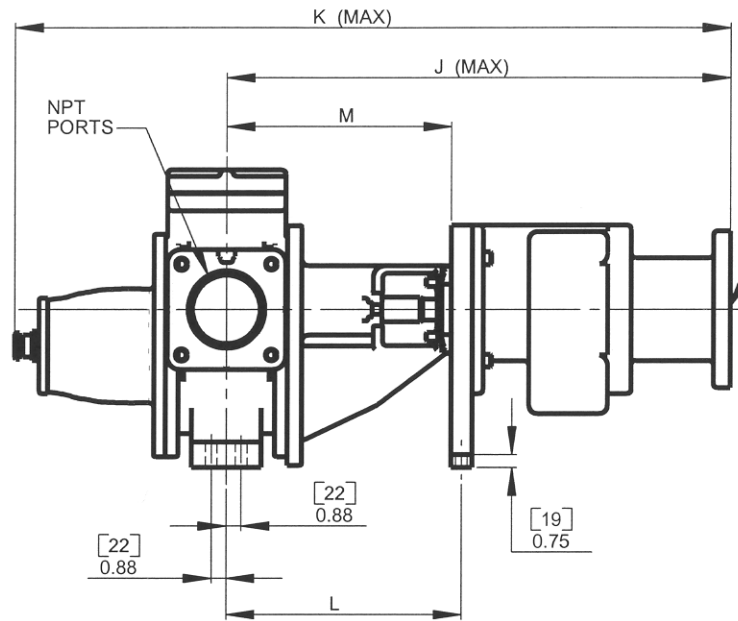
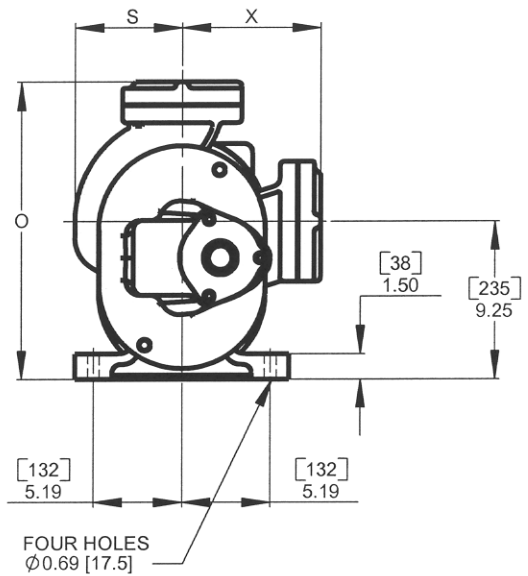
**CERTIFIED DIMENSIONALLY CORRECT FOR:**  
 CUSTOMER P.O.  
 BY

DO NOT SCALE  
 DIMS IN INCHES [MM]  
 PROJECTION



FIGURE CCD/36L  
 3635-3758 BH,F,RV WITH GEARMOTOR  
 SPEC TYPE

ROPER S.O.  
 DATE



PUMP	L	M	O	PORTS	S	X
3635 & 3735 BH			[397]	3"		[175]
3635 & 3735 BHRV	[315]	[300]	15.63	TAPPED	[152]	6.88
3635 & 3735 BHF	12.42	11.80	[423]	3"	6.00	[201]
3635 & 3735 BHFRV			16.66	FLANGED		7.91
3658 & 3758 BHF	[352]	[336]	[441]	4"	[160]	[206]
3658 & 3758 BHFRV	13.85	13.23	17.35	TAPPED	6.28	8.10

PUMP	AVAILABLE NEMA FRAMES					J (MAX)					K (MAX)				
	32F	42F	51F	52F	62F	32F	42F	51F	52F	62F	32F	42F	51F	52F	62F
3635 & 3735 BH,F						[718] 28.28	[794] 31.24	[698] 27.47	[843] 33.18	[996] 39.20	[909] 35.80	[985] 38.76	[889] 34.99	[1034] 40.70	[1187] 46.72
3635 & 3735 BH,F,RV	182TC	213TC	254TC	284TC	324TC						[999] 39.31	[1074] 42.27	[978] 38.50	[1123] 44.21	[1276] 50.23
3658 & 3758 BHF	213TC	254TC	284TC	286TC	326TC						[983] 38.69	[1058] 41.65	[962] 37.88	[1107] 43.59	[1260] 49.67
3658 & 3758 BHFRV	215TC	256TC	286TC			[754] 29.70	[830] 32.66	[734] 28.89	[879] 34.60	[1032] 40.62	[1072] 42.20	[1147] 45.16	[1051] 41.39	[1196] 47.10	[1349] 53.12

PROPRIETARY NOTICE: THIS DOCUMENT CONTAINS PROPRIETARY AND CONFIDENTIAL INFORMATION WHICH IS THE EXCLUSIVE PROPERTY OF ROPER PUMP COMPANY, COMMERCE, GEORGIA AND SHALL NOT BE COMMUNICATED, DISCLOSED, OR REPRODUCED WITHOUT WRITTEN CONSENT OF MANAGEMENT AND SHALL NOT BE DISCLOSED IN ANY MANNER TO OUTSIDE PARTIES WITHOUT PRIOR WRITTEN CONSENT OF MANAGEMENT.

**CERTIFIED DIMENSIONALLY CORRECT FOR:**  
 CUSTOMER  
 CUSTOMER P.O.  
 BY

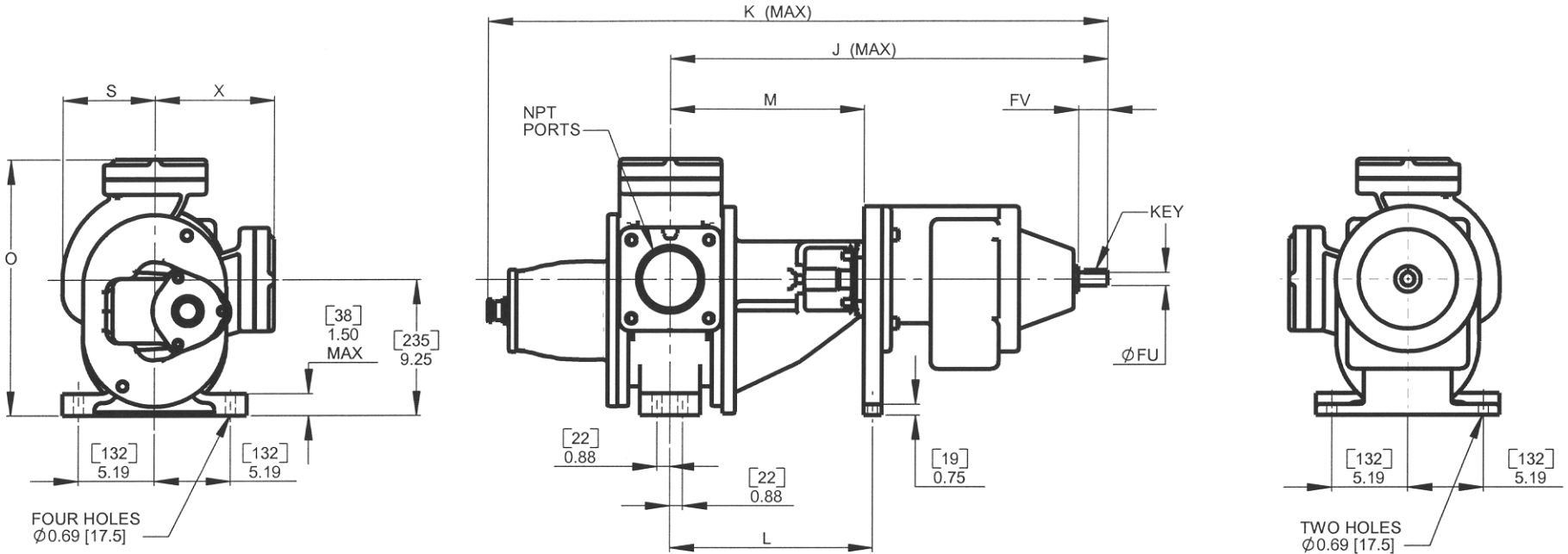
ROPER S.O.  
 DATE

DO NOT SCALE  
 DIMS IN INCHES (MM)  
 PROJECTION



FIGURE  
**CCD/36L**  
 3635-3758 BH,F,RV  
 WITH NEMA ADAPTER

SPEC TYPE



PUMP	L	M	O	PORTS	S	X	PUMP	FU			FV			KEY			J (MAX)					K (MAX)					
								32F	42F	62F	32F	42F	62F	32F	42F	62F	32F	42F	51F	52F	62F	32F	42F	51F	52F	62F	
								51F	52F																		
3635 & 3735 BH			[397]	3"		[175]	3635 & 3735								[723]	[805]	[699]	[844]	[1022]	[914]	[996]	[890]	[1035]	[1213]			
3635 & 3735 BHRV	[315]	[300]	15.63	TAPPED	[152]	6.88	BH,F							28.48	31.70	27.52	33.23	40.23	36.00	39.42	35.04	40.75	47.75				
3635 & 3735 BHF	12.42	11.80	[423]	3"	6.00	[201]	3635 & 3735												[1004]	[1085]	[979]	[1124]	[1302]				
3635 & 3735 BHFRV			16.66	FLANGED		7.91	BH,F,RV	[22.23]	[38.10]	[41.28]	[50.80]	[79.25]	[111.25]	4.8 SQ X 41.1 LONG	9.5 SQ X 63.5 LONG	15.9 SQ X 101.6 LONG 5/8 SQ X 4.00 LONG			39.51	42.73	38.55	44.26	51.26				
3658 & 3758 BHF	[352]	[336]	[441]	4"	[160]	[206]	BHF	.875	1.50	1.625	2.00	3.12	4.38	3/16 SQ X 1.62 LONG	3/8 SQ X 2.50 LONG				[988]	[1070]	[963]	[1108]	[1286]				
3658 & 3758 BHFRV	13.85	13.23	17.35	TAPPED	6.28	8.10	BHFRV											[759]	[841]	[735]	[880]	[1058]	[988]	[1070]	[963]	[1108]	[1286]
																			38.89	42.11	37.93	43.64	50.64				
																			[1077]	[1159]	[1053]	[1198]	[1375]				
																			42.40	45.62	41.44	47.15	54.15				

PROPRIETARY NOTICE: THIS DOCUMENT CONTAINS PROPRIETARY AND CONFIDENTIAL INFORMATION WHICH IS THE EXCLUSIVE PROPERTY OF ROPER PUMP COMPANY, COMMERCE, GEORGIA AND SHALL NOT BE COMMUNICATED, DISCLOSED, OR REPRODUCED WITHOUT WRITTEN CONSENT OF MANAGEMENT AND SHALL NOT BE DISCLOSED IN ANY MANNER TO OUTSIDE PARTIES WITHOUT PRIOR WRITTEN CONSENT OF MANAGEMENT.

**CERTIFIED DIMENSIONALLY CORRECT FOR:**  
 CUSTOMER  
 CUSTOMER P.O.  
 BY

ROPER S.O.  
 DATE

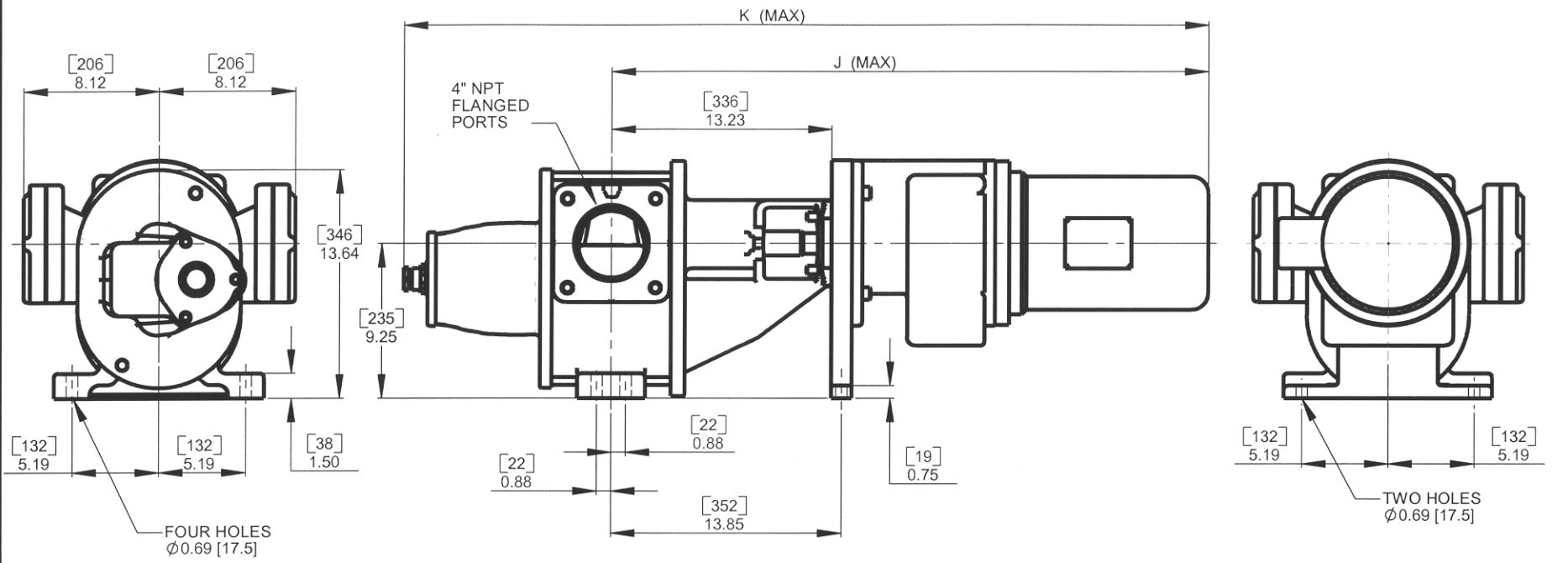
DO NOT SCALE  
 DIMS IN INCHES (MM)

PROJECTION

**ROPER**  
 PUMPS  
 COMMERCE, GA  
 U.S.A.

FIGURE  
**CCD/36L**  
 3635-3758 BH,F,RV  
 WITH MALE SHAFT

SPEC TYPE



PUMP	AB (MAX)					J (MAX)					K (MAX)				
	32F	42F	51F	52F	62F	32F	42F	51F	52F	62F	32F	42F	51F	52F	62F
4658 & 4758 BHF	[169] 8.03	[226] 8.90	[259] 10.20	[259] 10.20	[325] 12.80	[1022] 40.23	[1107] 43.57	[1041] 40.98	[1186] 46.68	[1457] 57.36	[1250] 49.22	[1335] 52.56	[1269] 49.97	[1414] 55.67	[1685] 66.35
4658 & 4758 BHF RV											[1339] 52.73	[1424] 56.07	[1359] 53.48	[1503] 59.18	[1774] 69.86

PROPRIETARY NOTICE: THIS DOCUMENT CONTAINS PROPRIETARY AND CONFIDENTIAL INFORMATION WHICH IS THE EXCLUSIVE PROPERTY OF ROPER PUMP COMPANY, COMMERCE, GEORGIA AND SHALL NOT BE COMMUNICATED, DISCLOSED, OR REPRODUCED WITHOUT WRITTEN CONSENT OF MANAGEMENT AND SHALL NOT BE DISCLOSED IN ANY MANNER TO OUTSIDE PARTIES WITHOUT PRIOR WRITTEN CONSENT OF MANAGEMENT.

**CERTIFIED DIMENSIONALLY CORRECT FOR:**  
 CUSTOMER  
 CUSTOMER P.O.  
 BY

ROPER S.O.  
 DATE

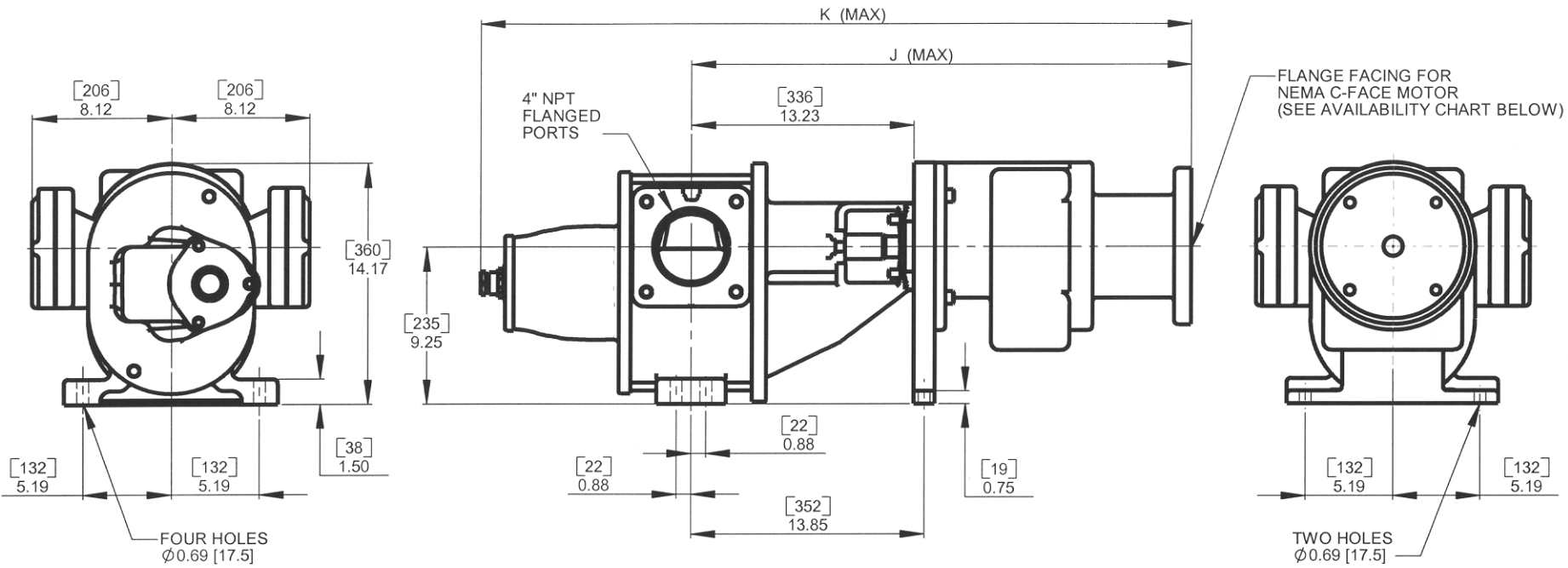
DO NOT SCALE  
 DIMS IN INCHES [MM]  
 PROJECTION



FIGURE  
**CCD/36L**  
 4658-4758 BHF,RV  
 WITH GEARMOTOR

SPEC TYPE





PUMP	AVAILABLE NEMA FRAMES					J (MAX)					K (MAX)				
	32F	42F	51F	52F	62F	32F	42F	51F	52F	62F	32F	42F	51F	52F	62F
4658 & 4758 BHF	182TC	213TC	254TC	284TC	324TC	[754]	[830]	[734]	[879]	[1032]	[983]	[1058]	[962]	[1107]	[1260]
	184TC	215TC	256TC	284TC	324TC	29.70	32.66	28.89	34.60	40.62	38.69	41.65	37.88	43.59	49.67
4658 & 4758 BHFRV	213TC	254TC	284TC	286TC	326TC						[1072]	[1147]	[1051]	[1196]	[1349]
	215TC	256TC	286TC								42.20	45.16	41.39	47.10	53.12

PROPRIETARY NOTICE: THIS DOCUMENT CONTAINS PROPRIETARY AND CONFIDENTIAL INFORMATION WHICH IS THE EXCLUSIVE PROPERTY OF ROPER PUMP COMPANY, COMMERCE, GEORGIA AND SHALL NOT BE COMMUNICATED, DISCLOSED, OR REPRODUCED WITHOUT WRITTEN CONSENT OF MANAGEMENT AND SHALL NOT BE DISCLOSED IN ANY MANNER TO OUTSIDE PARTIES WITHOUT PRIOR WRITTEN CONSENT OF MANAGEMENT.

**CERTIFIED DIMENSIONALLY CORRECT FOR:**

CUSTOMER  
CUSTOMER P.O.  
BY

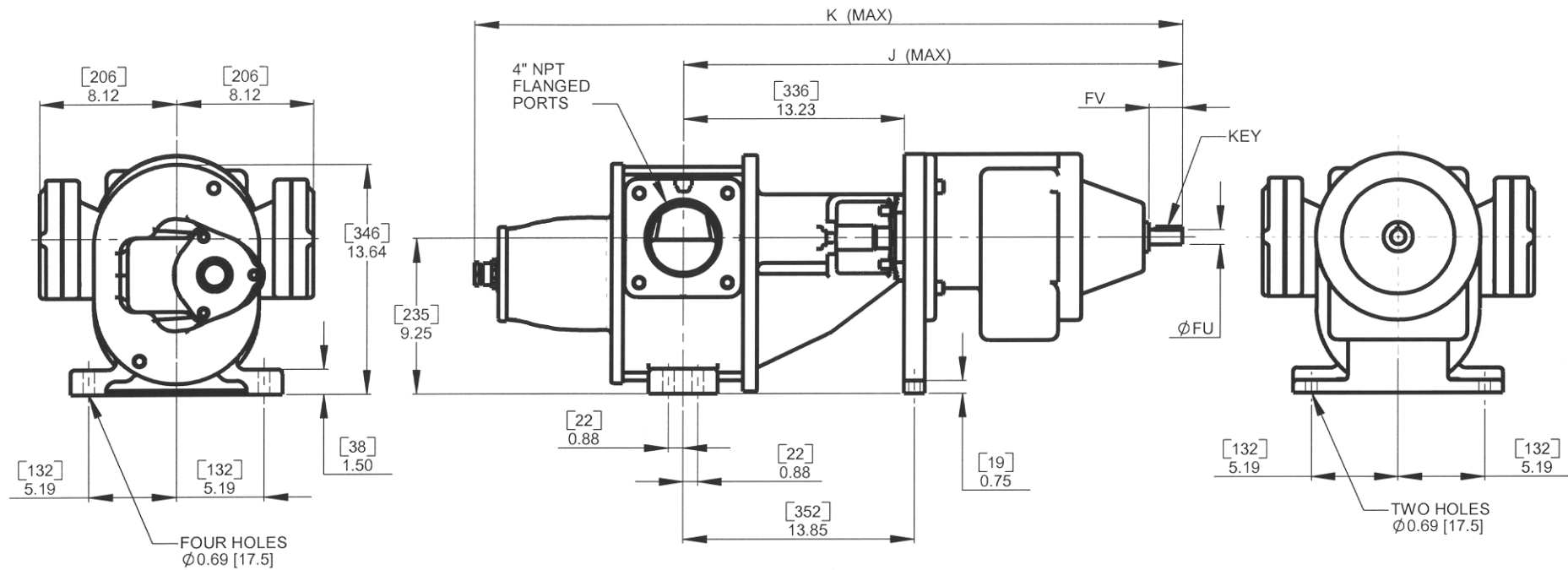
ROPER S.O.  
DATE

DO NOT SCALE  
DIMS IN INCHES [MM]  
PROJECTION



FIGURE  
CCD/36L  
4658-4758 BHF,RV  
WITH NEMA ADAPTER

SPEC TYPE



PUMP	FU			FV			KEY			J (MAX)					K (MAX)				
	32F	42F 51F 52F	62F	32F	42F 51F 52F	62F	32F	42F 51F 52F	62F	32F	42F	51F	52F	62F	32F	42F	51F	52F	62F
4658 & 4758 BHF	[22.23]	[38.10]	[41.28]	[50.80]	[79.25]	[111.25]	[4.8 SQ X 41.1 LONG]	[9.5 SQ X 63.5 LONG]	[15.9 SQ X 101.6 LONG]	[760]	[841]	[735]	[880]	[1058]	[988]	[1070]	[963]	[1109]	[1286]
4658 & 4758 BHFRV	.875	1.50	1.625	2.00	3.12	4.38	3/16 SQ X 1.62 LONG	3/8 SQ X 2.50 LONG	5/8 SQ X 4.00 LONG	29.90	33.12	28.94	34.65	41.65	38.89	42.11	37.93	43.64	50.64
															[1077]	[1159]	[1053]	[1198]	[1375]
															42.40	45.62	41.44	47.15	54.15

PROPRIETARY NOTICE: THIS DOCUMENT CONTAINS PROPRIETARY AND CONFIDENTIAL INFORMATION WHICH IS THE EXCLUSIVE PROPERTY OF ROPER PUMP COMPANY, COMMERCE, GEORGIA AND SHALL NOT BE COMMUNICATED, DISCLOSED, OR REPRODUCED WITHOUT WRITTEN CONSENT OF MANAGEMENT AND SHALL NOT BE DISCLOSED IN ANY MANNER TO OUTSIDE PARTIES WITHOUT PRIOR WRITTEN CONSENT OF MANAGEMENT.

**CERTIFIED DIMENSIONALLY CORRECT FOR:**  
 CUSTOMER  
 CUSTOMER P.O.  
 BY

ROPER S.O.  
 DATE

DO NOT SCALE  
 DIMS IN INCHES [MM]  
 PROJECTION



FIGURE  
**CCD/36L**  
 4658-4758 BHF,RV  
 WITH MALE SHAFT

SPEC TYPE