

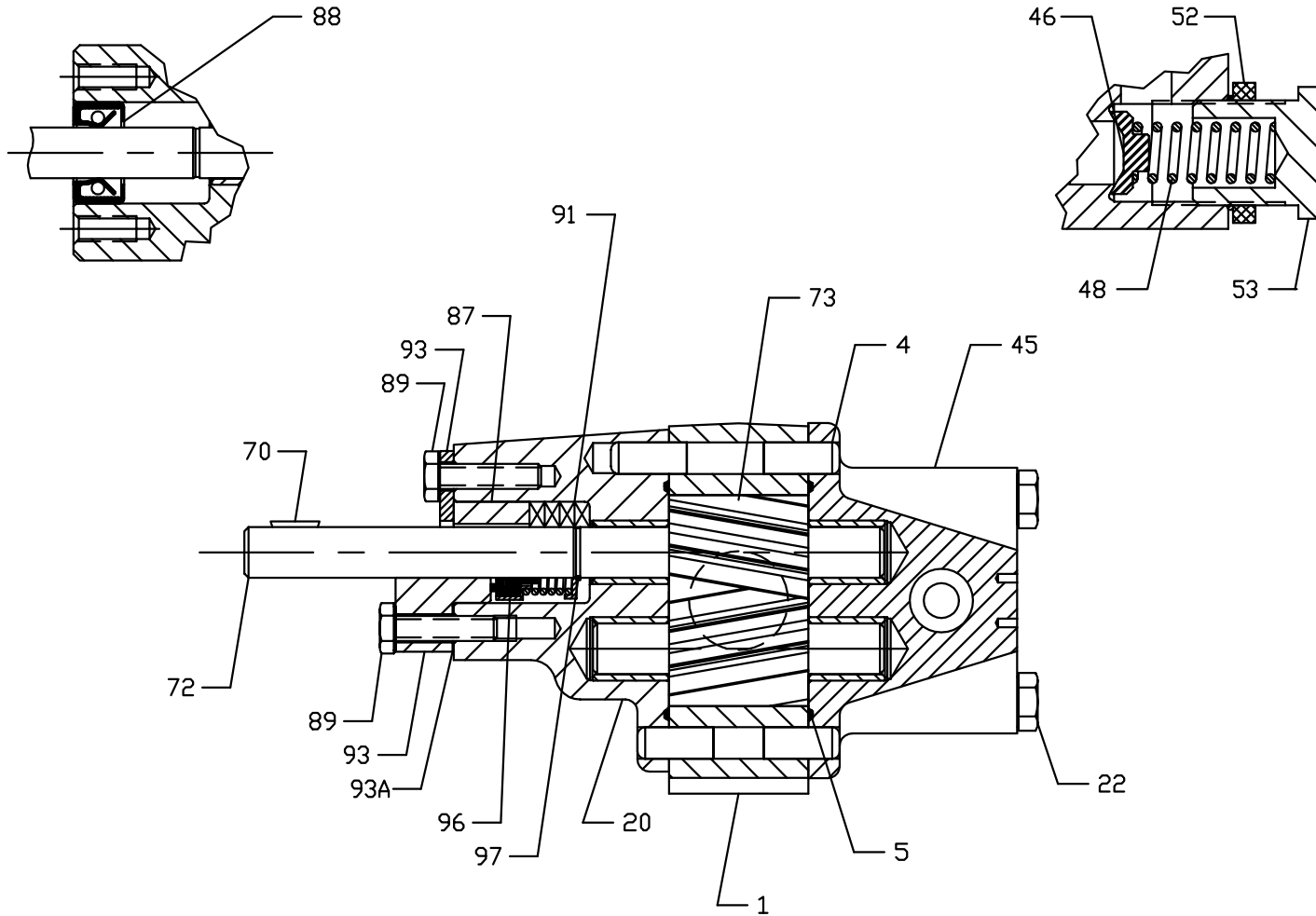
17 & 18 AL, AM, AP 005-02 TYPE 2

17, 18 AL, AM, AP 005-02 TYPE 2

KEY NO.	DESCRIPTION	A005		A01		A02	
		QTY	PART NO.	QTY	PART NO.	QTY	PART NO.
1	Case	1	P1-1058	1	P1-1054	1	P1-1055
4	Dowel Pin	2	G48-43	2	G48-59	4	G48-42
5	"O" Ring, Case	2	G68-108	2	G68-108	2	G68-108
12	Nut	2	G44-031	2	G44-031	2	G44-031
20	Backplate Assy, Brz Brgs	1	N2-1499	1	N2-1499	1	N2-1499
22	Hex Hd Cap Screw, Plain	2	G49-031100	2	G49-031125	2	G49-031175
	Hex Hd Cap Screw, RV	2	G49-031275	2	G49-031300	2	G49-031325
45	Faceplate Assy, Plain, Brz Brgs	1	N3-724	1	N3-724	1	N3-724
	Faceplate Assy, RV, Brz Brgs	1	N3-727	1	N3-727	1	N3-727
46	Poppet	1	D16-113	1	D16-113	1	D16-113
48	Spring, Std Press	1	G10-389	1	G10-389	1	G10-389
	Spring, High Press	1	G10-390	1	G10-390	1	G10-390
52	Nut, Lock & Seal	1	G33-31	1	G33-31	1	G33-31
53	Adjusting Screw	1	D15-43	1	D15-43	1	D15-43
55	Stud, Plain	2	D22-3	2	D22-4	2	D22-5
	Stud, RV	2	D22-8	2	D22-134	2	D22-135
70	Key, Drive	1	D30-80	1	D30-80	1	D30-80
72	Drive Shaft & Gear	1	D2-1415	1	D2-1416	1	D2-1417
73	Idler Shaft & Gear	1	D2-1265	1	D2-1267	1	D2-1269
87	Pkg Gland, Pkg	1	D5-443	1	D5-443	1	D5-443
88	Lip Seal	1	D83-20	1	D83-20	1	D83-20
89	Hex Hd Cap Screw	2	G49-025100	2	G49-025100	2	G49-025100
91	Pkg Rings, Pkg	4	G14-193	4	G14-193	4	G14-193
93	Retainer, Pkg	1	D8-374	1	D8-374	1	D8-374
	Brg Cage Assy, Mech Seal	1	N8-42	1	N8-42	1	N8-42
93A	Brg Cage Gasket, Mech Seal	1	G11-14	1	G11-14	1	G11-14
96	Mech Seal	1	G14-263	1	G14-263	1	G14-263
97	Ret Ring	1	G41-72	1	G41-72	1	G41-72

Backplate Assy includes Brz Brgs: (2) G5-371

Faceplate Assy includes Brz Brgs: (2) G5-371



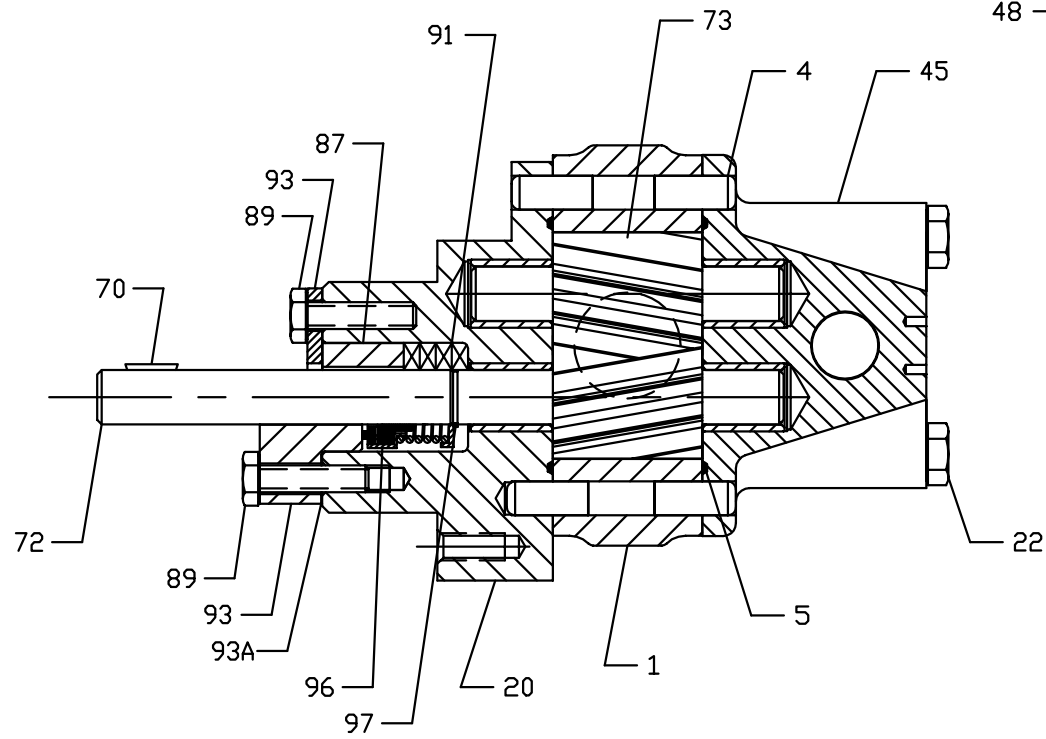
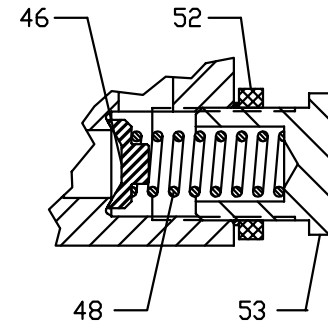
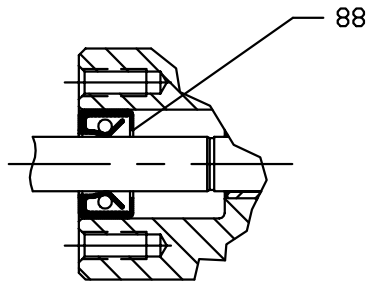
1 & 2 AL, AM, AP 03 TYPE 2

1, 2 AL, AM, AP 03 TYPE 2

KEY NO.	DESCRIPTION	A03	
		QTY	PART NO.
1	Case	1	P1-1056
4	Dowel Pin	4	G48-42
5	"O" Ring, Case	2	G68-108
20	Backplate Assy, Brz Brgs	1	N2-1505
22	Hex Hd Cap Screw, Plain	4	G49-031200
	Hex Hd Cap Screw, RV	4	G49-031375
45	Faceplate Assy, Plain, Brz Brgs	1	N3-724
	Faceplate Assy, RV, Brz Brgs	1	N3-727
46	Poppet	1	D16-113
48	Spring, Std Press	1	G10-389
	Spring, High Press	1	G10-390
52	Nut, Lock & Seal	1	G33-31
53	Adjusting Screw	1	D15-43
70	Key, Drive	1	D30-80
72	Drive Shaft & Gear	1	D2-1015
73	Idler Shaft & Gear	1	D2-1271
87	Pkg Gland, Pkg	1	D5-443
88	Lip Seal	1	D83-20
89	Hex Hd Cap Screw	2	G49-025100
91	Pkg Rings, Pkg	4	G14-193
93	Retainer, Pkg	1	D8-374
	Brg Cage Assy, Mech Seal	1	N8-42
93A	Brg Cage Gasket, Mech Seal	1	G11-14
96	Mech Seal	1	G14-263
97	Ret Ring	1	G41-72

Backplate Assy includes Brz Brgs: (2) G5-371

Faceplate Assy includes Brz Brgs: (2) G5-371



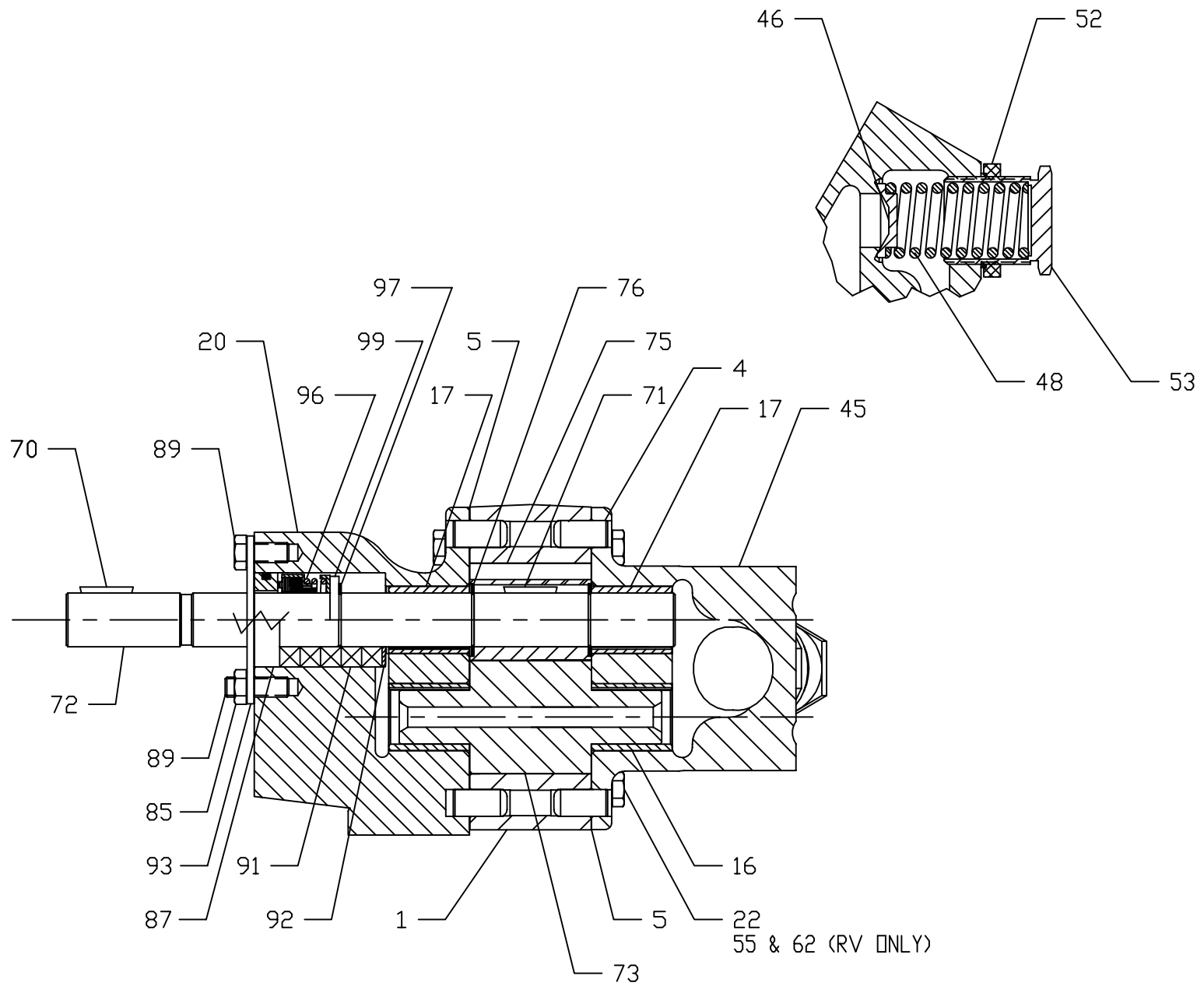
17 & 18 AL, AM, AP 03 TYPE 2

17, 18 AL, AM, AP 03 TYPE 2

KEY NO.	DESCRIPTION	A03	
		QTY	PART NO.
1	Case	1	P1-1057
4	Dowel Pin	4	G48-42
5	"O" Ring, Case	2	G68-108
20	Backplate Assy, Brz Brgs	1	N2-1502
22	Hex Hd Cap Screw, Plain	4	G49-031200
	Hex Hd Cap Screw, RV	4	G49-031375
45	Faceplate Assy, Plain, Brz Brgs	1	N3-724
	Faceplate Assy, RV, Brz Brgs	1	N3-727
46	Poppet	1	D16-113
48	Spring, Std Press	1	G10-389
	Spring, High Press	1	G10-390
52	Nut, Lock & Seal	1	G33-31
53	Adjusting Screw	1	D15-43
70	Key, Drive	1	D30-80
72	Drive Shaft & Gear	1	D2-1015
73	Idler Shaft & Gear	1	D2-1271
87	Pkg Gland, Pkg	1	D5-443
88	Lip Seal	1	D83-20
89	Hex Hd Cap Screw	2	G49-025100
91	Pkg Rings, Pkg	4	G14-193
93	Retainer, Pkg	1	D8-374
	Brg Cage Assy, Mech Seal	1	N8-42
93A	Brg Cage Gasket, Mech Seal	1	G11-14
96	Mech Seal	1	G14-263
97	Ret Ring	1	G41-72

Backplate Assy includes Brz Brgs: (2) G5-371

Faceplate Assy includes Brz Brgs: (2) G5-371



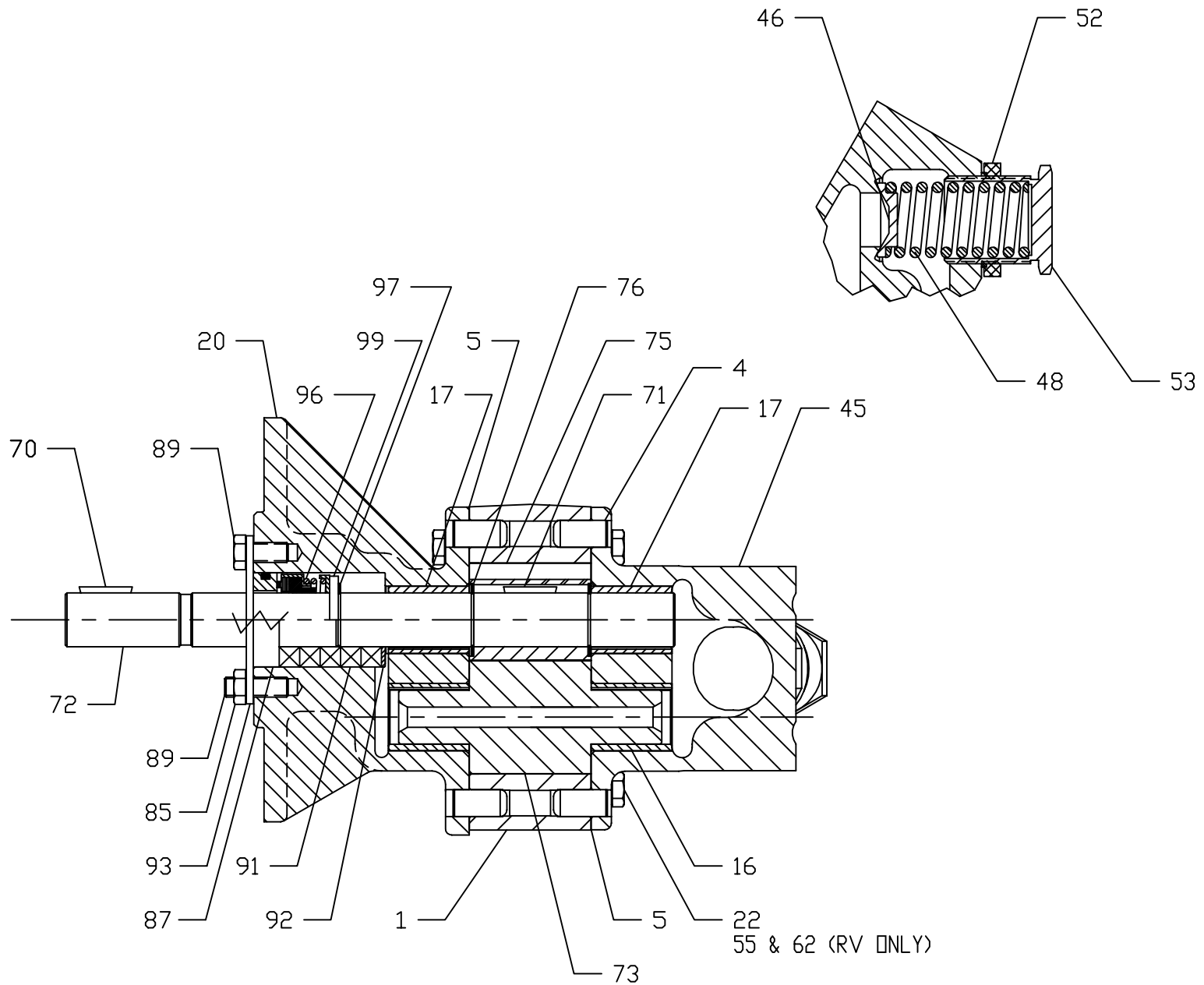
1 & 2 AM, AP 06-16

1, 2 AM, AP 06-16

KEY NO.	DESCRIPTION	A06		A08		A12		A16	
		QTY	PART NO.	QTY	PART NO.	QTY	PART NO.	QTY	PART NO.
1	Case	1	P1-735	1	P1-242	1	P1-552	1	P1-553
4	Dowel Pin	4	G48-192	4	G48-192	4	G48-192	4	G48-192
5	Case Gasket	2	D11-257	2	D11-257	2	D11-257	2	D11-257
20	Backplate Assy, Brz Brgs	1	N2-799	1	N2-799	1	N2-799	1	N2-799
22	Hex Hd Cap Screw, Plain	8	G49-037200	8	G49-037225	8	G49-037275	8	G49-037325
	Hex Hd Cap Screw, RV	4	G49-037200	4	G49-037225	4	G49-037275	4	G49-037325
45	Faceplate Assy, Plain, Brz Brgs	1	N3-341	1	N3-341	1	N3-341	1	N3-341
	Faceplate Assy, RV, Brz Brgs	1	N3-340	1	N3-340	1	N3-340	1	N3-340
46	Poppet	1	D16-114	1	D16-114	1	D16-114	1	D16-114
48	Spring, Std Press	1	G10-399	1	G10-399	1	G10-399	1	G10-399
	Spring, High Press	1	G10-400	1	G10-400	1	G10-400	1	G10-400
52	Nut, Lock & Seal	1	G33-32	1	G33-32	1	G33-32	1	G33-32
53	Adjusting Screw	1	D15-44	1	D15-44	1	D15-44	1	D15-44
55	Hex Hd Cap Screw, RV	2	G49-037300	2	G49-037325	2	G49-037375	2	G49-037450
62	Hex Hd Cap Screw, RV	2	G49-037425	2	G49-037450	2	G49-037500	2	G49-037575
70	Key, Drive	1	D30-32	1	D30-32	1	D30-32	1	D30-32
71	Key, Gear	1	D30-187	1	D30-187	1	D30-187	1	D30-187
72	Drive Shaft	1	D1-2137	1	D1-1758	1	D1-1759	1	D1-1760
73	Idler Shaft & Gear	1	D2-2009	1	D2-2010	1	D2-2011	1	D2-2012
75	Gear, RH	1	D6-1149	1	D6-1150	1	D6-1151	1	D6-1152
76	Ret Ring	2	G41-148	2	G41-148	2	G41-148	2	G41-148
85	Nut, Pkg	2	G44-037	2	G44-037	2	G44-037	2	G44-037
87	Pkg Gland, Pkg	1	D5-453	1	D5-453	1	D5-453	1	D5-453
89	Stud, Pkg	2	G2-110	2	G2-110	2	G2-110	2	G2-110
	Hex Hd Cap Screw, Mech Seal	2	G49-037050	2	G49-037050	2	G49-037050	2	G49-037050
91	Pkg Rings, Pkg	5	G14-63	5	G14-63	5	G14-63	5	G14-63
92	Pkg Washer, Pkg	1	G8-250	1	G8-250	1	G8-250	1	G8-250
93	Seal Retainer	1	D8-383	1	D8-383	1	D8-383	1	D8-383
96	Mech Seal, Complete	1	G4-397	1	G4-397	1	G4-397	1	G4-397
97	Ret Ring	1	G41-43	1	G41-43	1	G41-43	1	G41-43
99	Seal Locator Ring, Mech Seal	1	D8-468	1	D8-468	1	D8-468	1	D8-468

Backplate Assy includes Brz Brgs: (2) G5-139

Faceplate Assy includes Brz Brgs: (2) G5-139



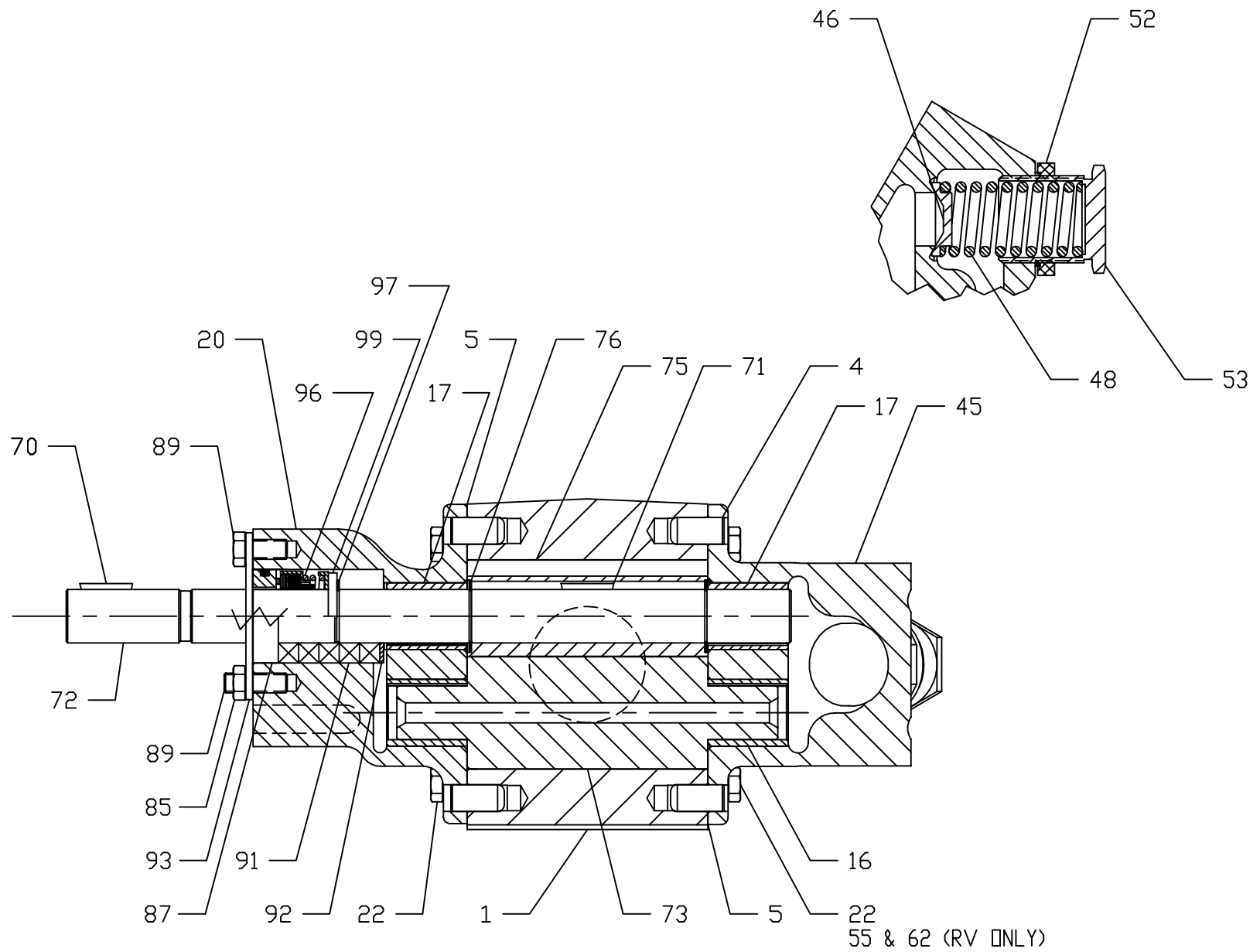
17 & 18 AM, AP 06-16

17, 18 AM, AP 06-16

KEY NO.	DESCRIPTION	A06		A08		A12		A16	
		QTY	PART NO.	QTY	PART NO.	QTY	PART NO.	QTY	PART NO.
1	Case	1	P1-735	1	P1-242	1	P1-552	1	P1-553
4	Dowel Pin	4	G48-192	4	G48-192	4	G48-192	4	G48-192
5	Case Gasket	2	D11-257	2	D11-257	2	D11-257	2	D11-257
20	Backplate Assy, Brz Brgs	1	N2-812	1	N2-812	1	N2-812	1	N2-812
22	Hex Hd Cap Screw, Plain	8	G49-037200	8	G49-037225	8	G49-037275	8	G49-037325
	Hex Hd Cap Screw, RV	4	G49-037200	4	G49-037225	4	G49-037275	4	G49-037325
45	Faceplate Assy, Plain, Brz Brgs	1	N3-341	1	N3-341	1	N3-341	1	N3-341
	Faceplate Assy, RV, Brz Brgs	1	N3-340	1	N3-340	1	N3-340	1	N3-340
46	Poppet	1	D16-114	1	D16-114	1	D16-114	1	D16-114
48	Spring, Std Press	1	G10-399	1	G10-399	1	G10-399	1	G10-399
	Spring, High Press	1	G10-400	1	G10-400	1	G10-400	1	G10-400
52	Nut, Lock & Seal	1	G33-32	1	G33-32	1	G33-32	1	G33-32
53	Adjusting Screw	1	D15-44	1	D15-44	1	D15-44	1	D15-44
55	Hex Hd Cap Screw, RV	2	G49-037300	2	G49-037325	2	G49-037375	2	G49-037450
62	Hex Hd Cap Screw, RV	2	G49-037425	2	G49-037450	2	G49-037500	2	G49-037575
70	Key, Drive	1	D30-32	1	D30-32	1	D30-32	1	D30-32
71	Key, Gear	1	D30-187	1	D30-187	1	D30-187	1	D30-187
72	Drive Shaft	1	D1-2137	1	D1-1758	1	D1-1759	1	D1-1760
73	Idler Shaft & Gear	1	D2-2009	1	D2-2010	1	D2-2011	1	D2-2012
75	Gear, RH	1	D6-1149	1	D6-1150	1	D6-1151	1	D6-1152
76	Ret Ring	2	G41-148	2	G41-148	2	G41-148	2	G41-148
85	Nut, Pkg	2	G44-037	2	G44-037	2	G44-037	2	G44-037
87	Pkg Gland, Pkg	1	D5-453	1	D5-453	1	D5-453	1	D5-453
89	Stud, Pkg	2	G2-110	2	G2-110	2	G2-110	2	G2-110
	Hex Hd Cap Screw, Mech Seal	2	G49-037050	2	G49-037050	2	G49-037050	2	G49-037050
91	Pkg Rings, Pkg	5	G14-63	5	G14-63	5	G14-63	5	G14-63
92	Pkg Washer, Pkg	1	G8-250	1	G8-250	1	G8-250	1	G8-250
93	Seal Retainer	1	D8-383	1	D8-383	1	D8-383	1	D8-383
96	Mech Seal, Complete	1	G4-397	1	G4-397	1	G4-397	1	G4-397
97	Ret Ring	1	G41-43	1	G41-43	1	G41-43	1	G41-43
99	Seal Locator Ring, Mech Seal	1	D8-468	1	D8-468	1	D8-468	1	D8-468

Backplate Assy includes Brz Brgs: (2) G5-139

Faceplate Assy includes Brz Brgs: (2) G5-139



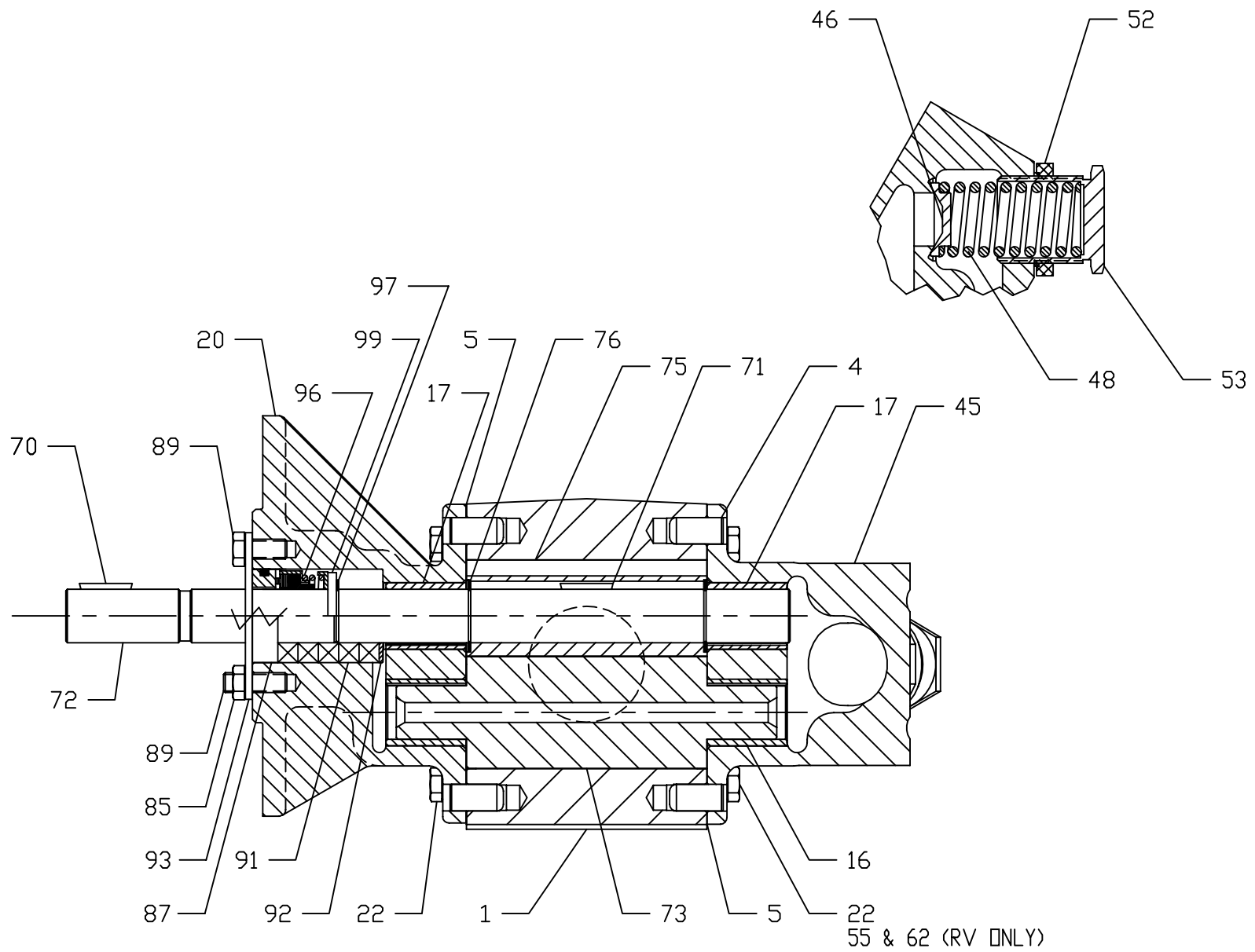
1 & 2 AM, AP 21-40

1, 2 AM, AP 21-40

KEY NO.	DESCRIPTION	A21		A27		A32		A40	
		QTY	PART NO.	QTY	PART NO.	QTY	PART NO.	QTY	PART NO.
1	Case	1	P1-530	1	P1-554	1	P1-531	1	P1-591
4	Dowel Pin	4	D48-21	4	D48-21	4	D48-21	4	D48-21
5	Case Gasket	2	D11-257	2	D11-257	2	D11-257	2	D11-257
20	Backplate Assy, Brz Brgs	1	N2-800	1	N2-800	1	N2-800	1	N2-800
22	Hex Hd Cap Screw, Plain	16	G49-037100	16	G49-037100	16	G49-037100	16	G49-037100
	Hex Hd Cap Screw, RV	12	G49-037100	12	G49-037100	12	G49-037100	12	G49-037100
45	Faceplate Assy, Plain, Brz Brgs	1	N3-341	1	N3-341	1	N3-341	1	N3-341
	Faceplate Assy, RV, Brz Brgs	1	N3-340	1	N3-340	1	N3-340	1	N3-340
46	Poppet	1	D16-114	1	D16-114	1	D16-114	1	D16-114
48	Spring, Std Press	1	G10-399	1	G10-399	1	G10-399	1	G10-399
	Spring, High Press	1	G10-400	1	G10-400	1	G10-400	1	G10-400
52	Nut, Lock & Seal	1	G33-32	1	G33-32	1	G33-32	1	G33-32
53	Adjusting Screw	1	D15-44	1	D15-44	1	D15-44	1	D15-44
55	Hex Hd Cap Screw, RV	2	G49-037225	2	G49-037225	2	G49-037225	2	G49-037225
62	Hex Hd Cap Screw, RV	2	G49-037350	2	G49-037350	2	G49-037350	2	G49-037350
70	Key, Drive	1	D30-32	1	D30-32	1	D30-32	1	D30-32
71	Key, Gear	1	D30-32	1	D30-32	1	D30-32	1	D30-32
72	Drive Shaft	1	D1-1761	1	D1-1762	1	D1-1763	1	D1-1763
73	Idler Shaft & Gear	1	D2-2013	1	D2-2014	1	D2-1997	1	D2-1497
75	Gear, RH	1	D6-1153	1	D6-1154	1	D6-1128	1	D6-642
76	Ret Ring	2	G41-148	2	G41-148	2	G41-148	2	G41-148
85	Nut, Pkg	2	G44-037	2	G44-037	2	G44-037	2	G44-037
87	Pkg Gland, Pkg	1	D5-453	1	D5-453	1	D5-453	1	D5-453
89	Stud, Pkg	2	G2-110	2	G2-110	2	G2-110	2	G2-110
	Hex Hd Cap Screw, Mech Seal	2	G49-037050	2	G49-037050	2	G49-037050	2	G49-037050
91	Pkg Rings, Pkg	5	G14-63	5	G14-63	5	G14-63	5	G14-63
92	Pkg Washer, Pkg	1	G8-250	1	G8-250	1	G8-250	1	G8-250
93	Seal Retainer	1	D8-383	1	D8-383	1	D8-383	1	D8-383
96	Mech Seal, Complete	1	G4-397	1	G4-397	1	G4-397	1	G4-397
97	Ret Ring	1	G41-43	1	G41-43	1	G41-43	1	G41-43
99	Seal Locator Ring, Mech Seal	1	D8-468	1	D8-468	1	D8-468	1	D8-468

Backplate Assy includes Brz Brgs: (2) G5-139

Faceplate Assy includes Brz Brgs: (2) G5-139



17 & 18 AM, AP 21-40

17, 18 AM, AP 21-40

KEY NO.	DESCRIPTION	A21		A27		A32		A40	
		QTY	PART NO.	QTY	PART NO.	QTY	PART NO.	QTY	PART NO.
1	Case	1	P1-530	1	P1-554	1	P1-531	1	P1-591
4	Dowel Pin	4	D48-21	4	D48-21	4	D48-21	4	D48-21
5	Case Gasket	2	D11-257	2	D11-257	2	D11-257	2	D11-257
20	Backplate Assy, Brz Brgs	1	N2-813	1	N2-813	1	N2-813	1	N2-813
22	Hex Hd Cap Screw, Plain	16	G49-037100	16	G49-037100	16	G49-037100	16	G49-037100
	Hex Hd Cap Screw, RV	12	G49-037100	12	G49-037100	12	G49-037100	12	G49-037100
45	Faceplate Assy, Plain, Brz Brgs	1	N3-341	1	N3-341	1	N3-341	1	N3-341
	Faceplate Assy, RV, Brz Brgs	1	N3-340	1	N3-340	1	N3-340	1	N3-340
46	Poppet	1	D16-114	1	D16-114	1	D16-114	1	D16-114
48	Spring, Std Press	1	G10-399	1	G10-399	1	G10-399	1	G10-399
	Spring, High Press	1	G10-400	1	G10-400	1	G10-400	1	G10-400
52	Nut, Lock & Seal	1	G33-32	1	G33-32	1	G33-32	1	G33-32
53	Adjusting Screw	1	D15-44	1	D15-44	1	D15-44	1	D15-44
55	Hex Hd Cap Screw, RV	2	G49-037225	2	G49-037225	2	G49-037225	2	G49-037225
62	Hex Hd Cap Screw, RV	2	G49-037350	2	G49-037350	2	G49-037350	2	G49-037350
70	Key, Drive	1	D30-32	1	D30-32	1	D30-32	1	D30-32
71	Key, Gear	1	D30-32	1	D30-32	1	D30-32	1	D30-32
72	Drive Shaft	1	D1-1761	1	D1-1762	1	D1-1763	1	D1-1763
73	Idler Shaft & Gear	1	D2-2013	1	D2-2014	1	D2-1997	1	D2-1497
75	Gear, RH	1	D6-1153	1	D6-1154	1	D6-1128	1	D6-642
76	Ret Ring	2	G41-148	2	G41-148	2	G41-148	2	G41-148
85	Nut, Pkg	2	G44-037	2	G44-037	2	G44-037	2	G44-037
87	Pkg Gland, Pkg	1	D5-453	1	D5-453	1	D5-453	1	D5-453
89	Stud, Pkg	2	G2-110	2	G2-110	2	G2-110	2	G2-110
	Hex Hd Cap Screw, Mech Seal	2	G49-037050	2	G49-037050	2	G49-037050	2	G49-037050
91	Pkg Rings, Pkg	5	G14-63	5	G14-63	5	G14-63	5	G14-63
92	Pkg Washer, Pkg	1	G8-250	1	G8-250	1	G8-250	1	G8-250
93	Seal Retainer	1	D8-383	1	D8-383	1	D8-383	1	D8-383
96	Mech Seal, Complete	1	G4-397	1	G4-397	1	G4-397	1	G4-397
97	Ret Ring	1	G41-43	1	G41-43	1	G41-43	1	G41-43
99	Seal Locator Ring, Mech Seal	1	D8-468	1	D8-468	1	D8-468	1	D8-468

Backplate Assy includes Brz Brgs: (2) G5-139

Faceplate Assy includes Brz Brgs: (2) G5-139