

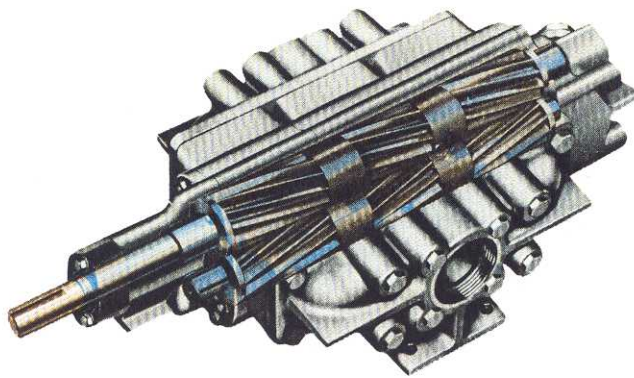


Roper Pumps

AE

Series

Geared for top performance, Roper Pumps' "AE" Series keeps your operation moving



Performance by Design



The leading force behind liquids.

Applications

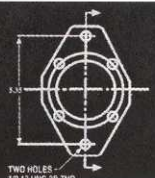
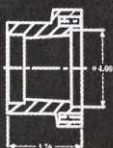
- Pressure lubrication, hydraulic service

Options

- Optional internal relief valve
- Variety of mounting arrangements

Features

- Cast iron construction
- Capable of operating at nominal motor speeds
- Pressures up to 300 psi
- Flows up to 135 gpm
- Cost effective
- Self priming capabilities
- Bi-directional rotation
- Flange or foot mounted configurations
- Helical gears for quiet operation





Roper Pump Company
 P.O. Box 269 • Commerce, GA 30529
 Toll Free: 1-800-876-9160 • Fax: 706-335-5490
 sales@roperpumps.com

Visit Us On The WorldWide Web
 www.roperpumps.com

AE Series

Model	Theoretical Capacity	Maximum Speed	Maximum Flow at Maximum Speed (0 Discharge Pressure)	Maximum Pressure	Port Connection
19	.019GPR(71.9 CC/REV)	3600 RPM	68.4GPM (15.5 M ³ /HR)	300 PSI (20 Bar)	1-1/2"NPT
29	.029GPR(109.7 CC/REV)	3600 RPM	104.4GPM (23.7 M ³ /HR)	300 PSI (20 Bar)	2"NPT
54	.057GPR(215.7 CC/REV)	1800 RPM	102.6GPM (23.3 M ³ /HR)	300 PSI (20 Bar)	2"NPT
75	.075GPR(283.9 CC/REV)	1800 RPM	135.0GPM (30.6 M ³ /HR)	300 PSI (20 Bar)	2-1/2"NPT

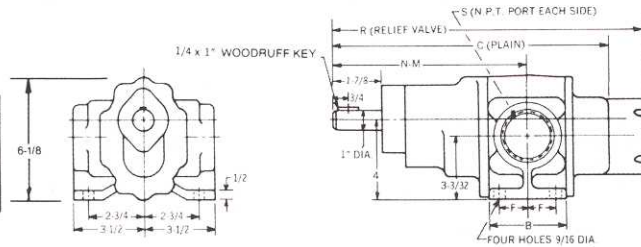
Materials of Construction

Housing	Gears	Bearings	Shaft
•Cast Iron	•Steel	•Bronze	•Steel

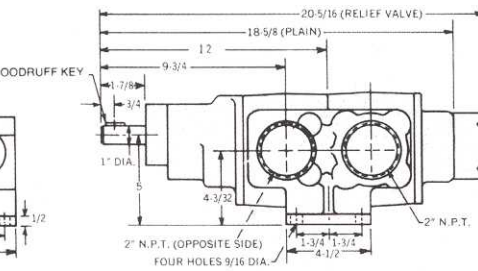
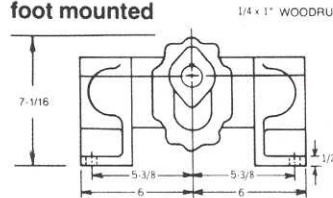
Dimensions

SIZE 19 AND 29 foot mounted

PUMP	B	C	F	N-M	R	S
1AE-19	3	12-5/8	1	9		1-1/2
2AE-19	3		1	9	14-15/16	1-1/2
1AE-29	4-1/2	14-1/8	1-3/4	9-3/4		2
2AE-29	4-1/2		1-3/4	9-3/4	15-13/16	2



SIZE 54 foot mounted



SIZE 75 foot mounted

