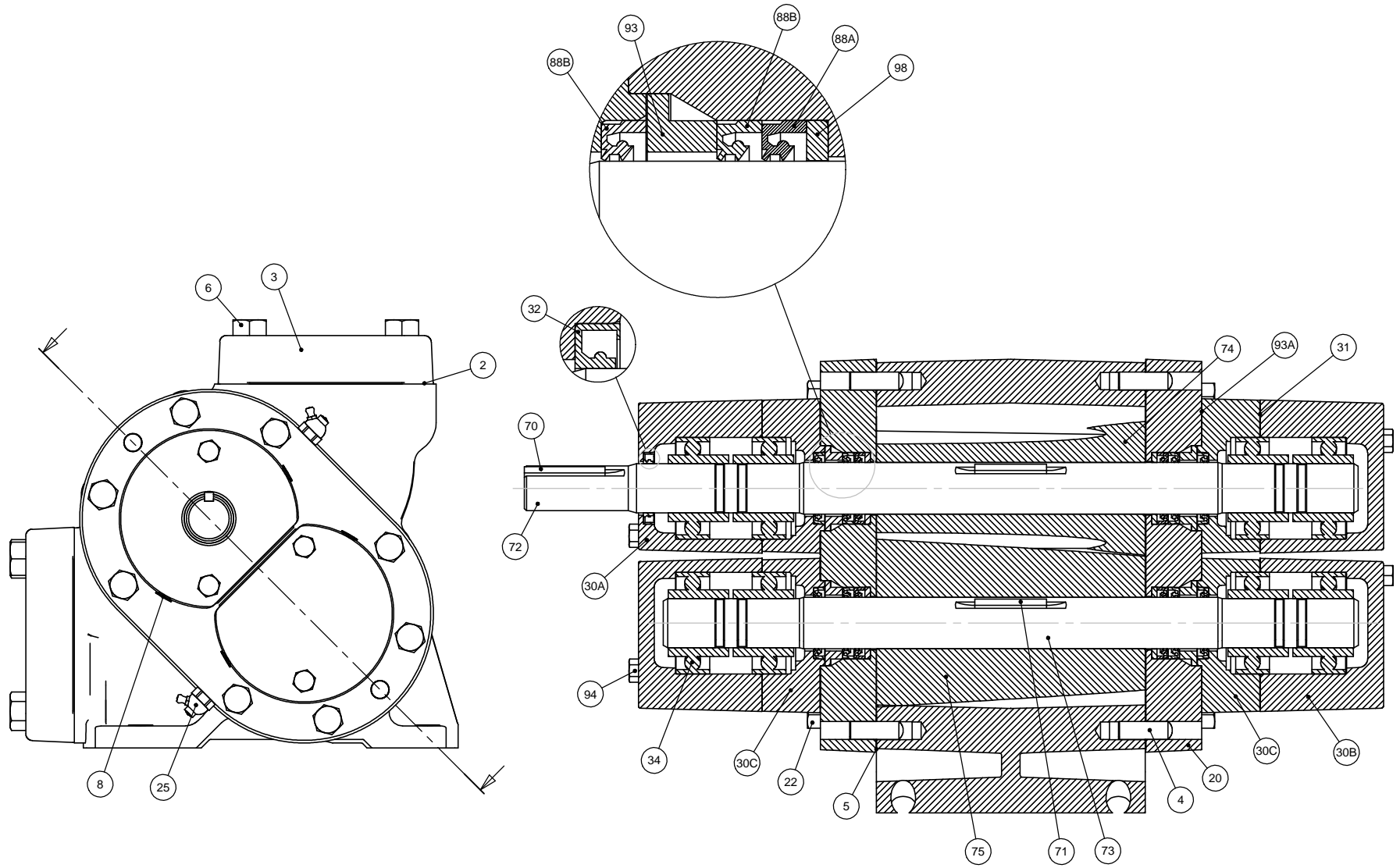


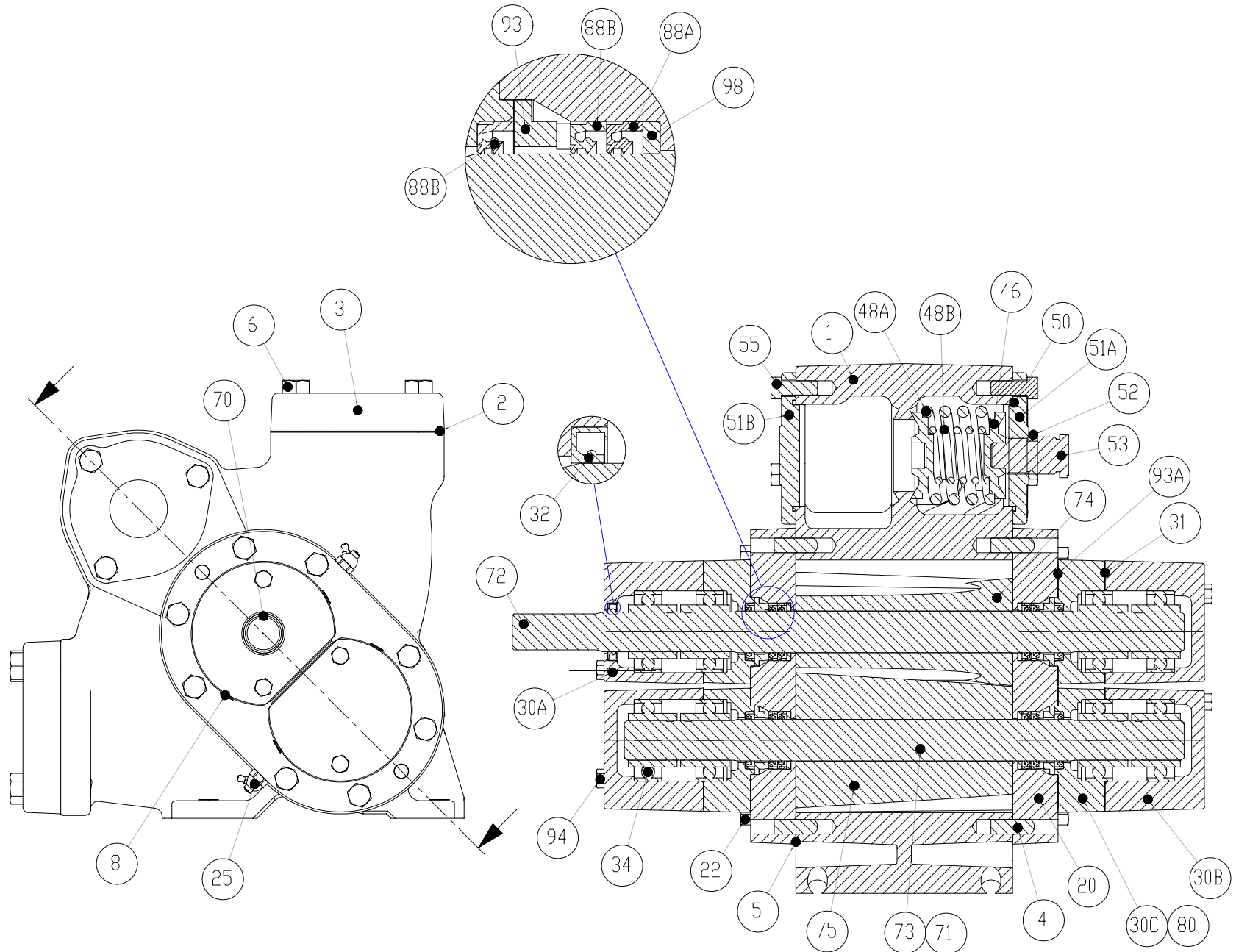
3832F, 3843F, 3848F TYPE 3



3832F, 3843F, 3848F TYPE 3

KEY NO.	DESCRIPTION	3832F TYPE 3		3843F TYPE 3		3848F TYPE 3	
		QTY	PART NO.	QTY	PART NO.	QTY	PART NO.
1	Case Assy	1	N22-223	1	N22-222	1	N22-149
2	Flange Gasket	2	D11-612	2	D11-90	2	D11-90
3	Flange	2	P23-150	2	P23-10	2	P23-19
4	Dowel Pin	4	G48-49	4	G48-49	4	G48-49
5	Case Gasket	3	D11-397	3	D11-397	3	D11-397
6	Hex Hd Cap Screw	8	G49-062175	8	G49-062175	8	G49-062200
6A	Lockwasher	8	G8-76	8	G8-76	N/A	N/A
8	Plug	8	G57-78	8	G57-78	8	G57-78
20	Endplate	2	P2-1696	2	P2-1696	2	P2-1696
22	Hex Hd Cap Screw	16	G49-050250	16	G49-050250	16	G49-050250
25	Lube Ftg w/ RV	4	G63-26	4	G63-26	4	G63-26
30A	Outer Drive Bearing Housing	1	P4-486	1	P4-486	1	P4-486
30B	Outer Bearing Housing	3	P4-485	3	P4-485	3	P4-485
30C	Inner Bearing Housing	4	P4-484	4	P4-484	4	P4-484
31	Outer Bearing Housing Gasket	4	D11-610	4	D11-610	4	D11-610
32	Lip Seal	1	G17-216	1	G17-216	1	G17-216
34	Ball Bearing	8	G40-349	8	G40-349	8	G40-349
70	Key, Drive	1	D30-11	1	D30-11	1	D30-11
71	Key, Gear	2	D30-10	2	D30-10	2	D30-10
72	Drive Shaft	1	D1-2721	1	D1-2723	1	D1-2719
73	Idler Shaft	1	D1-2722	1	D1-2724	1	D1-2720
74	Idler Gear, RH	1	P6-477	1	P6-475	1	P6-384
75	Drive Gear, LH	1	P6-476	1	P6-474	1	P6-383
80	Soc Hd Cap Screw	8	G45-037175	8	G45-037175	8	G45-037175
88A	Lip Seal	4	G17-215	4	G17-215	4	G17-215
88B	Lip Seal	8	G17-217	8	G17-217	8	G17-217
93	Seal Retainer	4	G4-472	4	G4-472	4	G4-472
93A	Inner Bearing Housing Gasket	4	D11-617	4	D11-617	4	D11-617
94	Hex Hd Cap Screw	8	G49-037575	8	G49-037575	8	G49-037575
98	Seal Ring	4	G4-468	4	G4-468	4	G4-468

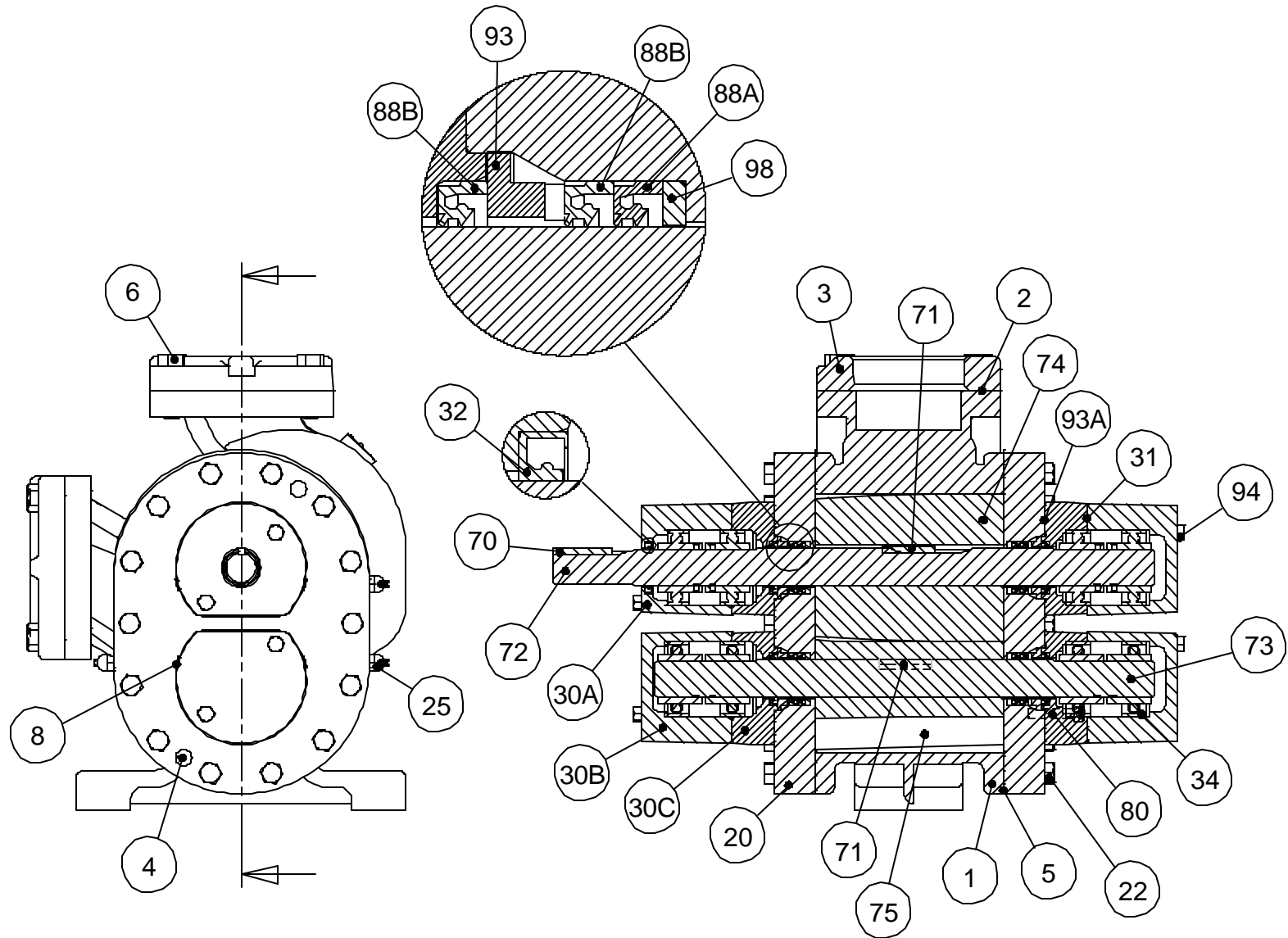
3848FRV TYPE 3



3848FRV TYPE 3

KEY NO.	DESCRIPTION	3848FRV TYPE 3	
		QTY	PART NO.
1	Case Assy	1	N22-229
2	Flange Gasket	2	D11-90
3	Flange	2	P23-19
4	Dowel Pin	4	G48-49
5	Case Gasket	3	D11-397
6	Hex Hd Cap Screw	8	G49-062200
8	Plug	8	G56-11
20	Endplate	2	P2-1696
22	Hex Hd Cap Screw	16	G49-050250
25	Lube Ftg w/ RV	4	G63-26
30A	Outer Drive Bearing Housing	1	P4-486
30B	Outer Bearing Housing	3	P4-485
30C	Inner Bearing Housing	4	P4-484
31	Outer Bearing Housing Gasket	4	D11-610
32	Lip Seal	1	G17-216
34	Ball Bearing	8	G40-349
46	Poppet	2	D16-112
48A	RV Spring	1	G10-383
48B	RV Spring	1	G10-386
50	O-Ring, RV Cap	2	G14-485
51A	RV Cover Assy	1	N37-226
51B	RV Cover	1	P14-49
52	RV Seal Nut	1	G33-6
53	Adjusting Screw	1	D15-42
55	Hex Hd Cap Screw	6	G49-050125
70	Key, Drive	1	D30-11
71	Key, Gear	2	D30-10
72	Drive Shaft	1	D1-2719
73	Idler Shaft	1	D1-2720
74	Idler Gear	1	P6-384
75	Drive Gear	1	P6-383
80	Soc Hd Cap Screw	8	G45-037175
88A	Lip Seal	4	G17-215
88B	Lip Seal	8	G17-217
93	Seal Retainer	4	G4-472
93A	Inner Bearing Housing Gasket	4	D11-617
94	Hex Hd Cap Screw	8	G49-037575
98	Seal Ring	4	G4-468

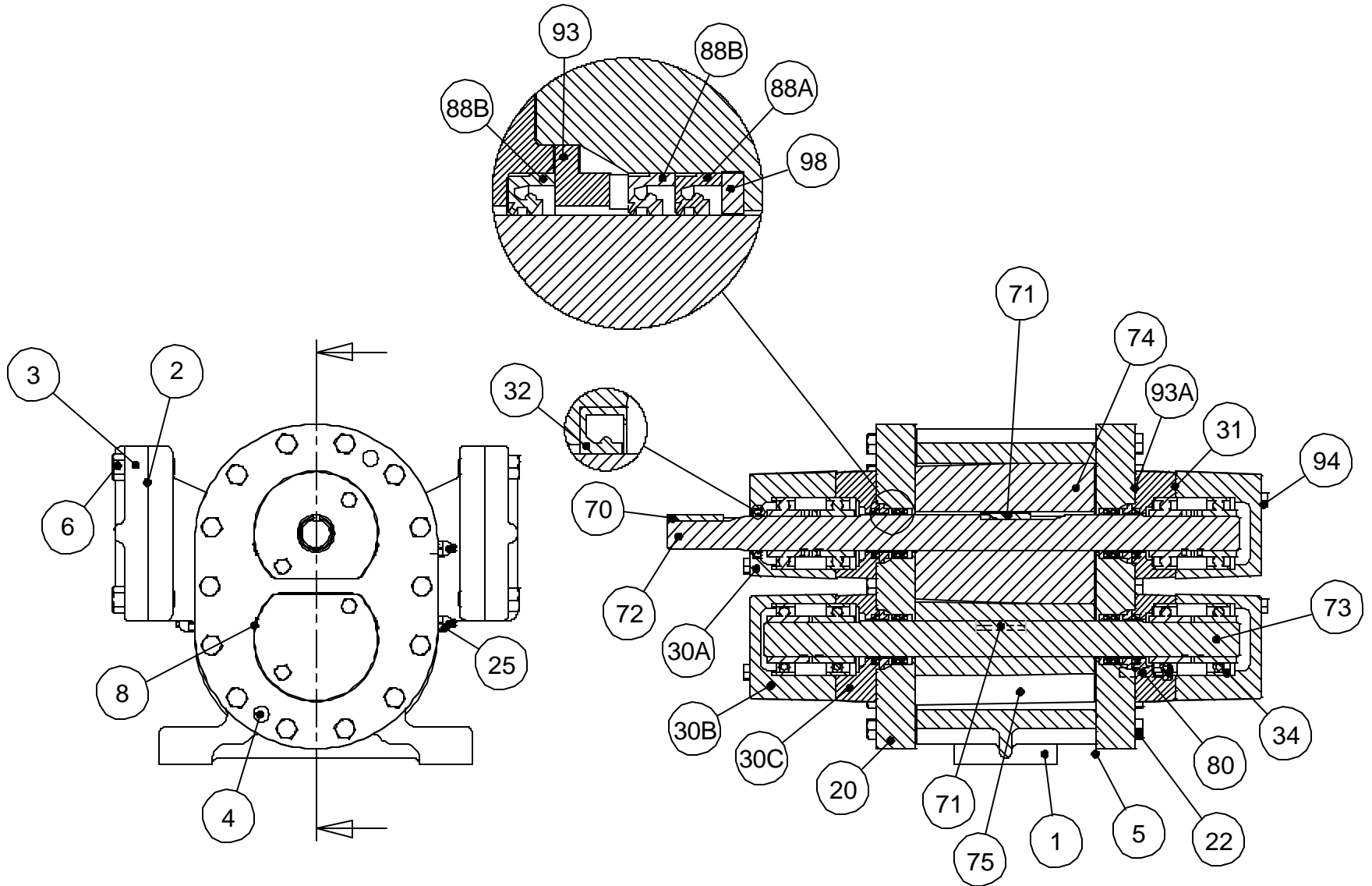
3858F TYPE 3



3858F TYPE 3

KEY NO.	DESCRIPTION	3858F TYPE 3	
		QTY	PART NO.
1	Case Assy	1	P1-229
2	Flange Gasket	2	D11-283
3	Flange	2	P23-52
4	Dowel Pin	4	G48-53
5	Case Gasket	3	D441-492
6	Hex Hd Cap Screw	8	G49-062200
8	Plug	8	G56-11
20	Endplate	2	P2-1713
22	Hex Hd Cap Screw	28	G49-050225
25	Lube Ftg w/ RV	4	G63-26
30A	Outer Drive Bearing Housing	1	P4-486
30B	Outer Bearing Housing	3	P4-485
30C	Inner Bearing Housing	4	P4-484
31	Outer Bearing Housing Gasket	4	D11-610
32	Lip Seal	1	G17-216
34	Ball Bearing	8	G40-349
70	Key, Drive	1	D30-11
71	Key, Gear	2	D30-10
72	Drive Shaft	1	D1-2716
73	Idler Shaft	1	D1-2717
74	Idler Gear	1	P6-280
75	Drive Gear	1	P6-279
80	Soc Hd Cap Screw	8	G45-037175
88A	Lip Seal	4	G17-215
88B	Lip Seal	8	G17-217
93	Seal Retainer	4	G4-472
93A	Inner Bearing Housing Gasket	4	D11-617
94	Hex Hd Cap Screw	8	G49-037575
98	Seal Ring	4	G4-468

4858F TYPE 3



4858F TYPE 3

KEY NO.	DESCRIPTION	4858F TYPE 3	
		QTY	PART NO.
1	Case Assy	1	P1-277
2	Flange Gasket	2	D11-283
3	Flange	2	P23-52
4	Dowel Pin	4	G48-53
5	Case Gasket	3	D441-492
6	Hex Hd Cap Screw	8	G49-062200
8	Plug	8	G56-11
20	Endplate	2	P2-1713
22	Hex Hd Cap Screw	28	G49-050225
25	Lube Ftg w/ RV	4	G63-26
30A	Outer Drive Bearing Housing	1	P4-486
30B	Outer Bearing Housing	3	P4-485
30C	Inner Bearing Housing	4	P4-484
31	Outer Bearing Housing Gasket	4	D11-610
32	Lip Seal	1	G17-216
34	Ball Bearing	8	G40-349
70	Key, Drive	1	D30-11
71	Key, Gear	2	D30-10
72	Drive Shaft	1	D1-2716
73	Idler Shaft	1	D1-2717
74	Idler Gear	1	P6-280
75	Drive Gear	1	P6-279
80	Soc Hd Cap Screw	8	G45-037175
88A	Lip Seal	4	G17-215
88B	Lip Seal	8	G17-217
93	Seal Retainer	4	G4-472
93A	Inner Bearing Housing Gasket	4	D11-617
94	Hex Hd Cap Screw	8	G49-037575
98	Seal Ring	4	G4-468