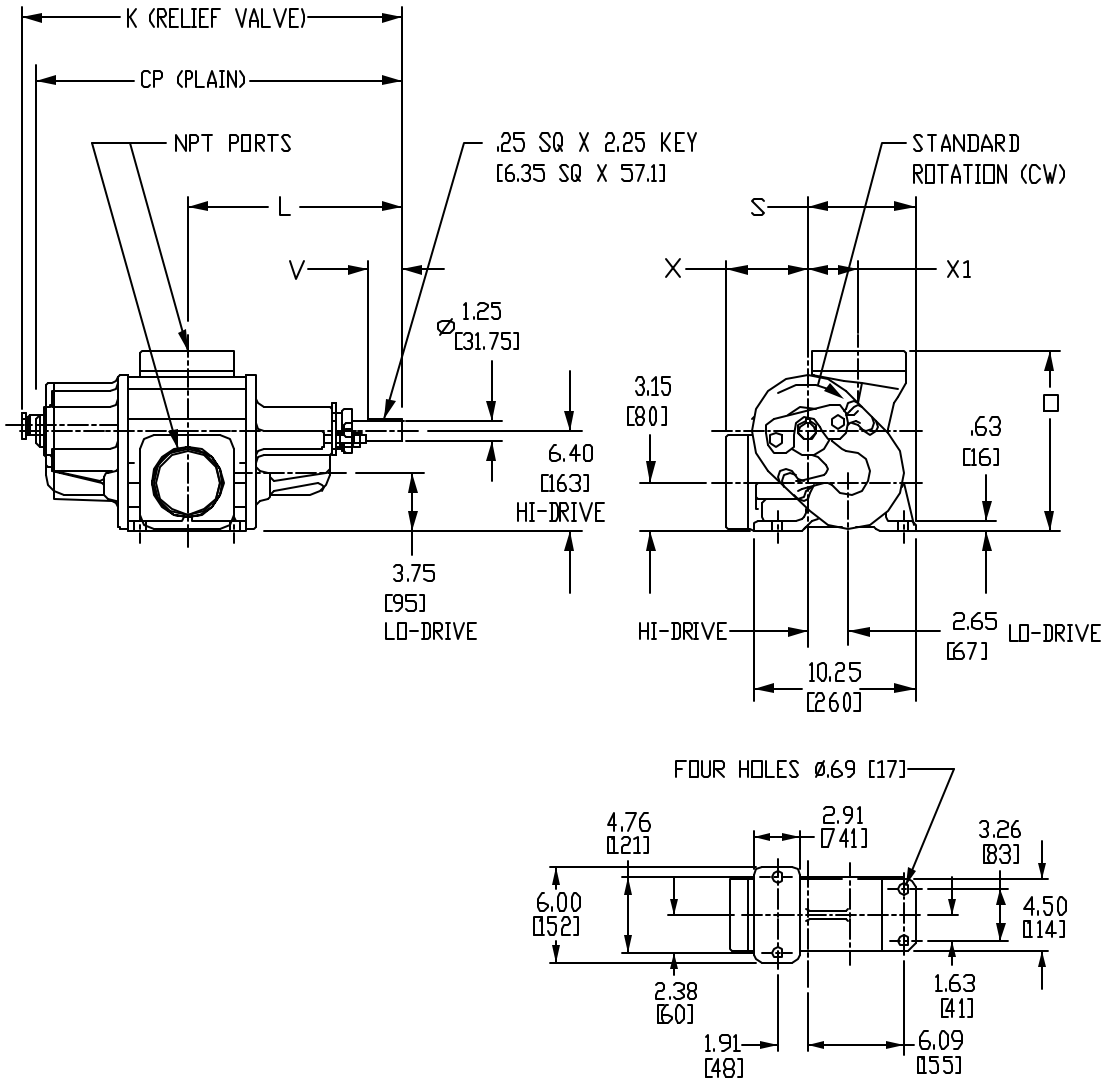
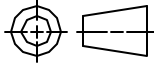


3632-3732 HF, RV TYPE 3



PROJECTION

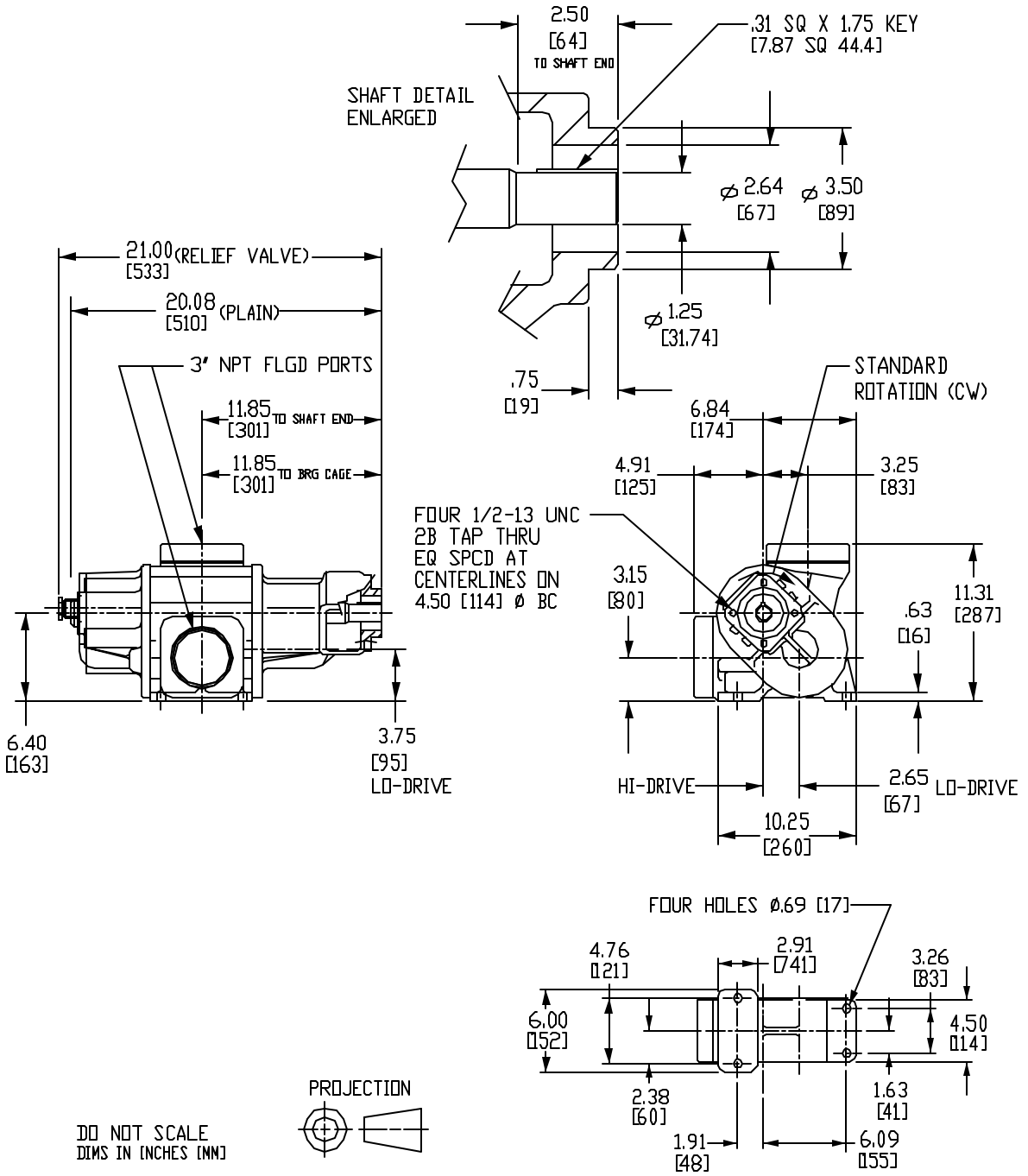


DO NOT SCALE
DIMS IN INCHES [MM]

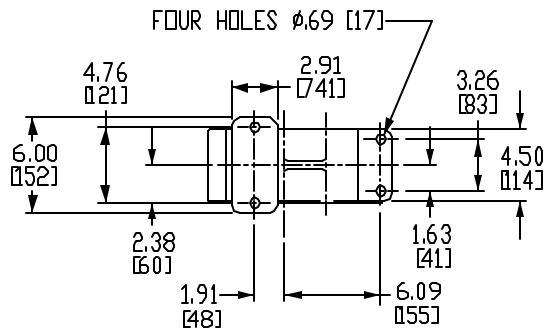
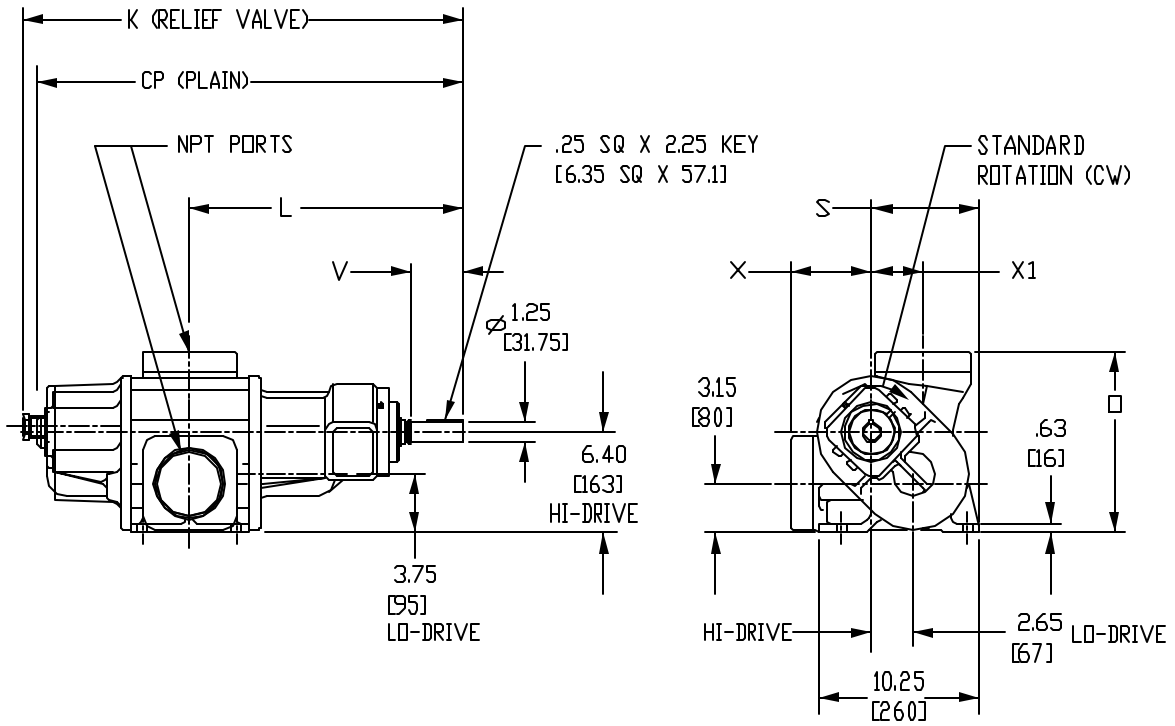
▲ PACKED BOX
★ MECH SEAL

PUMP	CP	K	L	Ø	PORTS	S	▲ V ★	X	X1	
3632 & 3732 HF	20.48	21.40	12.25	11.31	3" FLANGED	6.84	2.29	4.00	4.91	3.25
3632 & 3732 HFRV	[520]	[543]	[311]	[287]		[174]	[58]	[102]	[125]	[83]

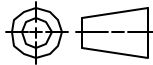
3632-3732 BHF, RV TYPE 3



3632-3732 HBF,RV TYPE 3



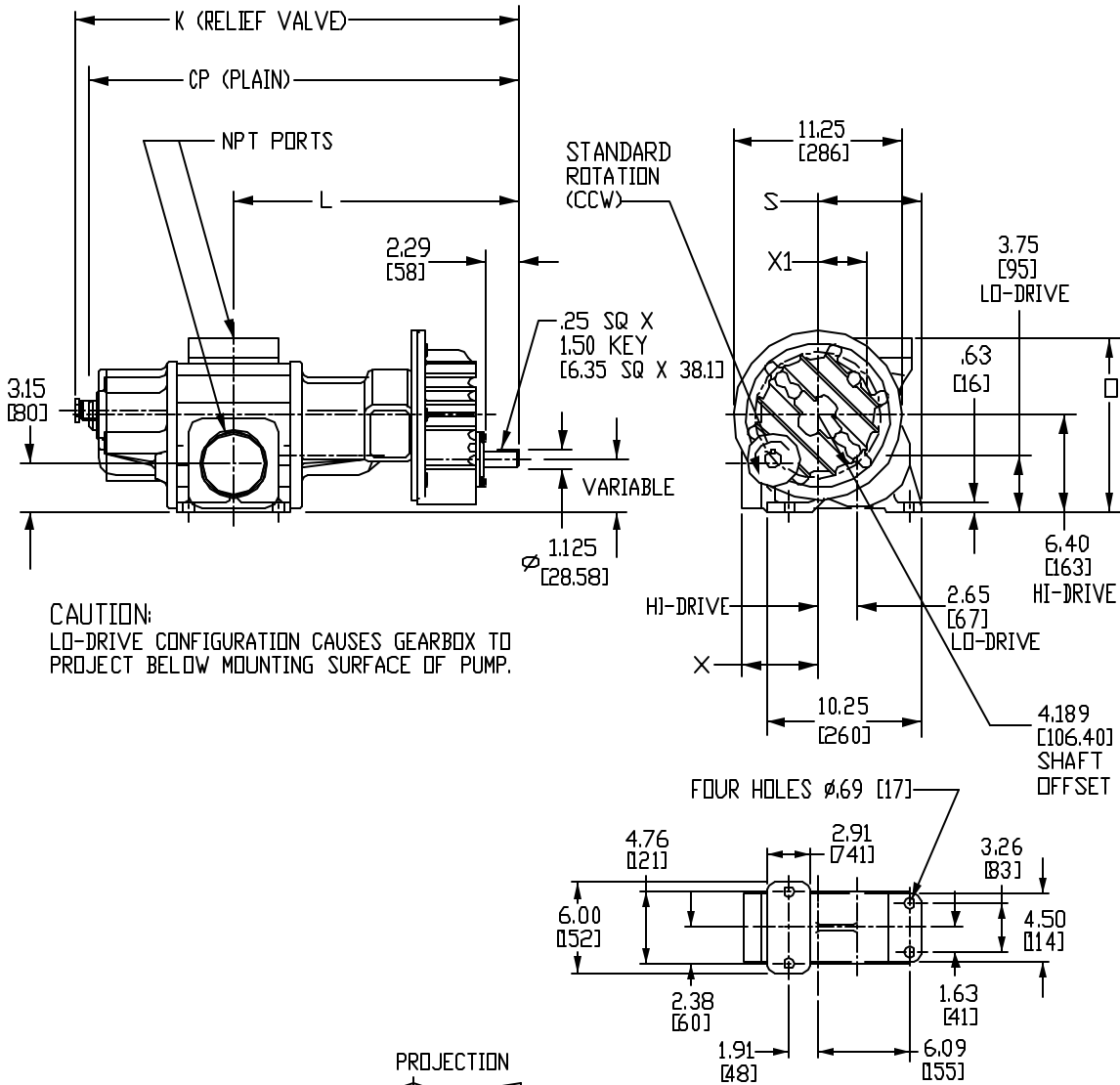
PROJECTION



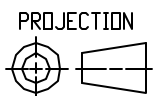
DO NOT SCALE
DIMS IN INCHES [MM]

PUMP	CP	K	L	\square	PORTS	S	V	X	X1
3632 & 3732 HBF	23.67	24.58	15.44	11.31	3' FLANGED	6.85	3.27	4.91	3.25
3632 & 3732 HBFRV	[601]	[624]	[392]	[287]		[174]	[83]	[125]	[83]

3632-3732 GHBF,RV TYPE 3



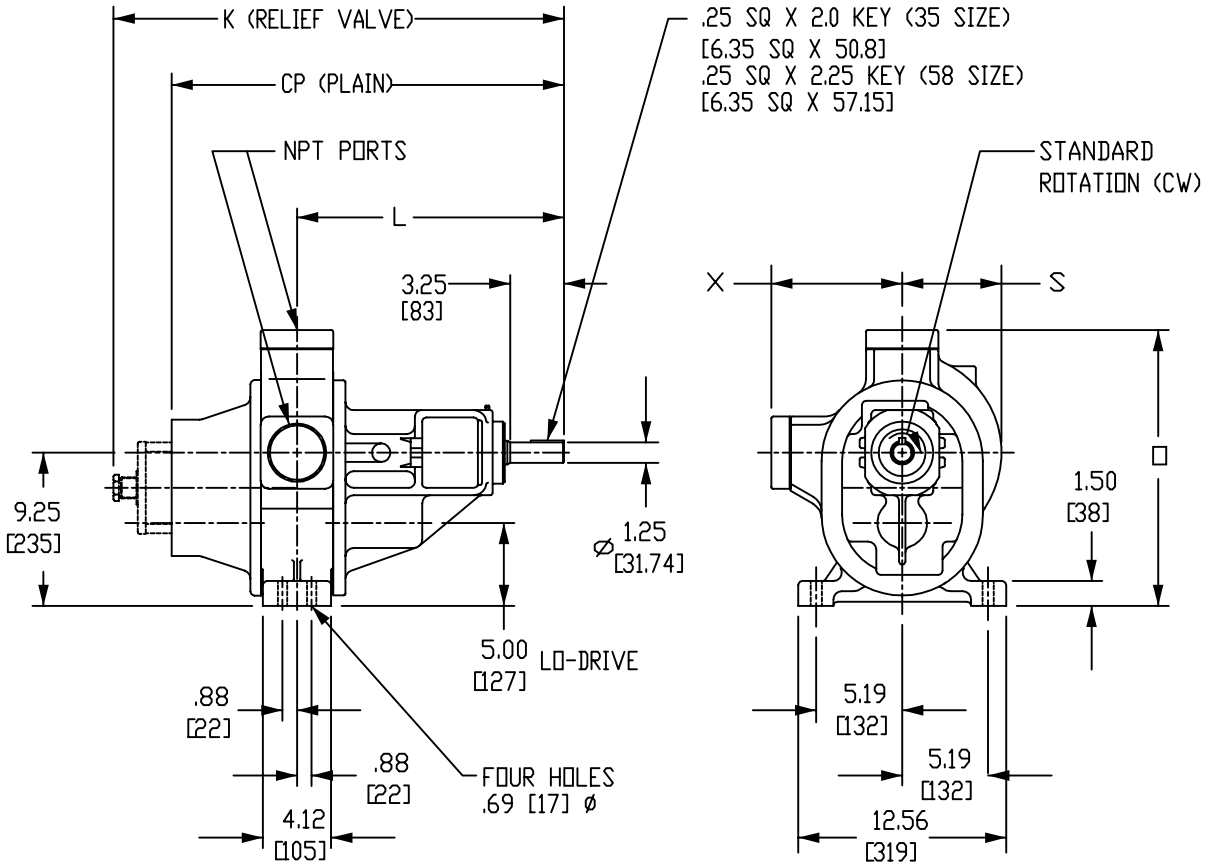
CAUTION:
LO-DRIVE CONFIGURATION CAUSES GEARBOX TO PROJECT BELOW MOUNTING SURFACE OF PUMP.



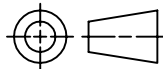
DO NOT SCALE
DIM IN INCHES (MM)

PUMP	CP	K	L	\square	PORTS	S	X	X1
3632 & 3732 GHBF	25.82	26.74	17.59	11.31	3" FLANGED	6.84	4.91	3.25
3632 & 3732 GHBF RV	[656]	[679]	[447]	[287]		[174]	[125]	[83]

3635-3758 HB,F,RV TYPE 3



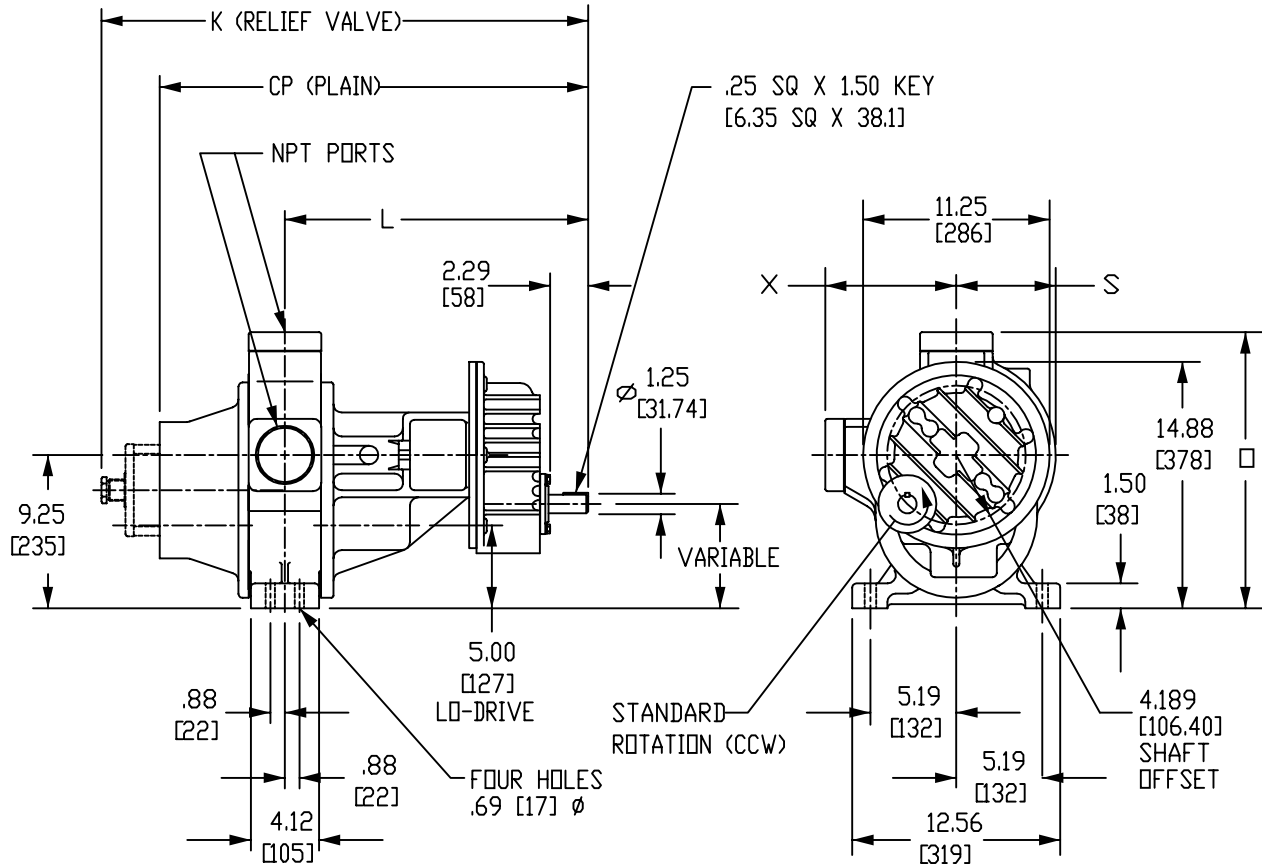
PROJECTION



DO NOT SCALE
DIMS IN INCHES [MM]

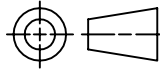
PUMP	CP	K	L	\square	PORTS	S	X
3635 & 3735 HB				15.63 [397]	3" TAPPED		6.88 [175]
3635 & 3735 HBRV	23.69 [602]	27.20 [691]	16.12 [409]			6.00 [152]	
3635 & 3735 HBF				16.66 [423]	3" FLANGED		7.91 [201]
3635 & 3735 HBFRV							
3658 & 3758 HBF	26.53 [674]	30.04 [763]	17.54 [446]	17.35 [441]	4" FLANGED	6.28 [160]	8.10 [206]
3658 & 3758 HBFRV							

3635-3758 GHB,F,RV TYPE 3



CAUTION:
LO-DRIVE CONFIGURATION CAUSES GEARBOX TO PROJECT BELOW MOUNTING SURFACE OF PUMP.

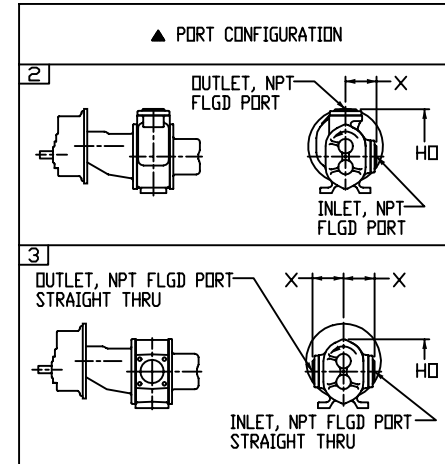
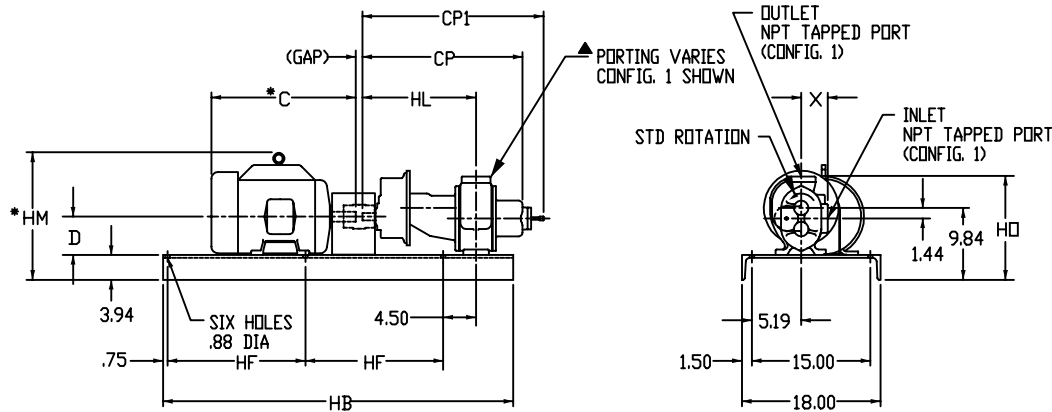
PROJECTION



DO NOT SCALE
DIMS IN INCHES [MM]

PUMP	CP	K	L	□	PORTS	S	X
3635 & 3735 GHB	25.88 [657]	29.39 [747]	18.31 [465]	15.63 [397]	3" TAPPED	6.00 [152]	6.88 [175]
3635 & 3735 GHBRV				16.66 [423]	3" FLANGED		7.91 [201]
3635 & 3735 GHBF	28.72 [730]	32.23 [819]	19.73 [501]	17.35 [441]	4" FLANGED	6.28 [160]	8.10 [206]
3635 & 3735 GHBF RV							

3635-4758 MGHBF,RV TYPE 3



✓	PUMP	PORT CONFIG.	PORT SIZE	X	HO	APPROXIMATE PUMP WEIGHT				
						CP	CP1	HL	PLAIN	W/RV
	3635-3735 GHBF,RV	1	3" NPT	6.88	19.56	25.88	29.38	18.31	275	285
	3635-3735 GHBF,RV	2	3" NPT FLG	7.91	20.60					
	3658-3758 GHBF,RV	2	4" NPT FLG	8.10	21.29	28.75	32.25	19.75	385	395
	4658-4758 GHBF,RV	3	4" NPT FLG	8.10	17.56					

✓ = UNIT SELECTED

DIMENSIONS IN INCHES
WEIGHTS IN POUNDS

* DIMENSIONS AND MOTOR WEIGHTS WILL VARY BASED ON MOTOR MANUFACTURER AND TYPE. CHART DIMENSIONS AND MOTOR WEIGHTS BASED ON TEFC 3 PHASE MOTORS.

RV = RELIEF VALVE

LOVEJOY COUPLINGS STANDARD

✓	MOTOR FRAME	* MOTOR WEIGHT	BASE/COUPLING/HARDWARE WEIGHT		*C	D	*HM	HB	HF	(GAP)
			35	58						
	182T	97			16.56	5.5	16.19	48	19.13	.88
	184T	110	181	181	18.06					
	213T	162			18.56					
	215T	189	181	181	21.09	6.25	17.94			
	254T	283	177	177	23.19	6.25	18.13	48	19.13	1.0
	256T	290			23.19					
	284T	396			27.76					
	286T	417	177	177	27.76	7.0	21.10			



ROPER PUMP COMPANY
P.O. BOX 269
3475 OLD MAYSVILLE RD
COMMERCE, GEORGIA 30529 U.S.A.

TELEPHONE: (706) 335-5551
TELEFAX: (706) 335-5505

DATE: _____

PUMP NO.: _____

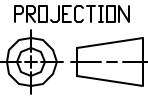
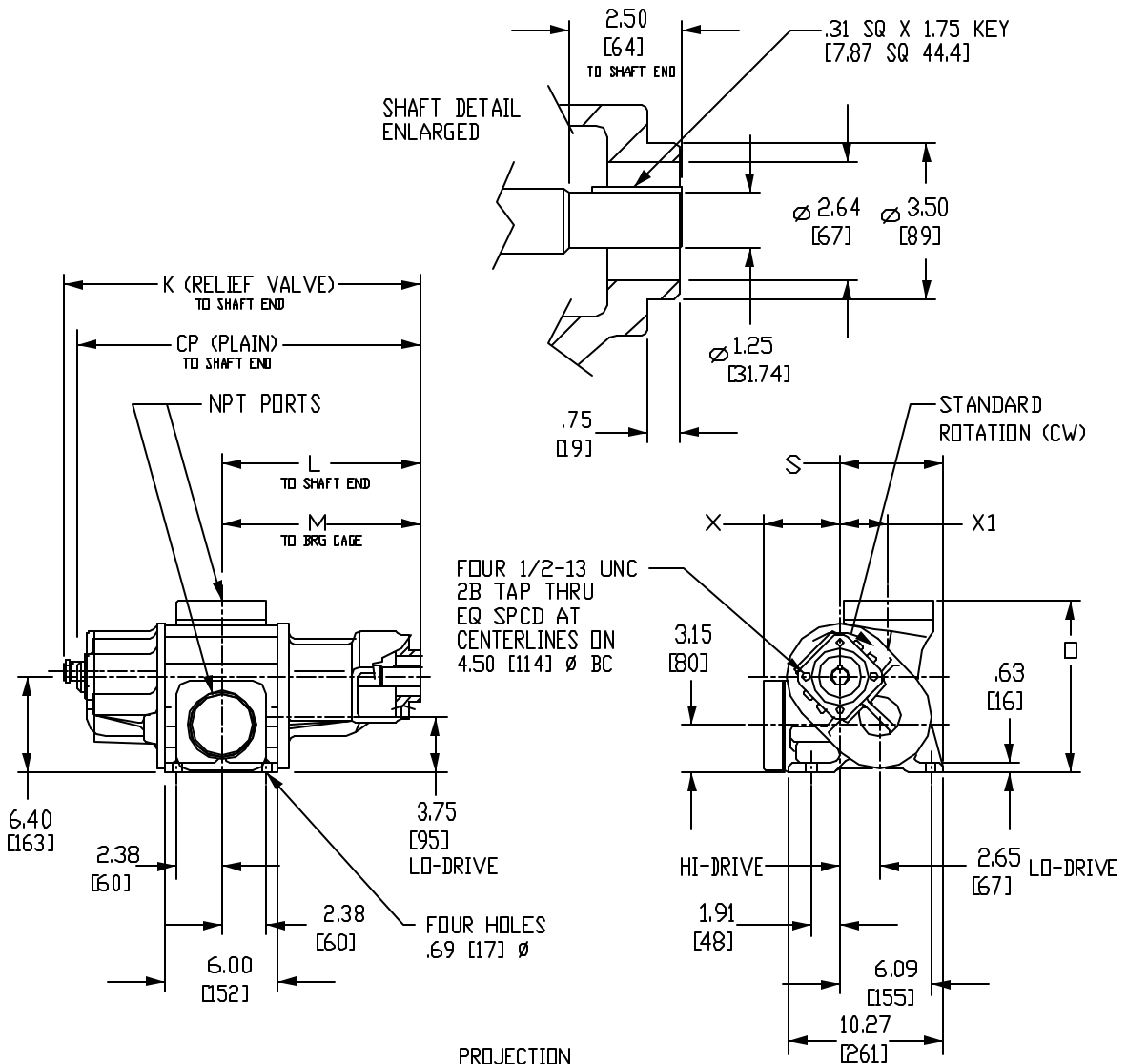
ROPER NO.: _____

CUSTOMER: _____

CUSTOMER NO.: _____

SERVICE: _____

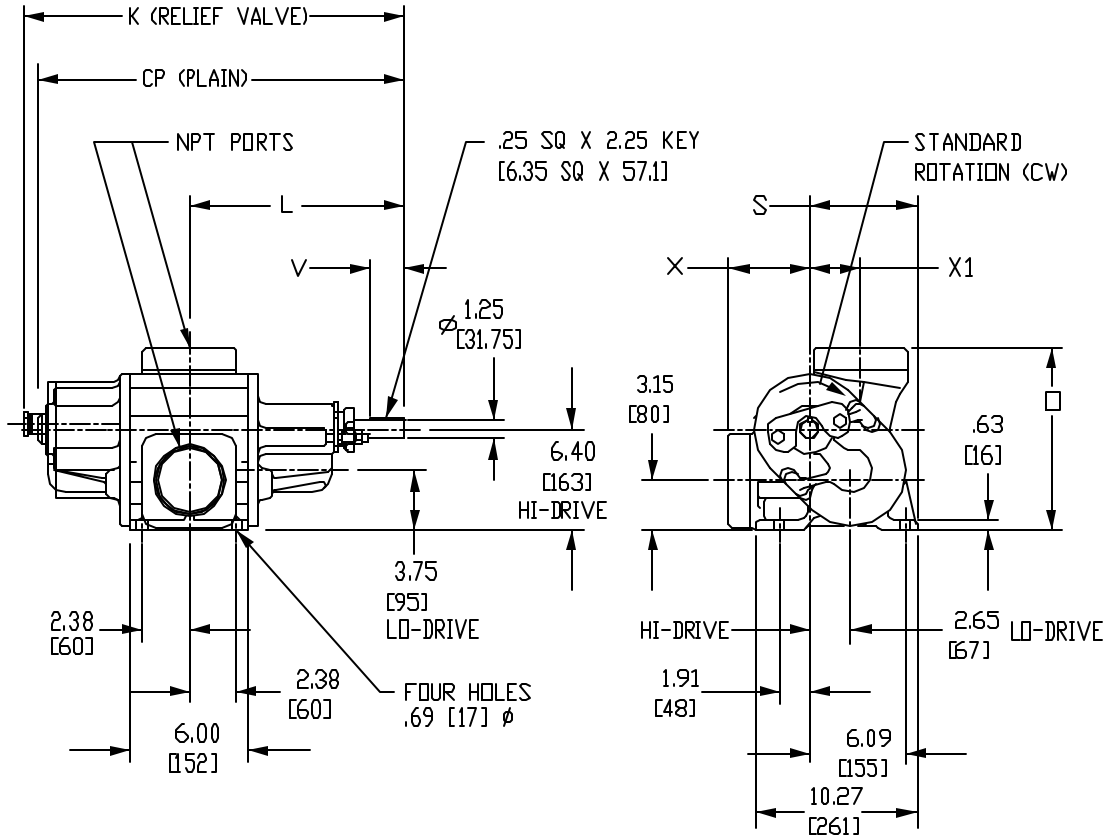
3643-3743 BHF,RV TYPE 3



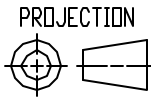
DO NOT SCALE
DIMS IN INCHES [MM]

PUMP	CP	K	L	M	□	PORTS	S	X	X1
3643 & 3743 BHF	21.71	22.63	12.68	12.65	11.33	3" FLANGED	6.84	4.93	3.25
3643 & 3743 BHFRV	[551]	[575]	[322]	[321]	[288]		[174]	[125]	[83]

3643-3743 HF,RV TYPE 3



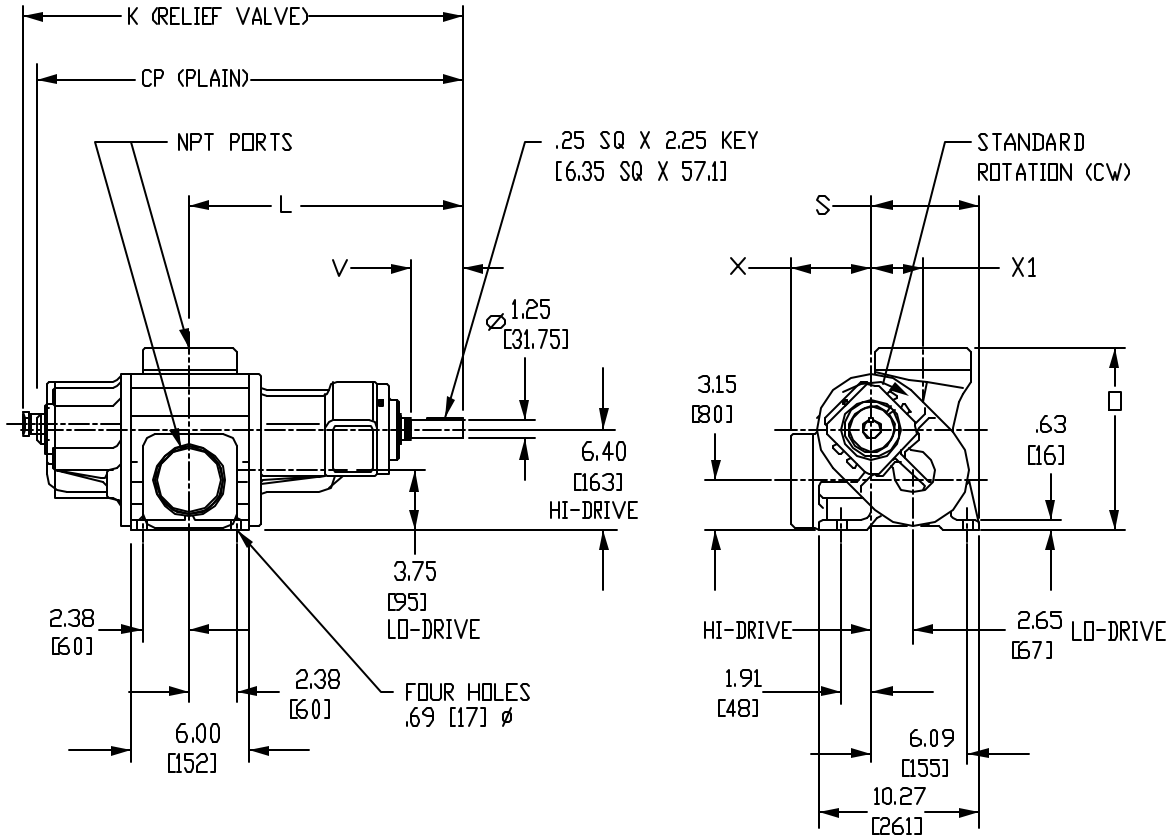
DO NOT SCALE
DIMS IN INCHES [MM]



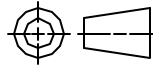
▲ PACKED BOX
★ MECH SEAL

PUMP	CP	K	L	\square	PORTS	S	▲	V	★	X	X1
3643 & 3743 HF	22.10	23.02	13.07	11.33	3" FLANGED	6.84	▲	★		4.93	3.25
3643 & 3743 HFRV	[561]	[585]	[332]	[288]		[174]	[58]	[102]		[125]	[83]

3643-3743 HBF,RV TYPE 3



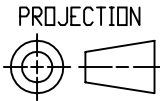
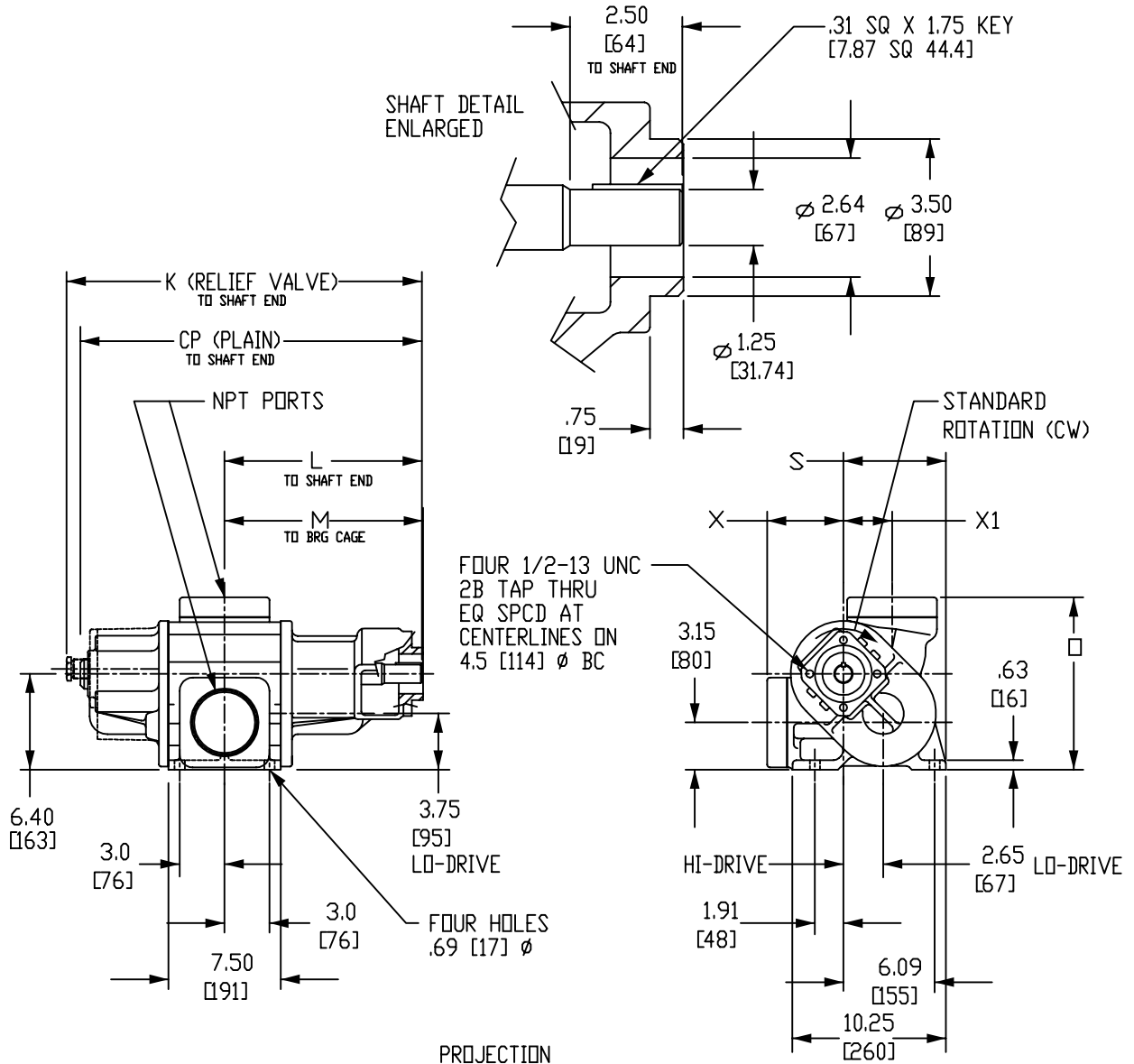
PROJECTION



DO NOT SCALE
DIMS IN INCHES (MM)

PUMP	CP	K	L	□	PORTS	S	V	X	X1
3643 & 3743 HBF	25.32	26.24	16.29	11.33	3" FLANGED	6.85	3.42	4.93	3.25
3643 & 3743 HBF RV	[643]	[667]	[414]	[288]		[174]	[87]	[125]	[83]

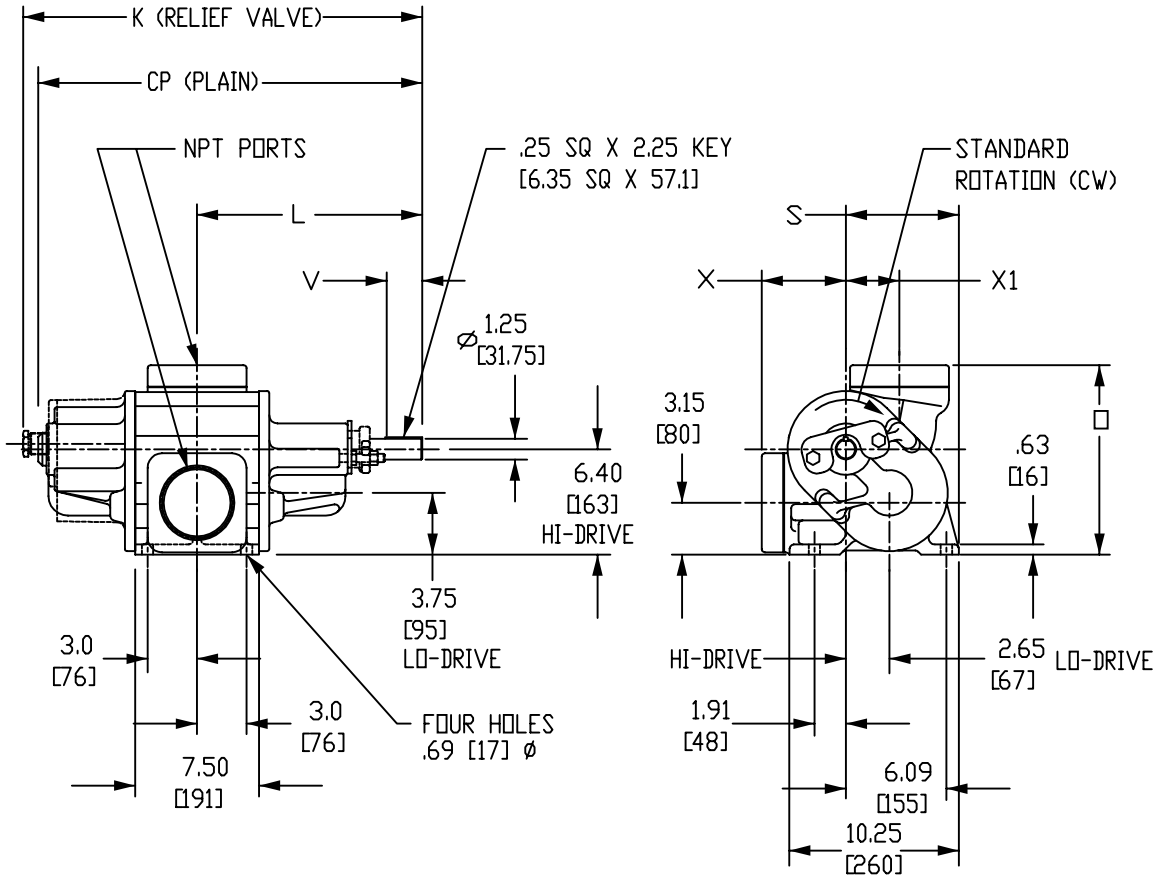
3648-3748 BHF,RV TYPE 3



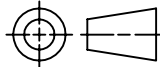
DO NOT SCALE
DIMS IN INCHES [MM]

PUMP	CP	K	L	M	□	PORTS	S	V	X	X1
3648 & 3748 BHF	22.81	23.72	13.17	13.25	11.50	4* FLANGED	6.84	2.50	5.10	3.25
3648 & 3748 BHFRV	[579]	[602]	[334]	[337]	[292]		[174]	[64]	[130]	[83]

3648-3748 HF,RV TYPE 3



PROJECTION



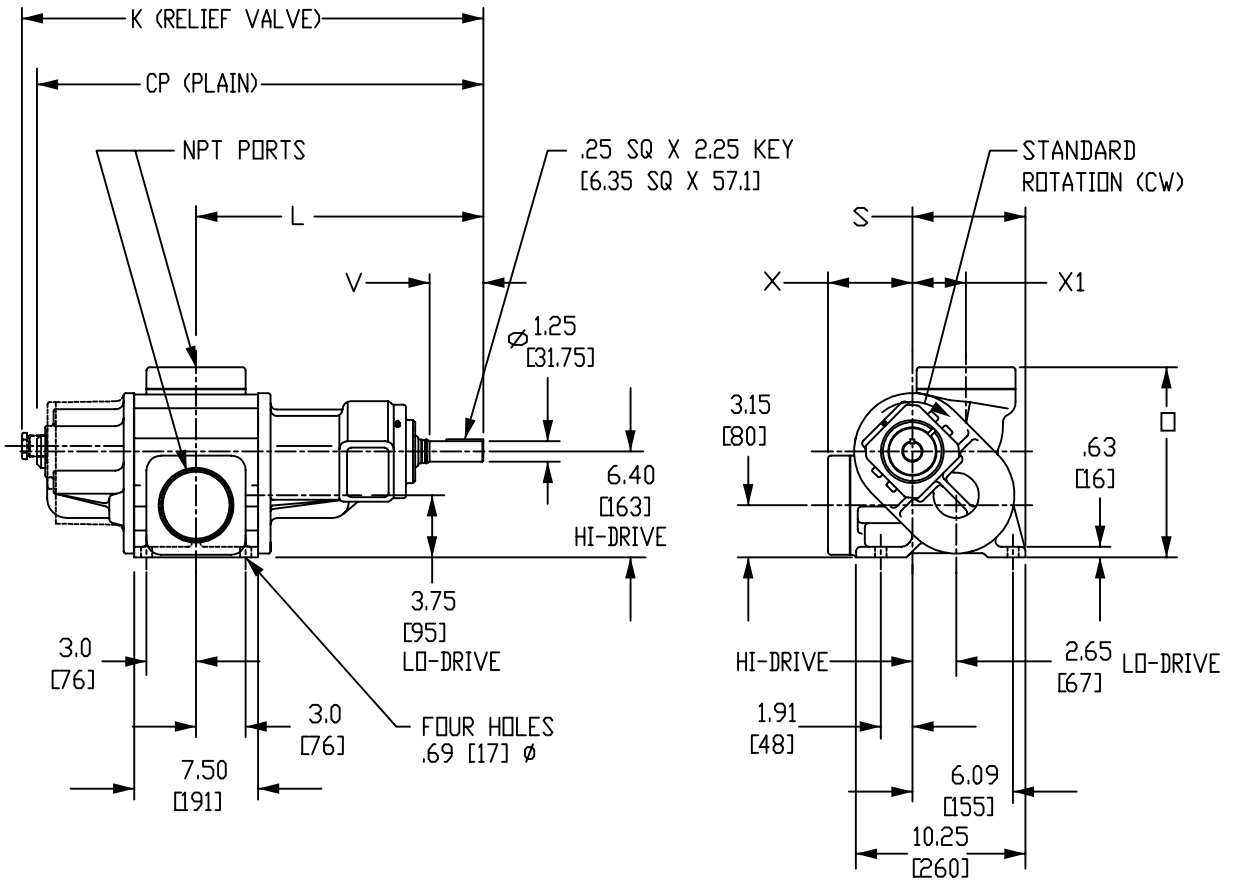
DO NOT SCALE
DIMS IN INCHES [MM]

▲ PACKED BOX

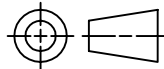
★ MECH SEAL

PUMP	CP	K	L	\square	PORTS	S	▲ V ★	X	X1	
3648 & 3748 HF	23.29	24.21	13.66	11.50	4" FLANGED	6.84	2.29	4.00	5.10	3.25
3648 & 3748 HFRV	[592]	[615]	[347]	[292]		[174]	[58]	[102]	[130]	[83]

3648-3748 HBF,RV TYPE 3



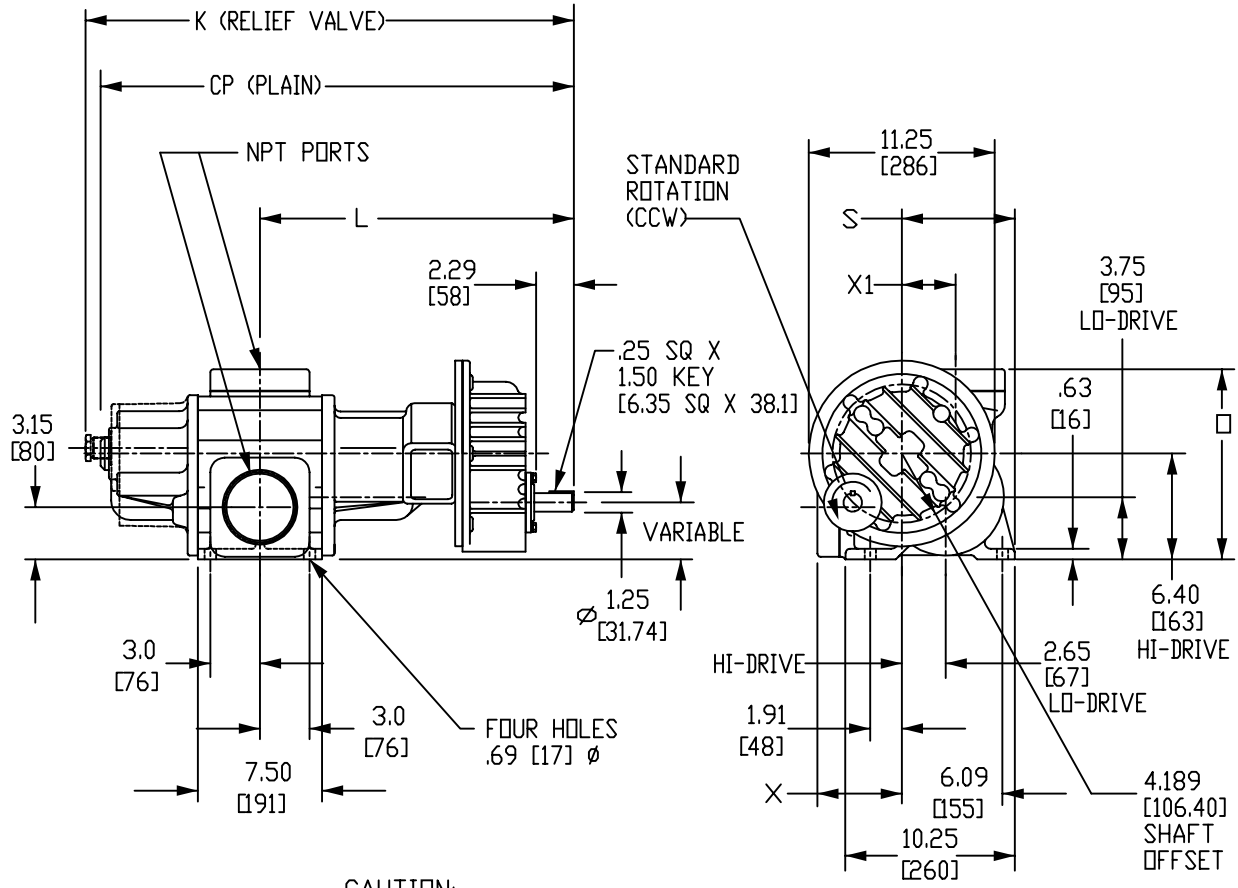
PROJECTION



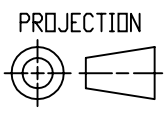
DO NOT SCALE
DIMS IN INCHES [MM]

PUMP	CP	K	L	∅	PORTS	S	V	X	X1
3648 & 3748 HBF	27.02	27.93	17.38	11.50	4" FLANGED	6.84	3.94	5.10	3.25
3648 & 3748 HBFRV	[686]	[710]	[442]	[292]		[174]	[100]	[130]	[83]

3648-3748 GHBF,RV TYPE 3



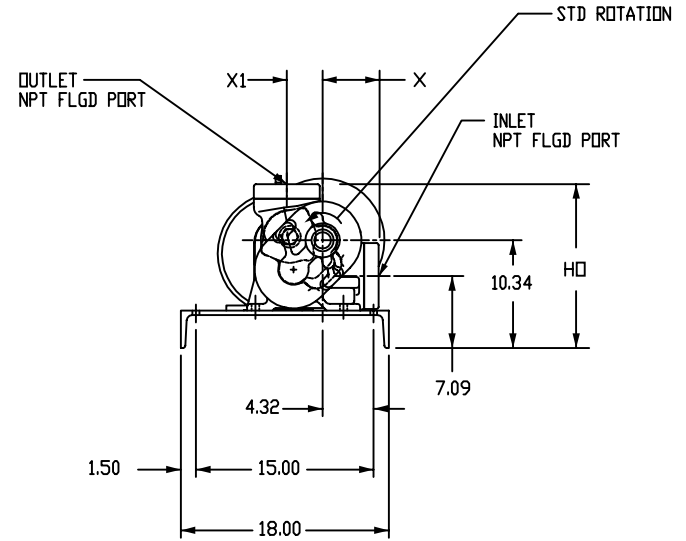
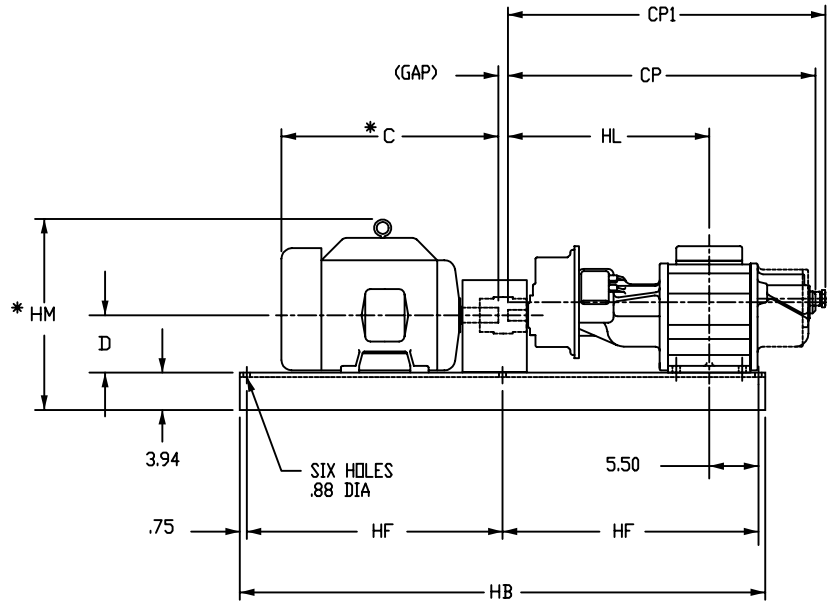
CAUTION:
LO-DRIVE CONFIGURATION CAUSES GEARBOX TO PROJECT BELOW MOUNTING SURFACE OF PUMP.



DO NOT SCALE
DIMS IN INCHES [MM]

PUMP	CP	K	L	□	PORTS	S	X	X1
3648 & 3748 GHBF	28.63	29.55	19.00	11.50	4" FLANGED	6.84	5.10	3.25
3648 & 3748 GHBF RV	[727]	[751]	[483]	[292]		[174]	[130]	[83]

3648-3748 MGHBF,RV TYPE 3



✓ PUMP	PORT SIZE	X	X1	CP	CP1	HL	PUMP		APPROXIMATE PUMP WEIGHT	
							HD	PLAIN	W/RV	
3648-3748 HBF, RV	4" NPT FLG	5.10	3.25	28.63	29.55	19.00	15.44	257	260	

✓ MOTOR FRAME	* MOTOR WEIGHT	BASE/COUPLING/HARDWARE WEIGHT	*C	D	*HM	HB	HF	(GAP)
182T	97	177	16.56	5.5	16.19	48	23.25	.88
184T	110		18.06					
213T	162	179	18.56	6.25	17.94	52	25.25	1.0
215T	189		21.09					
254T	283	196	23.19	6.25	18.13	52	25.25	1.0
256T	290		27.76					
284T	396	211	27.76	7.0	21.10	52	25.25	1.0
286T	417		27.76					

✓ = UNIT SELECTED

DIMENSIONS IN INCHES
WEIGHTS IN POUNDS

* DIMENSIONS AND MOTOR WEIGHTS WILL VARY BASED ON MOTOR MANUFACTURER AND TYPE. CHART DIMENSIONS AND MOTOR WEIGHTS BASED ON TEFC 3 PHASE MOTORS.

RV = RELIEF VALVE

LOVEJOY COUPLINGS STANDARD



ROPER PUMP COMPANY
P.O. BOX 269
3475 OLD MAYSVILLE RD
COMMERCE, GEORGIA 30529 U.S.A.

TELEPHONE: (706) 335-5551
TELEFAX: (706) 335-5505

DATE: _____

PUMP NO.: _____

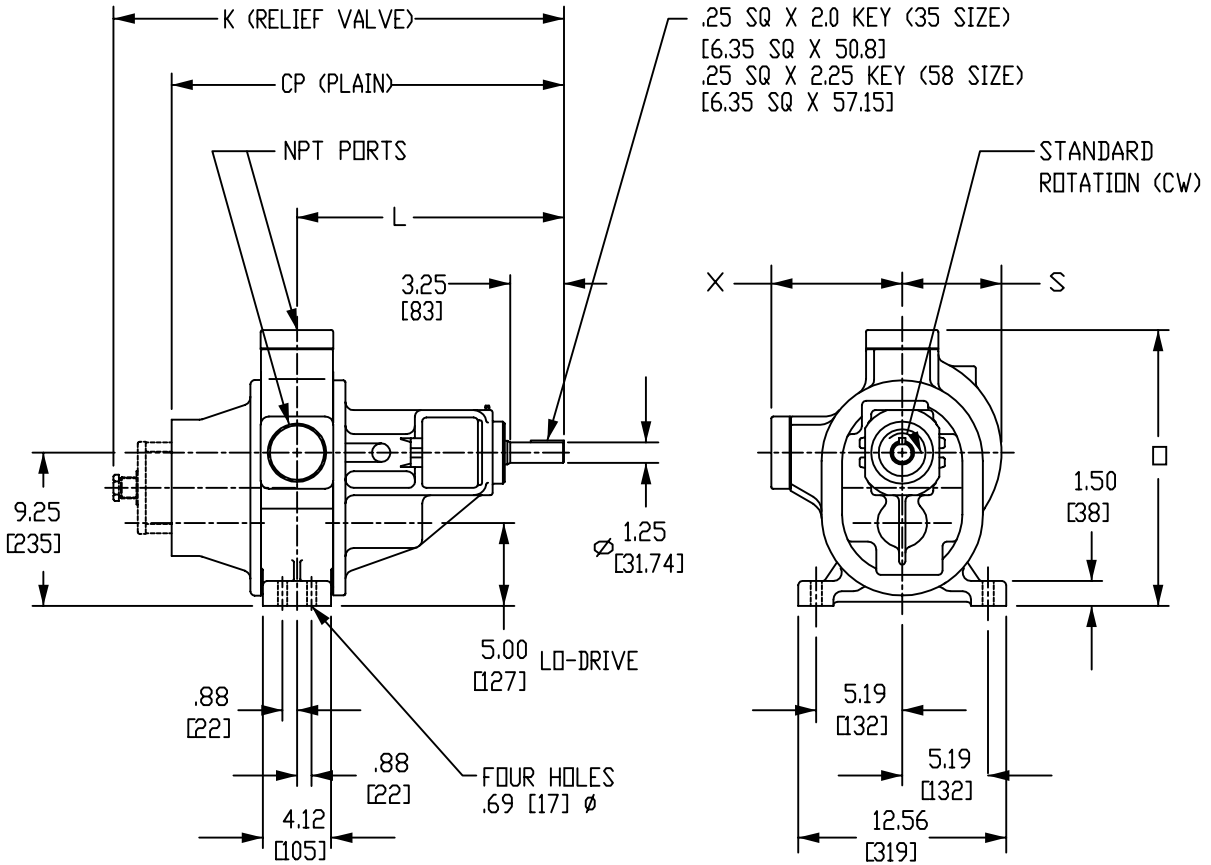
ROPER NO.: _____

CUSTOMER: _____

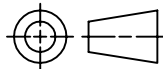
CUSTOMER NO.: _____

SERVICE: _____

3635-3758 HB,F,RV TYPE 3



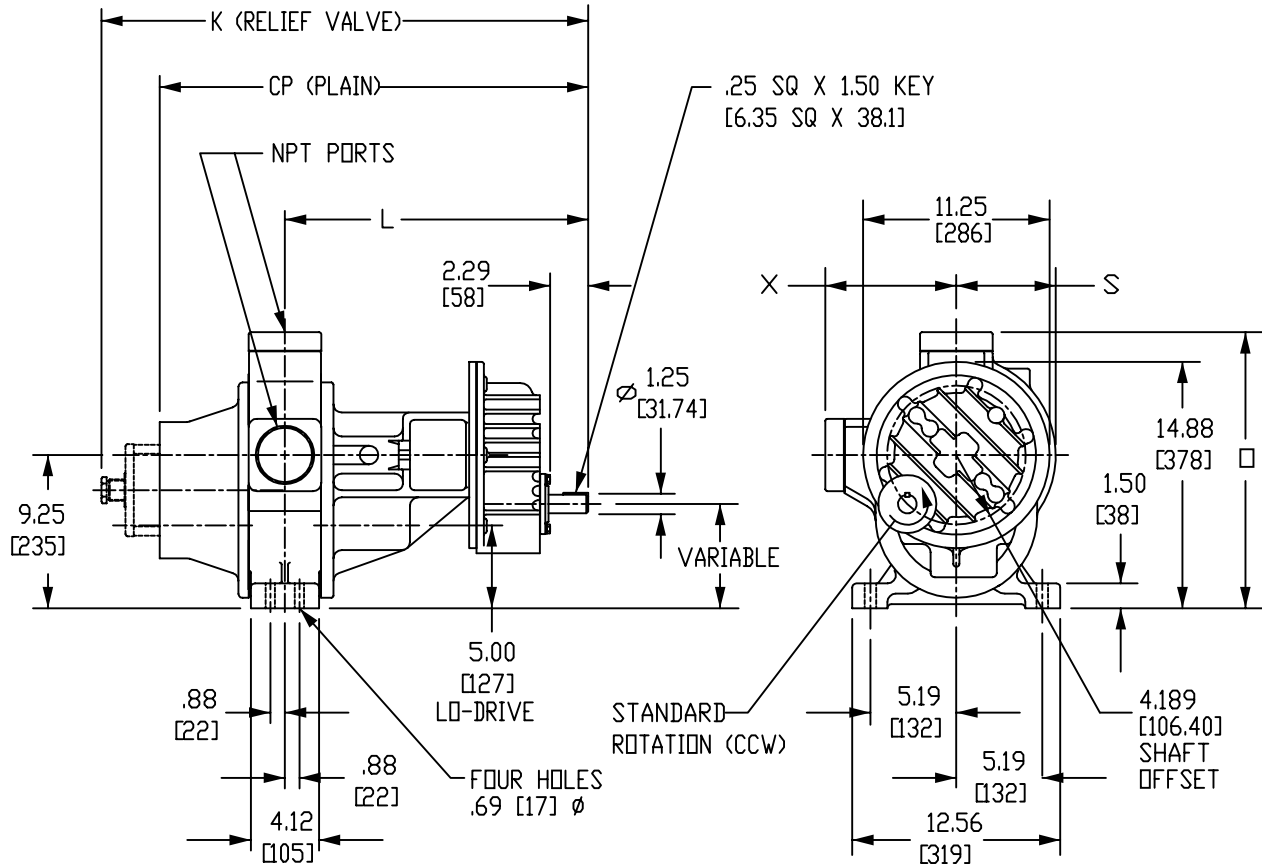
PROJECTION



DO NOT SCALE
DIMS IN INCHES [MM]

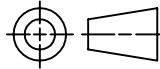
PUMP	CP	K	L	\square	PORTS	S	X
3635 & 3735 HB				15.63 [397]	3" TAPPED		6.88 [175]
3635 & 3735 HBRV	23.69 [602]	27.20 [691]	16.12 [409]			6.00 [152]	
3635 & 3735 HBF				16.66 [423]	3" FLANGED		7.91 [201]
3635 & 3735 HBFRV							
3658 & 3758 HBF	26.53 [674]	30.04 [763]	17.54 [446]	17.35 [441]	4" FLANGED	6.28 [160]	8.10 [206]
3658 & 3758 HBFRV							

3635-3758 GHB,F,RV TYPE 3



CAUTION:
LO-DRIVE CONFIGURATION CAUSES GEARBOX TO PROJECT BELOW MOUNTING SURFACE OF PUMP.

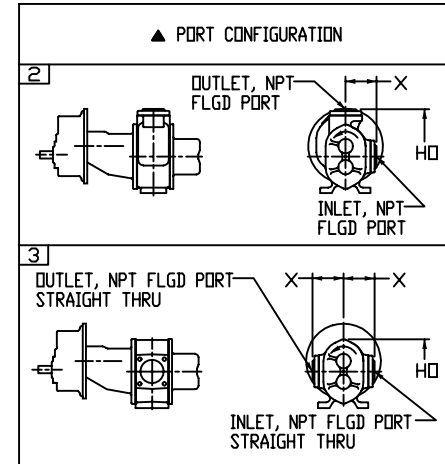
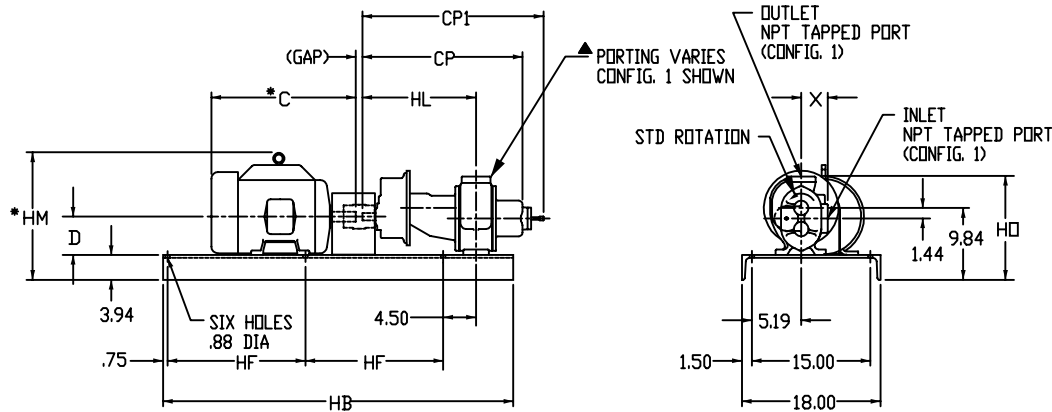
PROJECTION



DO NOT SCALE
DIMS IN INCHES [MM]

PUMP	CP	K	L	□	PORTS	S	X
3635 & 3735 GHB	25.88 [657]	29.39 [747]	18.31 [465]	15.63 [397]	3" TAPPED	6.00 [152]	6.88 [175]
3635 & 3735 GHBRV				16.66 [423]	3" FLANGED		7.91 [201]
3635 & 3735 GHBF	28.72 [730]	32.23 [819]	19.73 [501]	17.35 [441]	4" FLANGED	6.28 [160]	8.10 [206]
3635 & 3735 GHBFRV							

3635-4758 MGHBF,RV TYPE 3



✓	PUMP	PORT CONFIG.	PORT SIZE	X	HO	APPROXIMATE PUMP WEIGHT				
						CP	CP1	HL	PLAIN	W/RV
	3635-3735 GHBF,RV	1	3" NPT	6.88	19.56	25.88	29.38	18.31	275	285
	3635-3735 GHBF,RV	2	3" NPT FLG	7.91	20.60					
	3658-3758 GHBF,RV	2	4" NPT FLG	8.10	21.29	28.75	32.25	19.75	385	395
	4658-4758 GHBF,RV	3	4" NPT FLG	8.10	17.56					

✓ = UNIT SELECTED

DIMENSIONS IN INCHES
WEIGHTS IN POUNDS

* DIMENSIONS AND MOTOR WEIGHTS WILL VARY BASED ON MOTOR MANUFACTURER AND TYPE. CHART DIMENSIONS AND MOTOR WEIGHTS BASED ON TEFC 3 PHASE MOTORS.

RV = RELIEF VALVE

LOVEJOY COUPLINGS STANDARD

✓	MOTOR FRAME	* MOTOR WEIGHT	BASE/COUPLING/HARDWARE WEIGHT		*C	D	*HM	HB	HF	(GAP)
			35	58						
	182T	97			16.56	5.5	16.19	48	19.13	.88
	184T	110	181	181	18.06					
	213T	162			18.56	6.25	17.94			
	215T	189	181	181	21.09					
	254T	283	177	177	23.19	6.25	18.13	48	19.13	1.0
	256T	290			23.19					
	284T	396			27.76	7.0	21.10			
	286T	417	177	177	27.76					



ROPER PUMP COMPANY
P.O. BOX 269
3475 OLD MAYSVILLE RD
COMMERCE, GEORGIA 30529 U.S.A.

TELEPHONE: (706) 335-5551
TELEFAX: (706) 335-5505

DATE: _____

PUMP NO.: _____

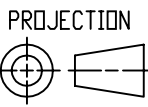
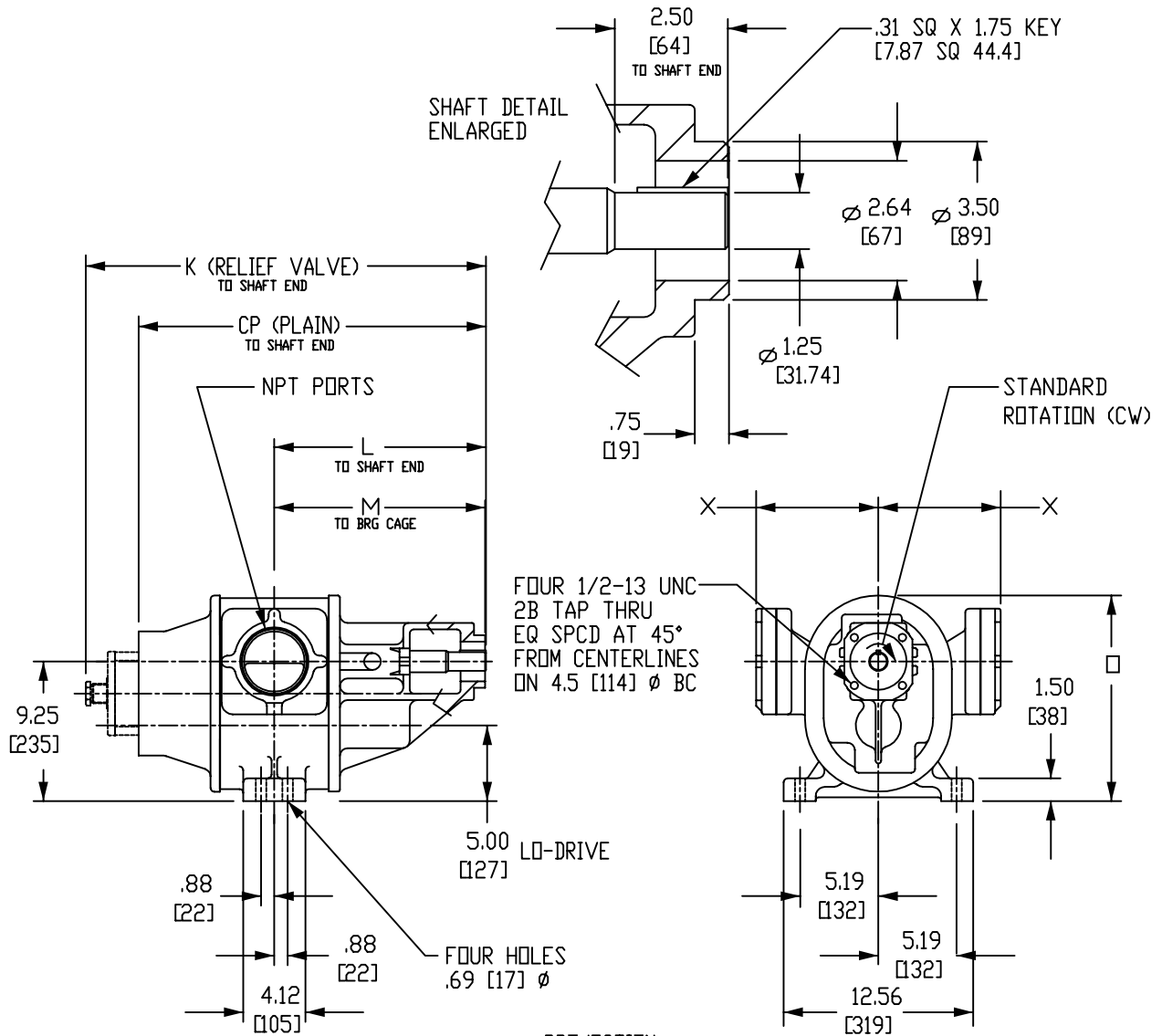
ROPER NO.: _____

CUSTOMER: _____

CUSTOMER NO.: _____

SERVICE: _____

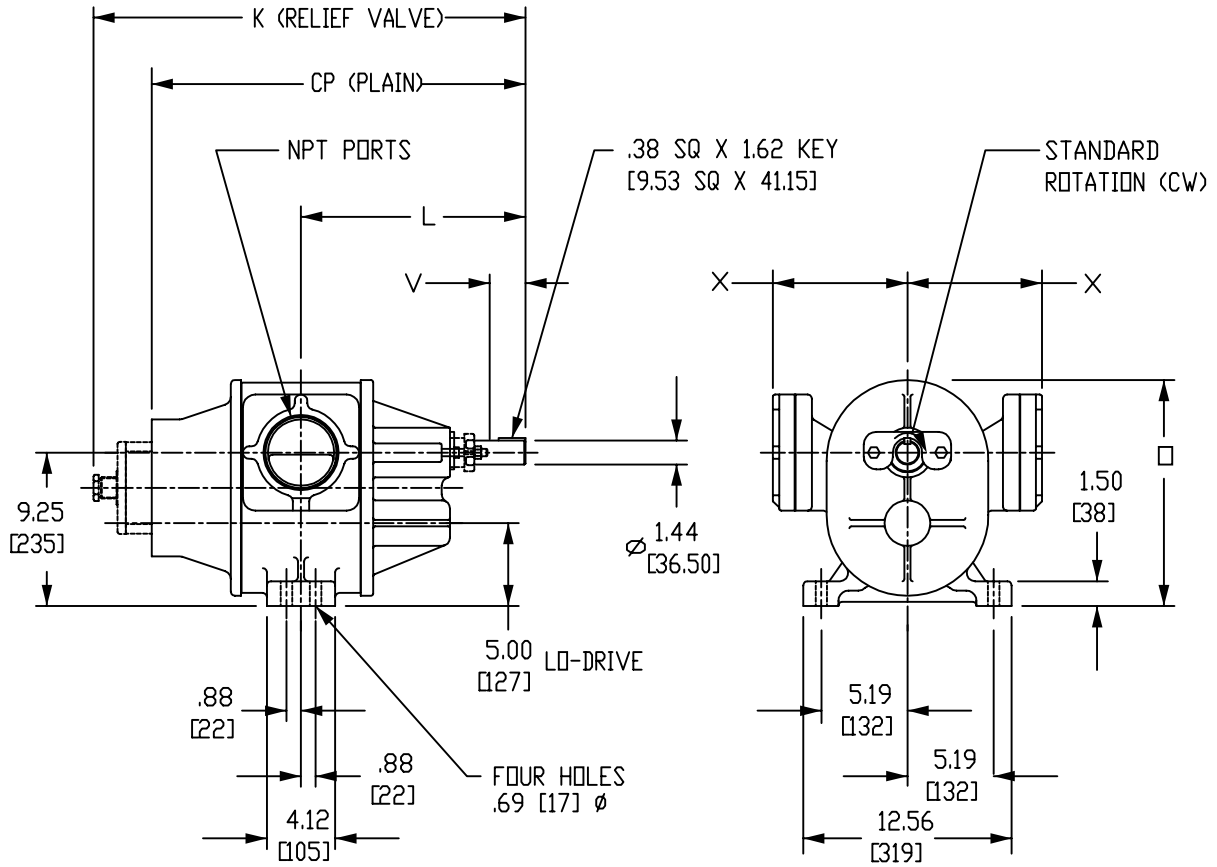
4658-4758 BHF,RV TYPE 3



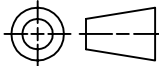
DO NOT SCALE
DIMS IN INCHES [MM]

PUMP	CP	K	L	M	□	PORTS	X
4658 & 4758 BHF	23.03 [585]	26.54 [674]	14.04 [357]	13.98 [355]	13.63 [346]	4' FLANGED	8.10 [206]
4658 & 4758 BHFRV							

4658-4758 HF,RV SPEC G TYPE 3



PROJECTION

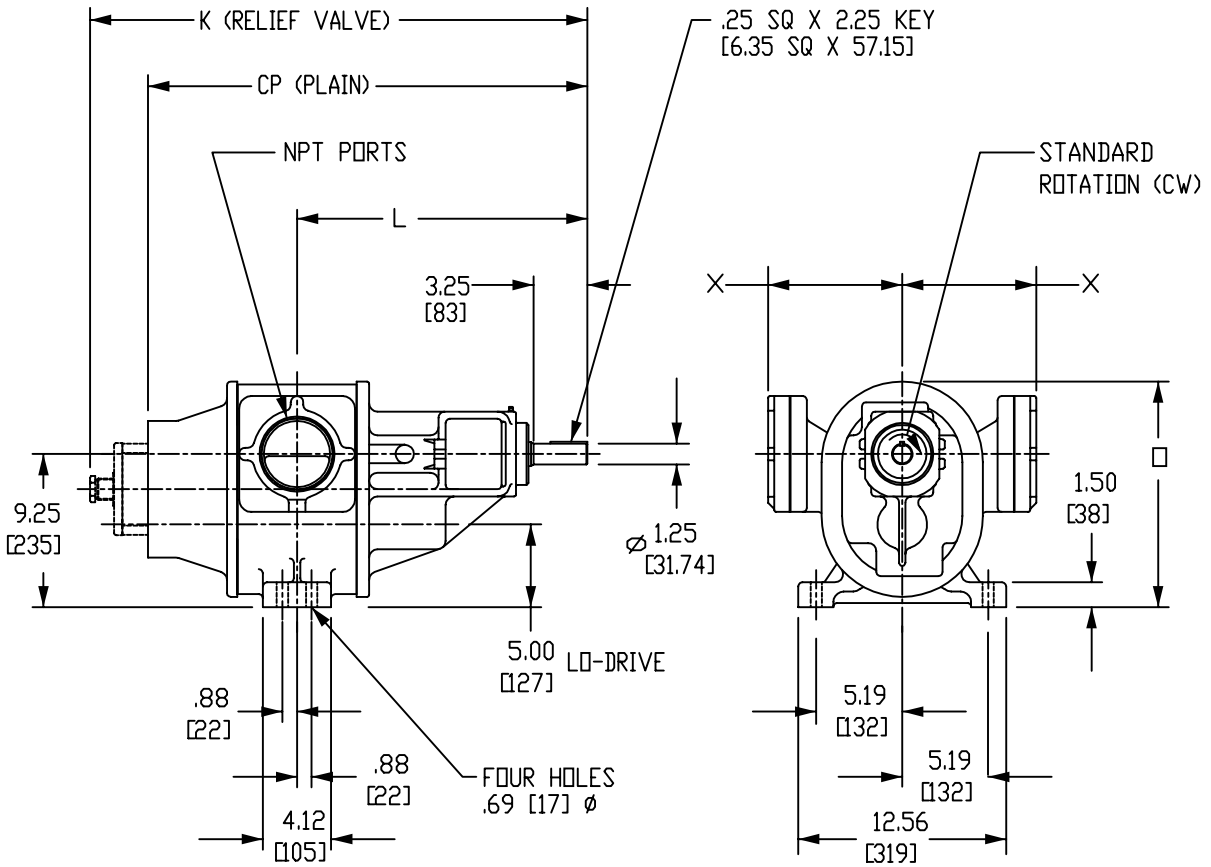


DO NOT SCALE
DIMS IN INCHES [MM]

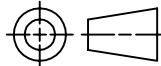
▲ PACKED BOX
★ MECH SEAL

PUMP	CP	K	L	\square	PORTS	▲ V ★	X
4658 & 4758 HF	22.51	26.02	13.52	13.63	4" FLANGED	2.29	4.00
4658 & 4758 HFRV	[572]	[661]	[343]	[346]		[58]	[102]

4658-4758 HBF,RV TYPE 3



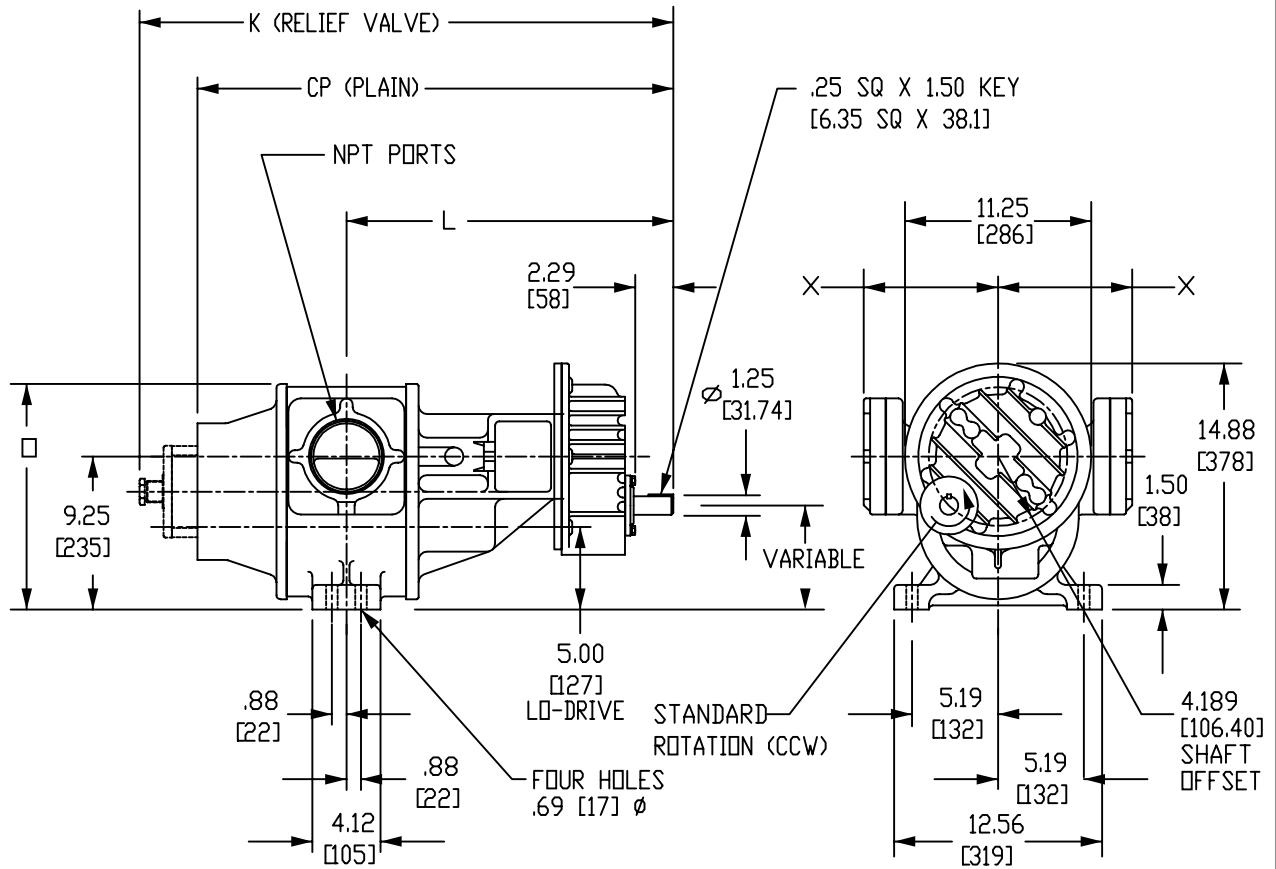
PROJECTION



DO NOT SCALE
DIMS IN INCHES [MM]

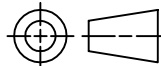
PUMP	CP	K	L	□	PORTS	X
4658 & 4758 HBF	26.53 [674]	30.04 [763]	17.54 [446]	13.63 [346]	4" FLANGED	8.10 [206]
4658 & 4758 HBFRV						

4658-4758 GHBF,RV TYPE 3



CAUTION:
LO-DRIVE CONFIGURATION CAUSES GEARBOX TO PROJECT BELOW MOUNTING SURFACE OF PUMP.

PROJECTION



DO NOT SCALE
DIMS IN INCHES [MM]

PUMP	CP	K	L	\square	PORTS	X
4658 & 4758 GHBF	28.72 [730]	32.23 [819]	19.73 [501]	13.63 [346]	4" FLANGED	8.10 [206]
4658 & 4758 GHBF RV						