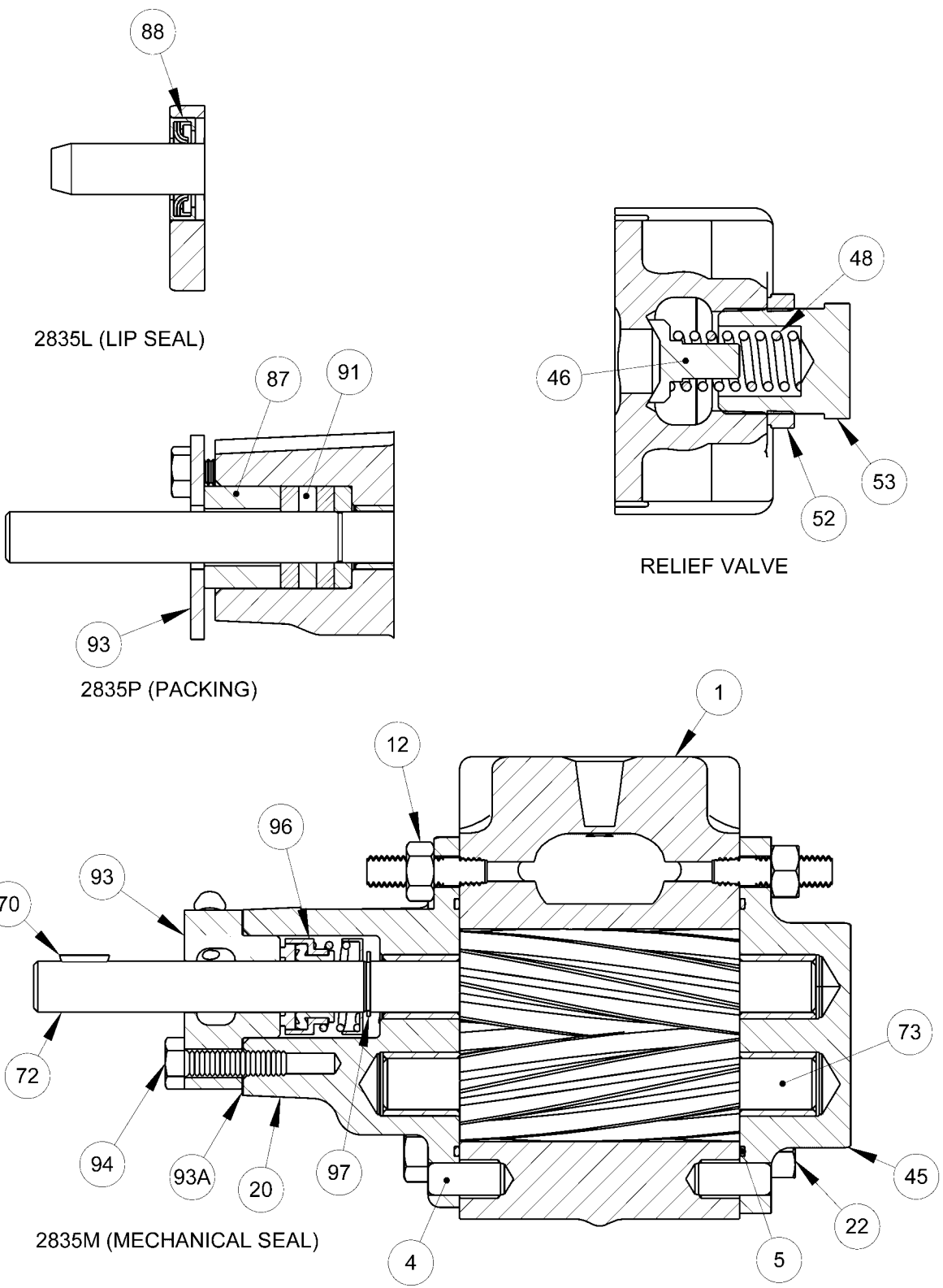


2835 M, L, P TYPE 2



2835M, P, L TYPE 2

KEY NO.	DESCRIPTION	2835M		2835P		2835L	
		QTY	PART NO.	QTY	PART NO.	QTY	PART NO.
1	Case Assy	1	N22-224	1	N22-224	1	N22-224
4	Dowel Pin	4	G48-42	4	G48-42	4	G48-42
5	"O" Ring, Case	2	G68-108	2	G68-108	2	G68-108
12	Nut	4	G44-031	4	G44-031	4	G44-031
20	Backplate Assy, Iron Brgs	1	N2-1528	1	N2-1528	1	N2-1510
22	Hex Hd Cap Screw	4	G49-031075	4	G49-031075	4	G49-031075
45	Faceplate Assy, Iron Brgs	1	N3-726	1	N3-726	1	N3-726
46	Poppet	1	D16-116	1	D16-116	1	D16-116
48	Spring	1	G10-389	1	G10-389	1	G10-389
52	Nut, Lock & Seal	1	G33-31	1	G33-31	1	G33-31
53	Adjusting Screw	1	D15-43	1	D15-43	1	D15-43
70	Key, Drive	1	D30-80	1	D30-80	1	D30-80
72	Drive Shaft & Gear	1	D2-1436	1	D2-1436	1	D2-1424
73	Idler Shaft & Gear	1	D2-1425	1	D2-1425	1	D2-1425
87	Pkg Gland, Pkg	0	N/A	1	D5-443	0	N/A
88	Lip Seal	0	N/A	0	N/A	1	G17-71
91	Pkg Rings, Pkg	4	G14-193	0	N/A	0	N/A
93	Retainer, Pkg	0	N/A	1	D8-374	0	N/A
	Brg Cage Assy, Mech Seal	1	N8-42	0	N/A	0	N/A
93A	Brg Cage Gasket, Mech Seal	1	G11-14	0	N/A	0	N/A
94	Hex Hd Cap Screw	2	G49-025100	2	G49-025100	0	N/A
96	Mech Seal	1	G14-263	0	N/A	0	N/A
97	Ret Ring	1	G41-72	0	N/A	0	N/A

Backplate Assy includes Iron Brgs: (2) D5-284

Faceplate Assy includes Iron Brgs: (2) D5-284