

# COMPACT HOLDING TANK/PORTABLE HOLDING TANK INSTALLATION AND INSTRUCTION MANUAL

THE FOLLOWING ARE CAUTIONARY STATEMENTS THAT MUST BE READ AND FOLLOWED DURING BOTH INSTALLATION AND OPERATION

**WARNING:** *Raritan Engineering Company, Inc. recommends that a qualified person install this product. Equipment damage, injury to personnel or death could result from improper installation. Raritan Engineering Company, Inc. accepts no responsibility or liability for damage to equipment, or injury or death to personnel that may result from improper installation or operation of this product.*

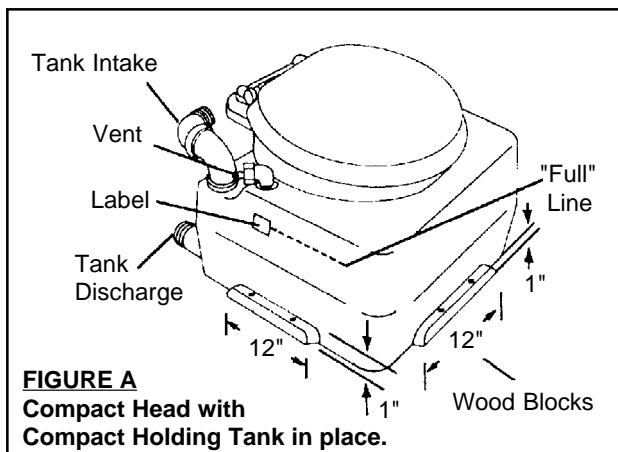
**WARNING: HAZARD OF FLOODING -** Always shut off seacocks before leaving boat unattended.  
Vent and tank discharge must be installed correctly to avoid the possibility of flooding.

Raritan's Compact Holding Tanks are five gallon semi-translucent tanks designed to fit snugly around Raritan's PHII, PHEII, PHEHBII, Compact or Compact II toilets. The Permanent Compact Holding Tank can be installed for use with a deck fitting for pump-out service. The Portable Compact Holding Tank can be carried ashore for emptying. To convert from Permanent to Portable or Portable to Permanent additional fittings are required. **NOTE: For conversion, tank must be empty.**

## INSTALLATION

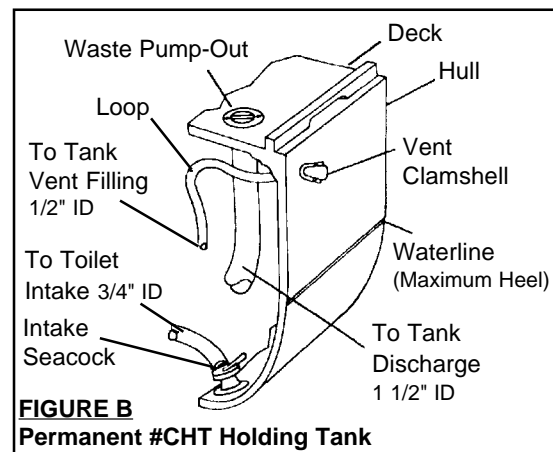
### MOUNTING - Permanent and Portable

1. Place tank around toilet on a level surface.
2. Place two wooden strips approximately 1 inch x 12 inches long along the front and side of the tank, pressing firmly so that the tank is against the bowl (Figure A).
3. Mark the location of both strips then remove tank.
4. Fasten strips securely to the deck in the position marked and replace tank.



### PLUMBING - Permanent

1. Install the deck pump-out fitting in a location which:
  - a) will keep the hose connecting it to the tank as short as possible.
  - b) allows rinsing of tank after pump-out.
  - c) is away from fuel and potable water intakes.
2. Install a vent fitting on the hull which:
  - a) is located above the tank and above waterline at full heel.
  - b) will be protected from spray or submersion at full heel.
  - c) has a loop and clamshell cover (Figure B) to further prevent against water coming in.
3. Turn discharge fitting of toilet to face intake of tank and connect using a good quality sanitation hose (Raritan part #SH). Secure ends with double hose clamps.



### PLUMBING - Portable

Install a vent fitting on the hull which:

- a) is located above the tank at full heel.
- b) will be protected from spray or submersion at full heel.
- c) has a loop and clamshell cover (Figure B) to further prevent against water coming in.

Turn discharge fitting of toilet to face intake of tank and connect using supplied sanitation hose (Raritan part #SH). Secure ends with double hose clamps.

### EMPTYING - Portable

- 1. Flush toilet several times to clear waste hose.
- 2. Disconnect intake hose and cover fitting with cap provided. (CHTT7P)
- 3. Disconnect vent hose and cover fitting with cap provided. (CHTT16P)
- 4. Remove tank from around toilet and take to a proper facility for emptying.
- 5. To empty contents, remove the discharge cap. (CHTT3P)

### EMPTYING - Permanent

- 1. Remove deck "waste" cap.
- 2. Pump-out until tank is empty.

**Whenever the boat is not going to be in use, regardless of climate, the holding tank should be cleaned and stored as follows:**

### STORAGE - Permanent

- 1. After emptying tank, flush toilet until tank is filled with clean water.
- 2. Pump-out until tank is empty.
- 3. Dilute 1 oz. of Raritan Concentrate **OR** 1 cup of "Clorox" in a half gallon of water and add directly to the tank. This will help hold down odors and break up any solids remaining in the tank.

### STORAGE - Portable

- 1. After emptying tank, rinse out thoroughly with clean water.
- 2. Dilute 1 oz. of Raritan Concentrate **OR** 1 cup of "Clorox" in a half gallon of water and add directly to the tank. This will help hold down odors and break up any solids remaining.

**CAUTION: When handling Raritan Concentrate or "Clorox" avoid direct contact with skin or clothing. If contact occurs, flush the area thoroughly with water. DO NOT put "Clorox" into the toilet. Damage will result.**

### SPECIFICATIONS

U.S. Coast Guard Certification No. 159.15/1017/1

**Capacity:** 5 U.S. Gallons

**Use capacity:** Two persons for two days (estimated)

**Max. angle of pitch and roll:** Thirty degrees

**Size:** 16" wide x 18 1/2" deep x 12" high (increases toilet dimensions 2" to left and 2" in the front)

**Shipping Weight (empty):** 7lbs. 8oz.

**Tank Material:** Polyethylene

### CONVERSION

To change models the following parts are necessary:

**Note: Parts listed are for conversion to that model.** Change can be made at any time as long as tank is empty.

#### Permanent:

CHTT3C Discharge Fitting

#### Portable:

CHTT16P Vent cap & Chain Assembly

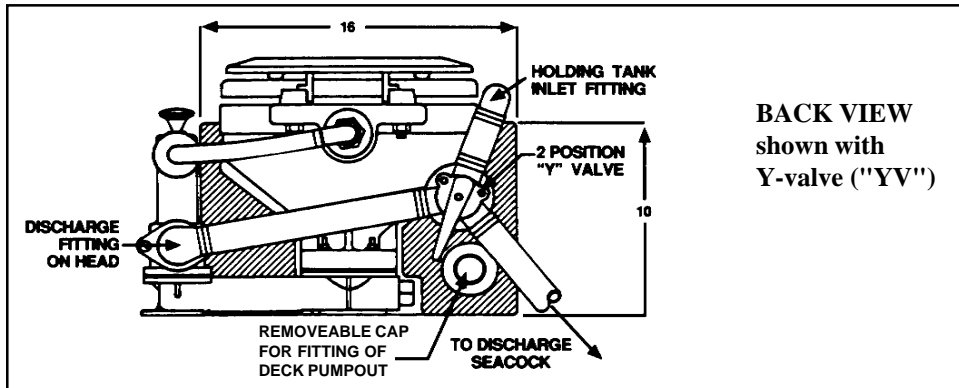
CHTT3P Discharge Cap Assembly.

CHTT7P Intake Cap & Chain Assembly

### TROUBLESHOOTING

Refer to toilet owner's manual for toilet troubleshooting. The following apply to holding tank problems:

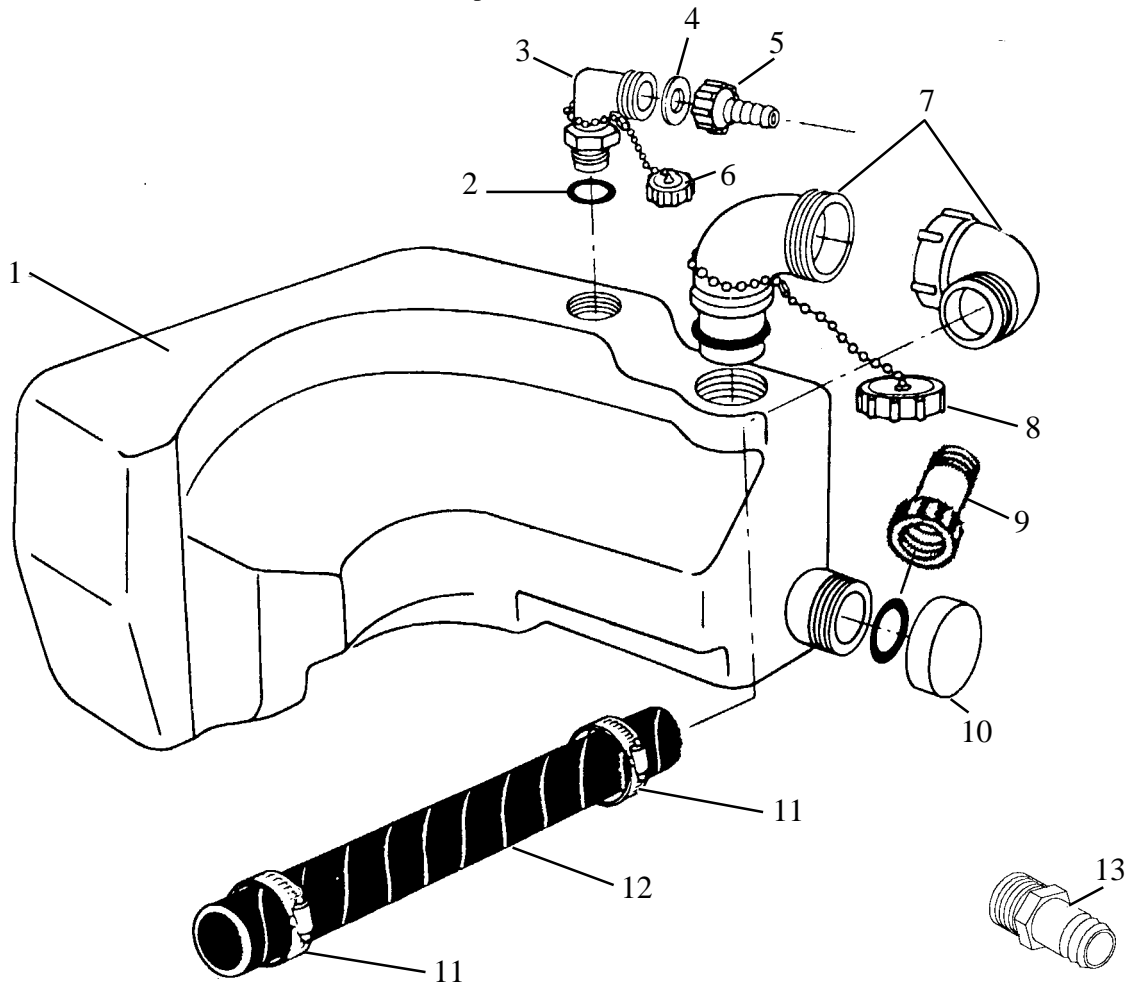
Problem	Possible Cause	Correction
Toilet is difficult to flush or will not pump-out	Clogged Vent Line	Remove and clean vent and line
Dockside pump will not remove waste from tank	Defective Pump Clogged Vent Line	Empty Pump Remove and clean vent and line



BACK VIEW  
shown with  
Y-valve ("YV")

### Compact Holding Tank Parts List and Exploded View - Permanent and Portable

Part #	Description	Unit
1	CHTT1 Holding Tank	BOTH
2	CHTT10 Vent "O" Ring	BOTH
3	CHTT4 Vent Fitting	BOTH
4	CHTT6 Vent Fitting Cap washer	BOTH
5	CHTT5 Vent Cap and Fitting	BOTH
6	CHTT16P Cap & Chain Assy.	PORTABLE
7	CHTT7 Intake Fittings (1316 O-Ring Included)	BOTH
8	CHTT7P Intake Cap and Chain Assy.	PORTABLE
9	CHTT3C Discharge	PERMANENT
10	CHTT3P Discharge Cap	PORTABLE
11	CHTT9 Hose Clamp	BOTH
12	CHTT8 16" Sanitation Hose	BOTH
13	31-121 Insert Male Adapter 1½"	PERMANENT



## LIMITED WARRANTY

Raritan Engineering Company warrants to the original purchaser that this product is free of defects in materials or workmanship for a period of one year from the product's date of purchase. Should this product prove defective by reason of improper workmanship and/or materials within the warranty period, Raritan shall, at its sole option, repair or replace the product.

1. TO OBTAIN WARRANTY SERVICE, Consumer must deliver the product prepaid, together with a detailed description of the problem, to Raritan at 530 Orange St., Millville, N.J. 08332, or 3101 SW 2nd Ave. Ft. Lauderdale, FL 33315. When requesting warranty service, purchaser must present a sales slip or other document which establishes proof of purchase. THE RETURN OF THE OWNER REGISTRATION CARD IS NOT A CONDITION PRECEDENT OF WARRANTY COVERAGE. However, please complete and return the owner Registration Card so that Raritan can contact you should a question of safety arise which could affect you.
2. THIS WARRANTY DOES NOT COVER defects caused by modifications, alterations, repairs or service of this product by anyone other than Raritan; defects in materials or workmanship supplied by others in the process of installation of this product; defects caused by installation of this product other than in accordance with the manufacturer's recommended installation instructions or standard industry procedures; physical abuse to, or misuse of, this product. This warranty also does not cover damages to equipment caused by fire, flood, external water, excessive corrosion or Act of God.
3. ANY EXPRESS WARRANTY NOT PROVIDED HEREIN, AND ANY REMEDY FOR BREACH OF CONTRACT WHICH BUT FOR THIS PROVISION MIGHT ARISE BY IMPLICATION OR OPERATION OF LAW, IS HEREBY EXCLUDED AND DISCLAIMED. ALL IMPLIED WARRANTIES SUCH AS THOSE OF MERCHANTABILITY AND OF FITNESS FOR A PARTICULAR PURPOSE, IF APPLICABLE, AS WELL AS ANY IMPLIED WARRANTIES WHICH MIGHT ARISE BY IMPLICATION OF LAW, ARE EXPRESSLY LIMITED TO A TERM OF ONE YEAR. SOME STATES DO NOT ALLOW LIMITATIONS ON HOW LONG A LIMITED WARRANTY LASTS, SO THE ABOVE LIMITATION MAY NOT APPLY TO YOU.
4. UNDER NO CIRCUMSTANCES SHALL RARITAN BE LIABLE TO PURCHASER OR ANY OTHER PERSONS FOR ANY SPECIAL OR CONSEQUENTIAL DAMAGES, WHETHER ARISING OUT OF BREACH OF WARRANTY, BREACH OF CONTRACT, OR OTHERWISE. SOME STATES DO NOT ALLOW THE EXCLUSION OR LIMITATION OF INCIDENTAL OR CONSEQUENTIAL DAMAGES, SO THE ABOVE LIMITATION OR EXCLUSION MAY NOT APPLY TO YOU.
5. No other person or entity is authorized to make any express warranty, promise or affirmation of fact or to assume any other liability on behalf of Raritan in connection with its products except as specifically set forth in this warranty.
6. This warranty gives you specific legal rights, and you may also have other rights which vary from state to state.



L170 0797srf

Specifications Subject to Change Without Notice