

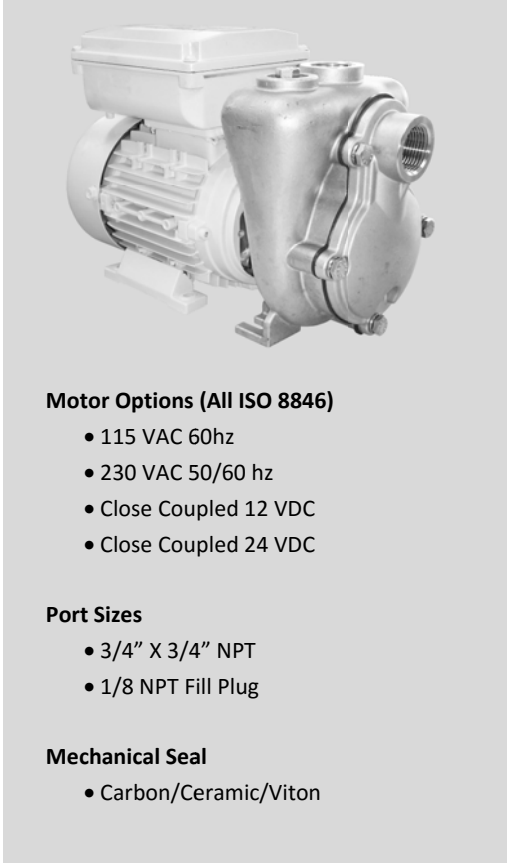
# Primetime Pump

The Primetime Pump is a high performance self-priming 316 stainless steel centrifugal pump. The pump is ideal for marine, industrial, agricultural or commercial applications where suction lift is required.

Primetime features all 316 stainless steel components for superior corrosion resistance when pumping sea water or chemical compounds. A carbon/ceramic/Viton mechanical shaft seal is standard. Ports are 3/4" NPT with a 1/8" NPT fill port. The Primetime model is capable of 12 foot suction lift (3450 rpm). Marine ignition protected motors (ISO 8846).

## SPECIFICATIONS:

- Flow ..... Up to 21 GPM
- Head Feet ..... Up to 23'
- Housing ..... 316 Stainless Steel (Investment Cast)
- Cover ..... 316 Stainless Steel
- Impeller ..... 316 Stainless Steel Semi-Open
- Wearplate ..... 316 Stainless Steel
- Mechanical Seal ..... Carbon / Ceramic / Viton Bellows
- O-ring/Flapper ..... Viton
- Weight ..... 16 lbs



**Motor Options (All ISO 8846)**

- 115 VAC 60hz
- 230 VAC 50/60 hz
- Close Coupled 12 VDC
- Close Coupled 24 VDC

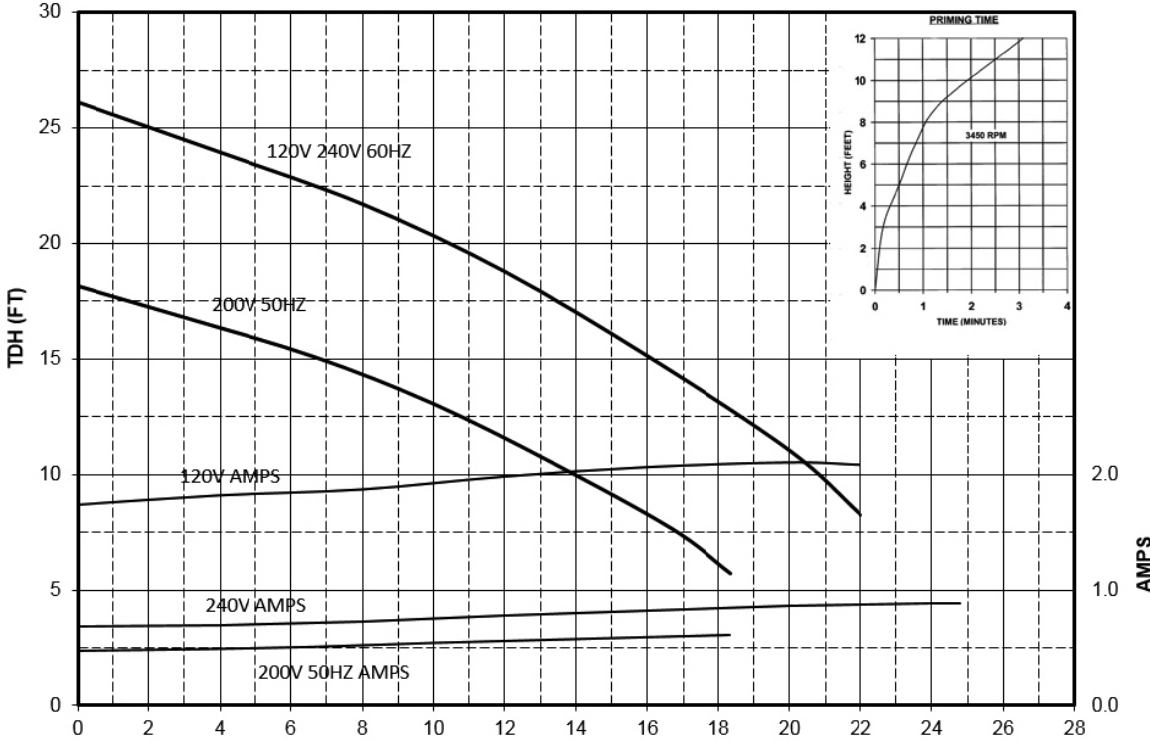
**Port Sizes**

- 3/4" X 3/4" NPT
- 1/8 NPT Fill Plug

**Mechanical Seal**

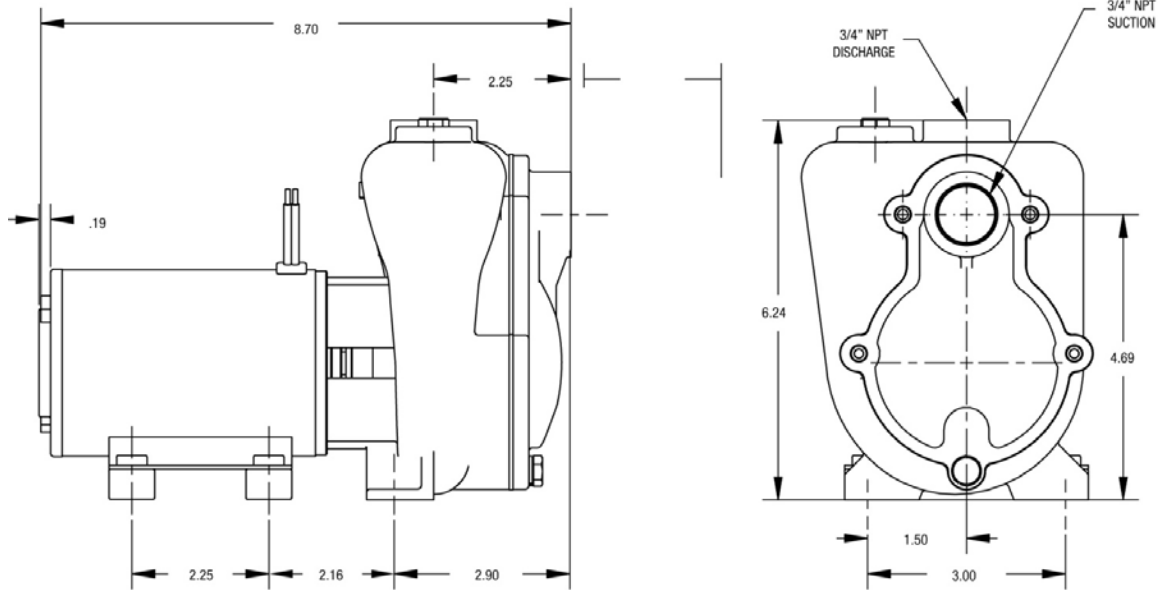
- Carbon/Ceramic/Viton

\*(1/2" and 3/8" hose curves are available at: [www.primetimepump.com](http://www.primetimepump.com))



# Primetime Pump

12 and 24 VDC Dimensions



115/230 VAC Dimensions

