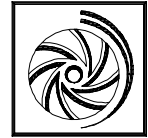




PRICE PUMP CO.

XJ /JB PARTS LIST

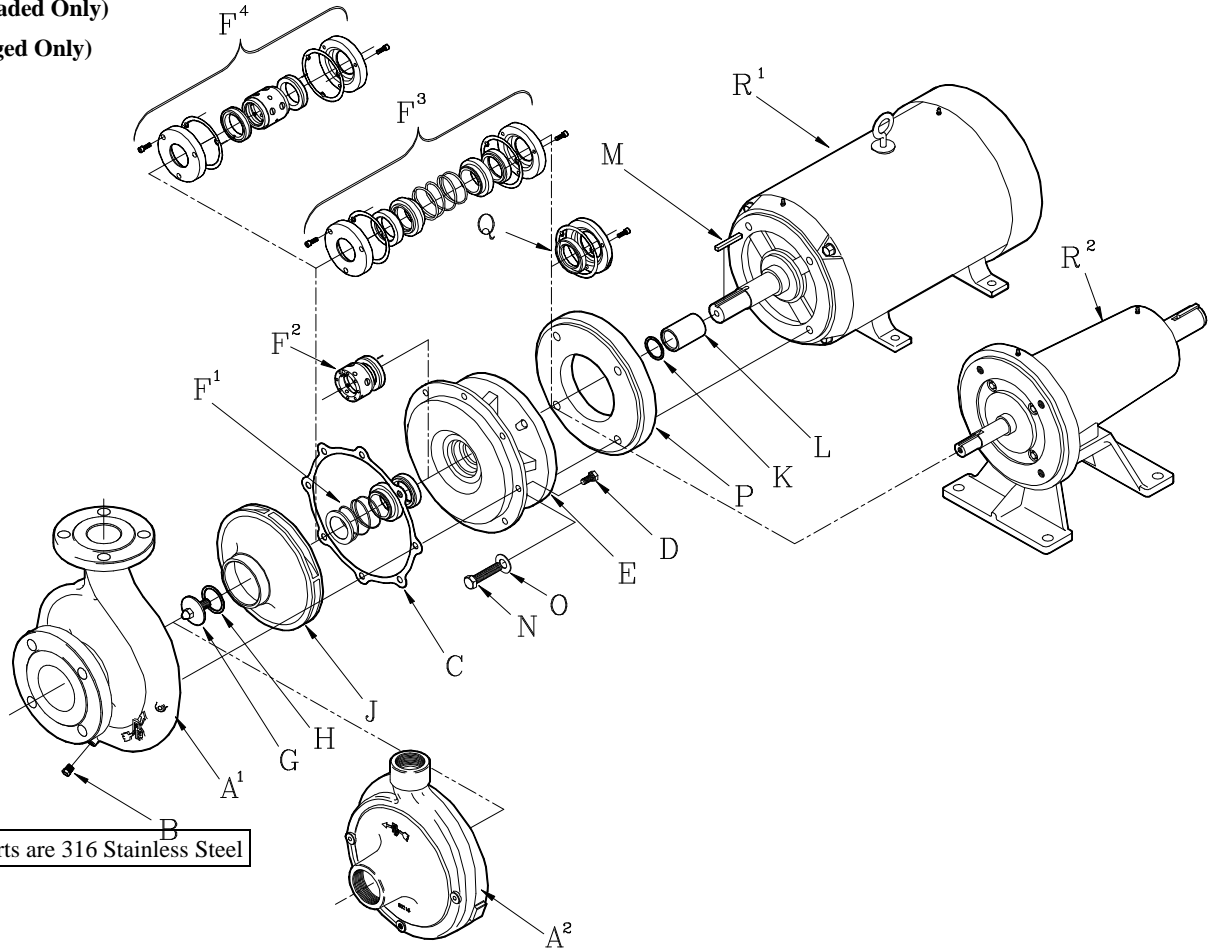
Effective: June 26, 1997



For Sizes:

- 1 x 1½ 8
- 1½ x 2-8 (Threaded Only)
- 1½ x 3-8 (Flanged Only)
- 2 x 3 - 8

Continued on Back



Note: All wetted parts are 316 Stainless Steel

<p>A¹. Volute (Flanged) (316SS)</p> <p style="padding-left: 20px;">1 x 1½8 (XJ100) 2620</p> <p style="padding-left: 20px;">1½ x 3-8 (XJ150) 2622</p> <p style="padding-left: 20px;">2 x 3-8 (XJ200) 2624</p> <p>A². Volute (Threaded Opt) (316SS)</p> <p style="padding-left: 20px;">1 x 1½8 (JB100) 4002</p> <p style="padding-left: 20px;">1½ x 2-8 (JB150) 4003</p> <p style="padding-left: 20px;">2 x 3-8 (JB200) 4000</p>	<p>B. 1/8" Pipe Plug (1 rqd std, 3 others opt)(316SS) 0559</p> <p>C. Volute Gasket, PTFE 4035</p> <p>D. Volute Bolts (8 rqd) (316SS) 0724</p> <p>E. Bracket (316SS)</p> <p style="padding-left: 20px;">Single Seal (std) 4010</p> <p style="padding-left: 20px;">Double Seal 4010-1</p> <p style="padding-left: 20px;">Single Flush 4010-2</p> <p style="padding-left: 20px;">Quench & Flush 4010-3</p> <p style="padding-left: 20px;">Internal Flush 4010-4</p>	<p><u>XJ/JB</u></p>
--	--	---------------------

Price® Pump Company

21775 8th Street East ♦ P.O. Box Q ♦ Sonoma, CA 95476-0329 ♦ (707) 938-8441 ♦ Fax (707) 938-0764

XJ/JB Parts List - Continued

Page 2 of 2

		<u>XJ/JB</u>																																																																																																																																				
F ¹ .	T.21 Fluorocarbon Single Seal/Seat (std)	0122																																																																																																																																				
F ² .	T.9 PTFE Single Seal/Seat (opt)	0123																																																																																																																																				
	Seat Pin for T.9 (not shown)	0890																																																																																																																																				
F ³ .	T.21 Fluorocarbon Double Seal/Seat (opt)	1024																																																																																																																																				
	Double Seal Plate T.21 (2 rqd)	0309																																																																																																																																				
	Plate Gasket, PTFE (2 rqd)	0505																																																																																																																																				
	Seal Plate Bolts (6 rqd)	0977																																																																																																																																				
F ⁴ .	T.9 PTFE Double Seal/Seat (opt)	0670																																																																																																																																				
	Double Seal Plate T.9 (2 rqd)	0309-1																																																																																																																																				
	Plate Gasket, PTFE (2 rqd)	0505																																																																																																																																				
	Plate Bolts (6 rqd)	0977																																																																																																																																				
	Seat Pin for T.9 (2 rqd, not shown)	0890																																																																																																																																				
<table border="0" style="width: 100%; border-collapse: collapse;"> <thead> <tr> <th style="width: 60%;"></th> <th style="width: 20%; text-align: center;"><u>143JM-215JM</u></th> <th style="width: 20%; text-align: center;"><u>254/256JM</u></th> </tr> </thead> <tbody> <tr> <td>G.</td> <td>Impeller lockdown</td> <td style="text-align: center;">0978</td> <td style="text-align: center;">4050</td> </tr> <tr> <td>H.</td> <td>Lockdown Gasket, PTFE</td> <td style="text-align: center;">0245</td> <td style="text-align: center;">4060</td> </tr> <tr> <td>J.</td> <td>Impeller for Flanged Volute **</td> <td></td> <td></td> </tr> <tr> <td></td> <td style="padding-left: 20px;">1 x 1½-8 (XJ100)</td> <td style="text-align: center;">2621-dia</td> <td style="text-align: center;">N/A</td> </tr> <tr> <td></td> <td style="padding-left: 20px;">1½ x 3-8 (XJ150)</td> <td style="text-align: center;">4024-dia</td> <td style="text-align: center;">4026-dia</td> </tr> <tr> <td></td> <td style="padding-left: 20px;">2 x 3 -8 (XJ200)</td> <td style="text-align: center;">2628-dia</td> <td style="text-align: center;">2625-dia</td> </tr> <tr> <td></td> <td>Impeller for Threaded Volute (opt) **</td> <td></td> <td></td> </tr> <tr> <td></td> <td style="padding-left: 20px;">1 x 1½-8 (JB100)</td> <td style="text-align: center;">4022-dia</td> <td style="text-align: center;">N/A</td> </tr> <tr> <td></td> <td style="padding-left: 20px;">1½ x 2-8 (JB150)</td> <td style="text-align: center;">4024-dia</td> <td style="text-align: center;">4026-dia</td> </tr> <tr> <td></td> <td style="padding-left: 20px;">2 x 3 -8 (JB200)</td> <td style="text-align: center;">4020-dia</td> <td style="text-align: center;">4025-dia</td> </tr> <tr> <td></td> <td colspan="3">** For Double Seal Impellers (add "DS"to Impeller P/N. For Example: 2621DS or 4022DS)</td> </tr> <tr> <td>K.</td> <td>Sleeve Gasket, PTFE</td> <td style="text-align: center;">0245</td> <td style="text-align: center;">4045</td> </tr> <tr> <td>L.</td> <td>Shaft Sleeve</td> <td style="text-align: center;">0127</td> <td style="text-align: center;">4040</td> </tr> <tr> <td>M.</td> <td>Impeller Shaft Key</td> <td style="text-align: center;">0135</td> <td style="text-align: center;">0136</td> </tr> <tr> <td>N.</td> <td>Bracket Bolts (4 rqd)</td> <td></td> <td style="text-align: center;">0595</td> </tr> <tr> <td></td> <td style="padding-left: 20px;">143-184JM</td> <td style="text-align: center;">0588</td> <td></td> </tr> <tr> <td></td> <td style="padding-left: 20px;">213JM/215JM</td> <td style="text-align: center;">1189</td> <td></td> </tr> <tr> <td>O.</td> <td>Bracket Bolt Washers (4 rqd)</td> <td></td> <td></td> </tr> <tr> <td></td> <td style="padding-left: 20px;">143-184JM</td> <td style="text-align: center;">1137</td> <td></td> </tr> <tr> <td></td> <td style="padding-left: 20px;">213JM/215JM</td> <td style="text-align: center;">1199</td> <td></td> </tr> <tr> <td></td> <td style="padding-left: 20px;">254JM/256JM</td> <td></td> <td style="text-align: center;">1199</td> </tr> <tr> <td>P.</td> <td>Spacer (Bracket to Motor)</td> <td style="text-align: center;">N/A</td> <td style="text-align: center;">4055</td> </tr> <tr> <td></td> <td colspan="3">Only rqd for 254/256 JM Motors</td> </tr> <tr> <td>Q.</td> <td>Seal Quench (opt)</td> <td style="text-align: center;">Any Frame</td> <td></td> </tr> <tr> <td></td> <td style="padding-left: 20px;">Lip Seal Plate</td> <td style="text-align: center;">0309-2</td> <td></td> </tr> <tr> <td></td> <td style="padding-left: 20px;">Buna Lip Seal</td> <td style="text-align: center;">0756</td> <td></td> </tr> <tr> <td></td> <td style="padding-left: 20px;">Fluorocarbon Lip Seal</td> <td style="text-align: center;">0757</td> <td></td> </tr> <tr> <td></td> <td style="padding-left: 20px;">PTFE Lip Seal</td> <td style="text-align: center;">0758</td> <td></td> </tr> <tr> <td></td> <td style="padding-left: 20px;">Plate Gasket, PTFE (1 rqd)</td> <td style="text-align: center;">0505</td> <td></td> </tr> <tr> <td></td> <td style="padding-left: 20px;">Plate Bolts (3 rqd)</td> <td style="text-align: center;">0977</td> <td></td> </tr> <tr> <td>R¹.</td> <td>Motor</td> <td style="text-align: center;">Specify P/N</td> <td></td> </tr> <tr> <td>R².</td> <td>Power Frame</td> <td style="text-align: center;">0502</td> <td></td> </tr> </tbody> </table>					<u>143JM-215JM</u>	<u>254/256JM</u>	G.	Impeller lockdown	0978	4050	H.	Lockdown Gasket, PTFE	0245	4060	J.	Impeller for Flanged Volute **				1 x 1½-8 (XJ100)	2621-dia	N/A		1½ x 3-8 (XJ150)	4024-dia	4026-dia		2 x 3 -8 (XJ200)	2628-dia	2625-dia		Impeller for Threaded Volute (opt) **				1 x 1½-8 (JB100)	4022-dia	N/A		1½ x 2-8 (JB150)	4024-dia	4026-dia		2 x 3 -8 (JB200)	4020-dia	4025-dia		** For Double Seal Impellers (add "DS"to Impeller P/N. For Example: 2621DS or 4022DS)			K.	Sleeve Gasket, PTFE	0245	4045	L.	Shaft Sleeve	0127	4040	M.	Impeller Shaft Key	0135	0136	N.	Bracket Bolts (4 rqd)		0595		143-184JM	0588			213JM/215JM	1189		O.	Bracket Bolt Washers (4 rqd)				143-184JM	1137			213JM/215JM	1199			254JM/256JM		1199	P.	Spacer (Bracket to Motor)	N/A	4055		Only rqd for 254/256 JM Motors			Q.	Seal Quench (opt)	Any Frame			Lip Seal Plate	0309-2			Buna Lip Seal	0756			Fluorocarbon Lip Seal	0757			PTFE Lip Seal	0758			Plate Gasket, PTFE (1 rqd)	0505			Plate Bolts (3 rqd)	0977		R ¹ .	Motor	Specify P/N		R ² .	Power Frame	0502	
	<u>143JM-215JM</u>	<u>254/256JM</u>																																																																																																																																				
G.	Impeller lockdown	0978	4050																																																																																																																																			
H.	Lockdown Gasket, PTFE	0245	4060																																																																																																																																			
J.	Impeller for Flanged Volute **																																																																																																																																					
	1 x 1½-8 (XJ100)	2621-dia	N/A																																																																																																																																			
	1½ x 3-8 (XJ150)	4024-dia	4026-dia																																																																																																																																			
	2 x 3 -8 (XJ200)	2628-dia	2625-dia																																																																																																																																			
	Impeller for Threaded Volute (opt) **																																																																																																																																					
	1 x 1½-8 (JB100)	4022-dia	N/A																																																																																																																																			
	1½ x 2-8 (JB150)	4024-dia	4026-dia																																																																																																																																			
	2 x 3 -8 (JB200)	4020-dia	4025-dia																																																																																																																																			
	** For Double Seal Impellers (add "DS"to Impeller P/N. For Example: 2621DS or 4022DS)																																																																																																																																					
K.	Sleeve Gasket, PTFE	0245	4045																																																																																																																																			
L.	Shaft Sleeve	0127	4040																																																																																																																																			
M.	Impeller Shaft Key	0135	0136																																																																																																																																			
N.	Bracket Bolts (4 rqd)		0595																																																																																																																																			
	143-184JM	0588																																																																																																																																				
	213JM/215JM	1189																																																																																																																																				
O.	Bracket Bolt Washers (4 rqd)																																																																																																																																					
	143-184JM	1137																																																																																																																																				
	213JM/215JM	1199																																																																																																																																				
	254JM/256JM		1199																																																																																																																																			
P.	Spacer (Bracket to Motor)	N/A	4055																																																																																																																																			
	Only rqd for 254/256 JM Motors																																																																																																																																					
Q.	Seal Quench (opt)	Any Frame																																																																																																																																				
	Lip Seal Plate	0309-2																																																																																																																																				
	Buna Lip Seal	0756																																																																																																																																				
	Fluorocarbon Lip Seal	0757																																																																																																																																				
	PTFE Lip Seal	0758																																																																																																																																				
	Plate Gasket, PTFE (1 rqd)	0505																																																																																																																																				
	Plate Bolts (3 rqd)	0977																																																																																																																																				
R ¹ .	Motor	Specify P/N																																																																																																																																				
R ² .	Power Frame	0502																																																																																																																																				

XJ/JB Repair Parts Kits

Includes: PTFE Gasket, SS Shaft Sleeve, Sleeve Gasket, Impeller lockdown Gasket, Loctite

P/N 4095 Kit for 143/215JM

P/N 4096 Kit for 254/256JM

Note: Seal/seat must be ordered in addition to repair kit.

Options: 1½" T.21 & T.9 Single & Double

(XJ-JBPR7 Parts 97 8/24/01)

Price® Pump Company

21775 8th Street East ♦ P.O. Box Q ♦ Sonoma, CA 95476-0329 ♦ (707) 938-8441 ♦ Fax (707) 938-0764