

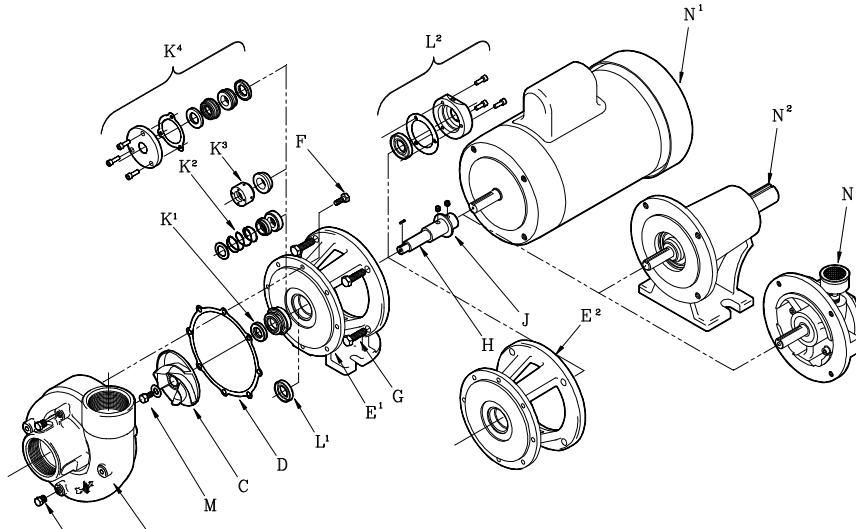


PRICE PUMP CO.



RC PARTS LIST
Keyed Impeller Version

Effective: June 24, 1996



	<u>RC200</u>	<u>RC200/300</u>	<u>RC300</u>
A. Volute	0183		0120
B. 1/8" Pipe Plugs (2 rqd)		0557	
C. Impeller Specify diameter **			
All Iron (Keyed)	4184-dia		4230-dia
CIBF (Keyed)	4128-dia		4119-dia
D. Gasket, Syn Fiber		0506	
E1. Bracket with Foot		2426	
E2. Optional Bracket without Foot		2428	

	<u>RC200/300</u>	<u>RC200/300</u>	
F. Volute Bolts (8 rqd)	0573		
G. Motor Bolts (4 rqd)	0588		
H. Shaft w/ setscrews (56C motor) 5/8" ID (Keyed)	2421-1		
Optional Shaft w/ setscrews 7/8" ID (Keyed) (For 143TC, 145TC, 182C, 184C motors)	2422-1		
J. Slinger (For 5/8" shaft pumps only)	0522		
Seal with Seat:			
K1. T.6A Buna (std)	0538		
K2. T.21 Fluorocarbon (opt)	0553		
K3. T.9 PTFE (opt)	1150		
		K4. Double Seal/Seat (opt):	
		T.21 Fluorocarbon (2 rqd)	0985
		T.21 Neoprene (2 rqd)	0984
		T.21 EPR (2 rqd)	1023
		Double Seal Plate	0973
		Plate Gasket, PTFE	0974
		Seal Plate Cover Bolts (3 rqd)	0256
		L1. T.6A Quench Lip Seal, Fluorocarbon	0899
		L2. T.21 Quench Opt (For 5/8" shaft pumps only)	
		Quench Plate	0308
		Plate Gasket, Syn Fiber	0504
		Plate Bolts (3 rqd)	0267
		Fluorocarbon Lip Seal	0891
		M. Impeller Lockdown	0917
		Impeller Lockdown Key	2424
		Impeller Lockdown Washer	2423
		N1. Motor - Specify P/N	
		Note: For 5 HP 184C or other footed motors, Use Footless Bracket PN 2428	
		N2. Power Frames	
		For use with 5/8" ID Shaft	5478
		For use with 7/8" ID Shaft	5501
		N3. Air Motor - Specify P/N	

** Double seal pumps use double seal impellers, for example 4184DS-dia.

RC Repair Parts Kit

P/N 2204 for 56C 5/8" **Keyed** shaft
P/N 2204-1 for 56C 7/8" **Keyed** shaft
Includes: Gasket Syn. Fiber , Keyed Shaft w/ SS, Slinger
Impeller Lockdown, Impeller Lockdown Washer, Impeller Key
For **Threaded** Repair kits See Threaded Version Parts List
Note: Seal/Seat must be ordered in addition to kit.
5/8" T.6A Buna Seal (std). Options: 5/8" T.21 Single seal and T.21 Double seal. 5/8" Double T.9 not available.

See **RC Threaded Impeller Version Parts List** for RC Pumps ordered before May , 1995, (with **Threaded** impellers).

(RCParts3.doc Book 97)

Price® Pump Company

21775 8th Street East ♦ P.O. Box Q ♦ Sonoma, CA 95476-0329 ♦ (707) 938-8441 ♦ Fax (707) 938-0764