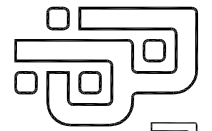


DESCRIPTION  
RC200/300 CLOSE COUPLED MOTOR PUMP ASSY

REF. NO.  
O-RCH

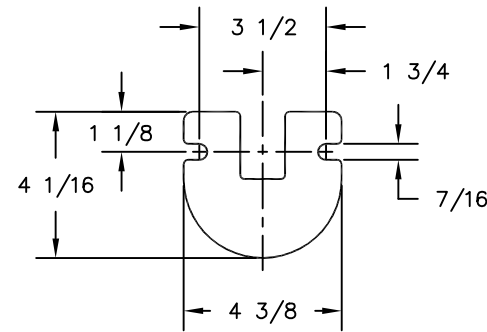
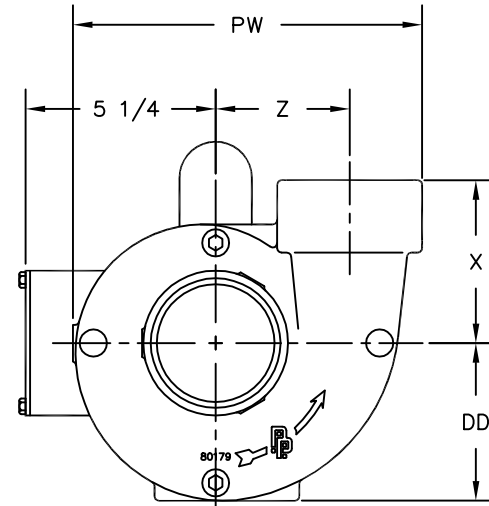
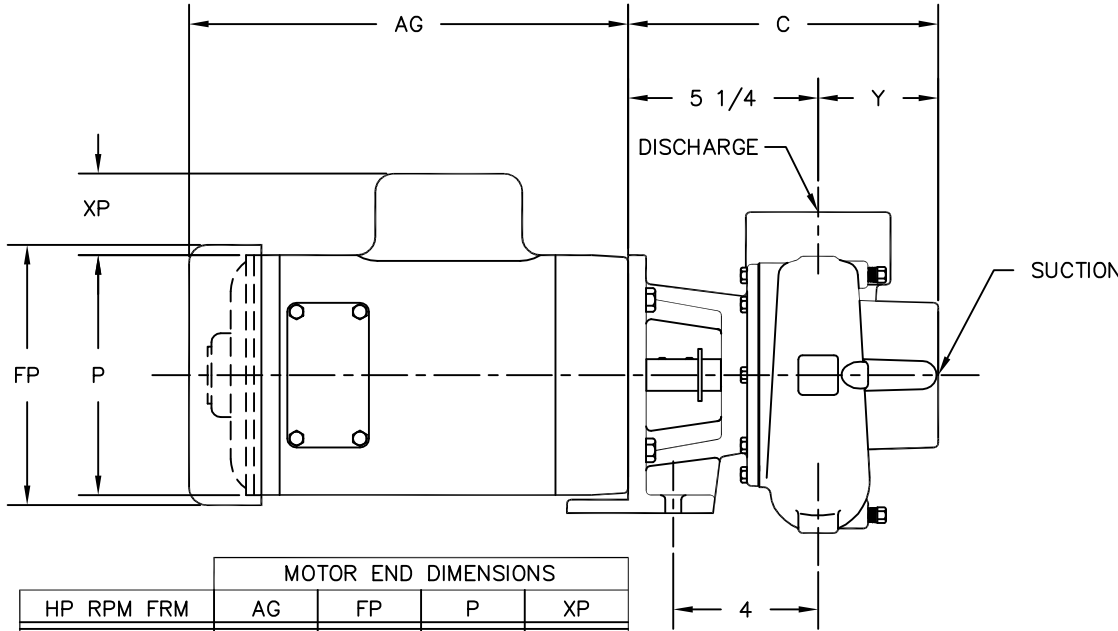
DATE  
2-21-91

REV.  
B



PRICE PUMP CO.

FACTORY FAX TRANSMITTAL DRAWING



HP RPM FRM	MOTOR END DIMENSIONS			
	AG	FP	P	XP
1/4 1800 56C	7 3/4	7 3/16	6 7/8	2 1/16
1/3 1800 56C	8 1/4	7 3/16	6 7/8	2 1/16
1/2 1800 56C	8 3/4	7 3/16	6 7/8	2 1/16
1/3 3600 56C	8 1/2	7 3/16	6 7/8	2 1/16
1/2 3600 56C	8 3/4	7 3/16	6 7/8	2 1/16
3/4 3600 56C	9 1/4	7 3/16	6 7/8	2 1/16
1 3600 56C	9 3/4	7 3/16	6 7/8	2 1/16
1 1/2 3600 56C	10 1/2	7 3/16	6 7/8	2 1/4
2 3600 56C	11 1/8	7 3/16	6 7/8	2 1/4
3 3600 56C	12 3/8	7 3/16	6 7/8	2 1/4
5 3600 184C	13 5/8	8 1/2	7 7/8	2 1/4

NOTE:

- MOTOR DIMENSIONS WILL VARY BY MODEL AND MAKE, DIMENSIONS ARE TO BE USED FOR REFERENCE ONLY.
- FOR ENGINEERING PURPOSES, PUMP RC300 HAS BEEN USED TO CREATE DRAWING.
- ALL DIMENSIONS HAVE BEEN ROUNDED TO THE NEAREST 1/8 INCH

	PUMP END DIMENSIONS							
	C	Y	PW	Z	X	DD	SUCTION	DISCHARGE
RC200	8 1/8	2 7/8	7 1/8	2 1/2	3 3/4	3 1/2	2" NPT	2" NPT
RC300	8 9/16	3 5/16	9 5/8	3 11/16	4 1/2	4 3/8	3" NPT	3" NPT

#1 Pump Way P.O. Box Q  
Sonoma, CA 95476 (707) 938-8441  
707-FAX 938-0764