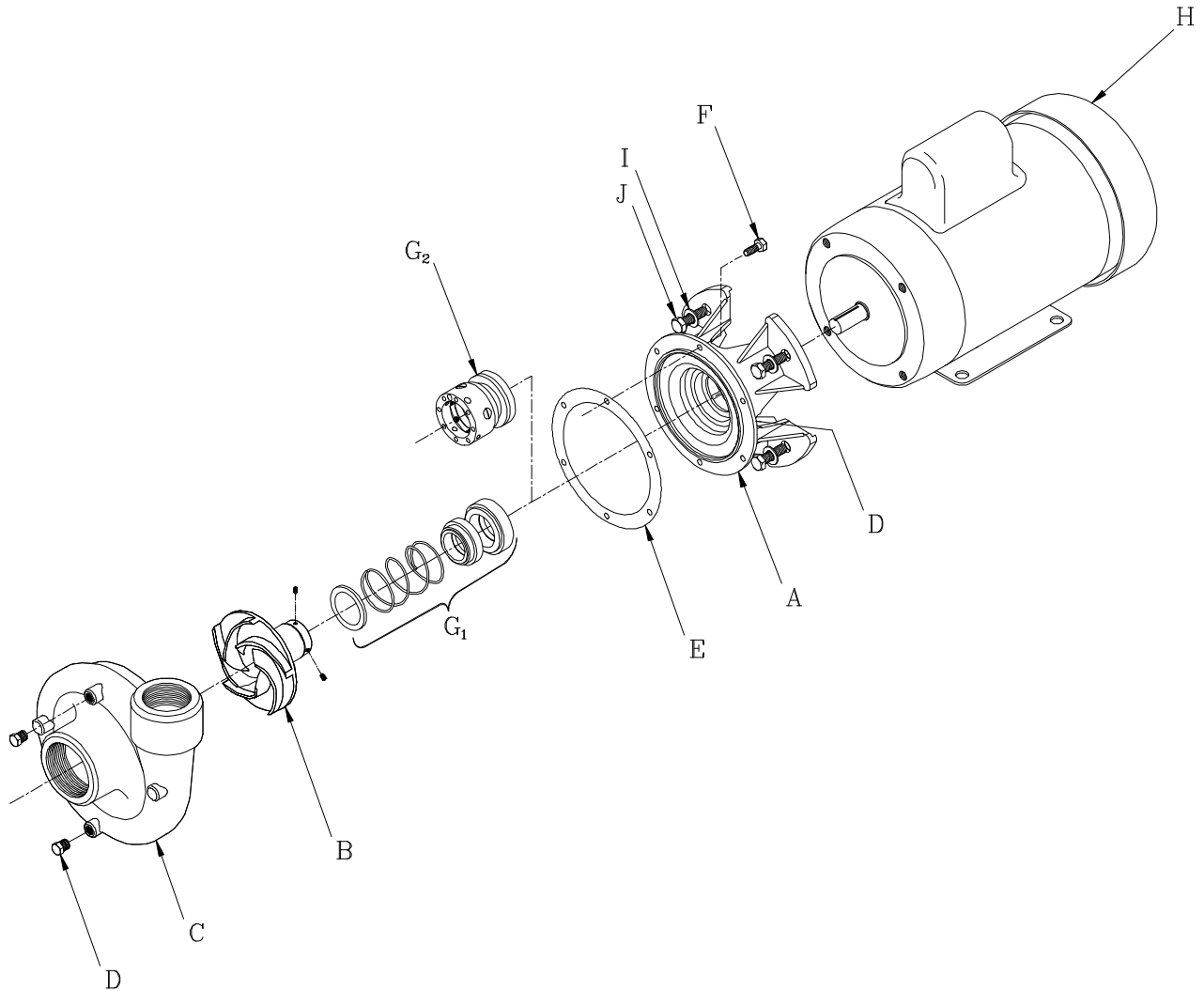


**PRICE® PUMP CO.**

CL150SS Parts List

Effective: November 8, 2001



A.	Bracket	3501	F.	Volute bolt (6 req.)	0917
B.	Impeller w/ Setscrews	3502-dia	G ₁ .	Seal/Seat T.21 Viton (std.)	3516
	Specify diameter		G ₂ .	Seal/Seat T.9 Teflon	3567
C.	Volute	3503	H.	Motor – Specify P/N	
D.	Pipe Plug (3 req.)	0559	I.	Washer (4 req.)	1199
E.	Gasket	3515	J.	Motor bolt (4 req.)	0575

Price® Pump Co.

21775 Eighth Street East * P.O. Box Q * Sonoma, CA 95476-0329 * (707) 938-8441 * Fax (707) 938-0764