

PRICE PUMP CO.

#1 Pump Way P.O. Box Q
 Sonoma, CA 95476 (707) 938-8441
 707-FAX 938-0764

FACTORY FAX TRANSMITTAL DRAWING

REV. C

DATE 01/28/94

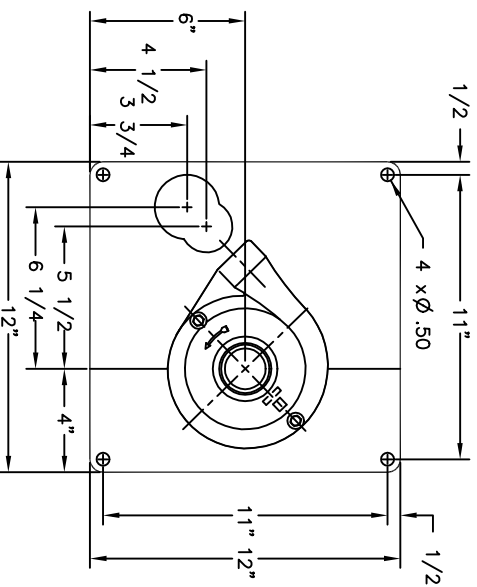
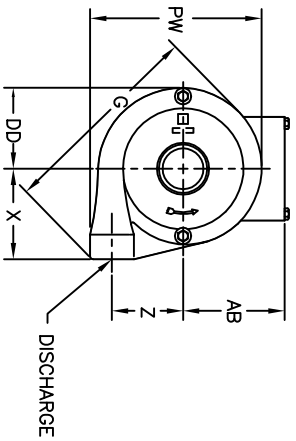
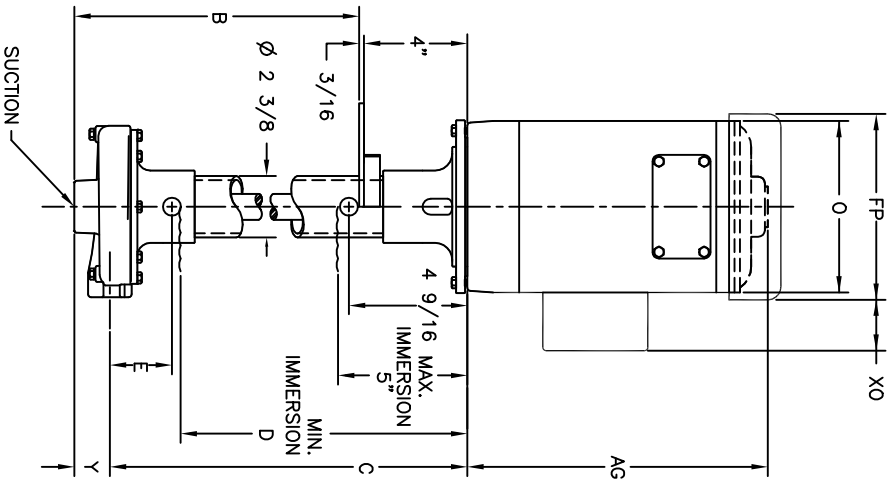
REF. NO. O-CDSSV

DESCRIPTION CD100/150 SS VERTICAL MOTOR PUMP ASSEMBLY

HP RPM FRM	MOTOR END DIMENSIONS				
	AG	FP	O	XO	
1/4 1800 56C	7 3/4	6 1/8	5 3/8	2 1/16	
1/3 1800 56C	8 1/4	6 1/8	5 3/8	2 1/16	
1/2 1800 56C	8 3/4	6 1/8	5 3/8	2 1/16	
1/3 3600 56C	8 1/2	6 1/8	5 3/8	2 1/16	
1/2 3600 56C	8 3/4	6 1/8	5 3/8	2 1/16	
3/4 3600 56C	9 1/4	6 1/8	5 3/8	2 1/16	
1 3600 56C	9 3/4	6 1/8	5 3/8	2 1/16	
1 1/2 3600 56C	10 1/2	7 3/16	6 7/8	2 1/4	
2 3600 56C	11 1/8	7 3/16	6 7/8	2 1/4	
3 3600 56C	12 3/8	7 3/16	6 7/8	2 1/4	
5 3600 184C	13 5/8	8 1/2	7 7/8	2 1/4	

NOTE:
 MOTOR DIMENSIONS WILL VARY BY MODEL AND MAKE;
 DIMENSIONS ARE TO BE USED FOR REFERENCE ONLY.

	COLUMN DIMENSIONS				IMMERSION
	COLUMN	B	C	E	
CD100 SS-V	6.66	4 11/16	7 7/16		4 11/16
	13.00	1 1"	13 3/4		1 1"
	20.00	18"	20 3/4	2	18"
	32.00	30"	32 3/4	5/16	30"
	44.00	42"	44 3/4		42"
CD150 SS-V	6.66	5 3/4	7 3/4		5 1/2
	13.00	11 9/16	14 1/16	2	1 1"
	20.00	18 9/16	21 1/16	11/16	18"
	32.00	30 9/16	33 1/16		30"
	44.00	42 9/16	45 1/16		42"



	PUMP END DIMENSIONS							
	G	DD	PW	X	Y	Z	SUCTION	DISCHG
CD100 SS	8 1/8	3 1/8	6 5/8	3 1/2	1 3/8	2 3/4	1 1/4	1"
CD150 SS	9 7/16	4 1/16	7 15/16	3 13/16	2 1/8	3 1/16	2"	1 1/2

NOTE:
 1. CD100 SS PUMP USED TO MAKE OUTLINE DRAWING.
 2. ALL DIMENSIONS HAVE BEEN ROUNDED TO THE NEAREST 1/8 INCH.