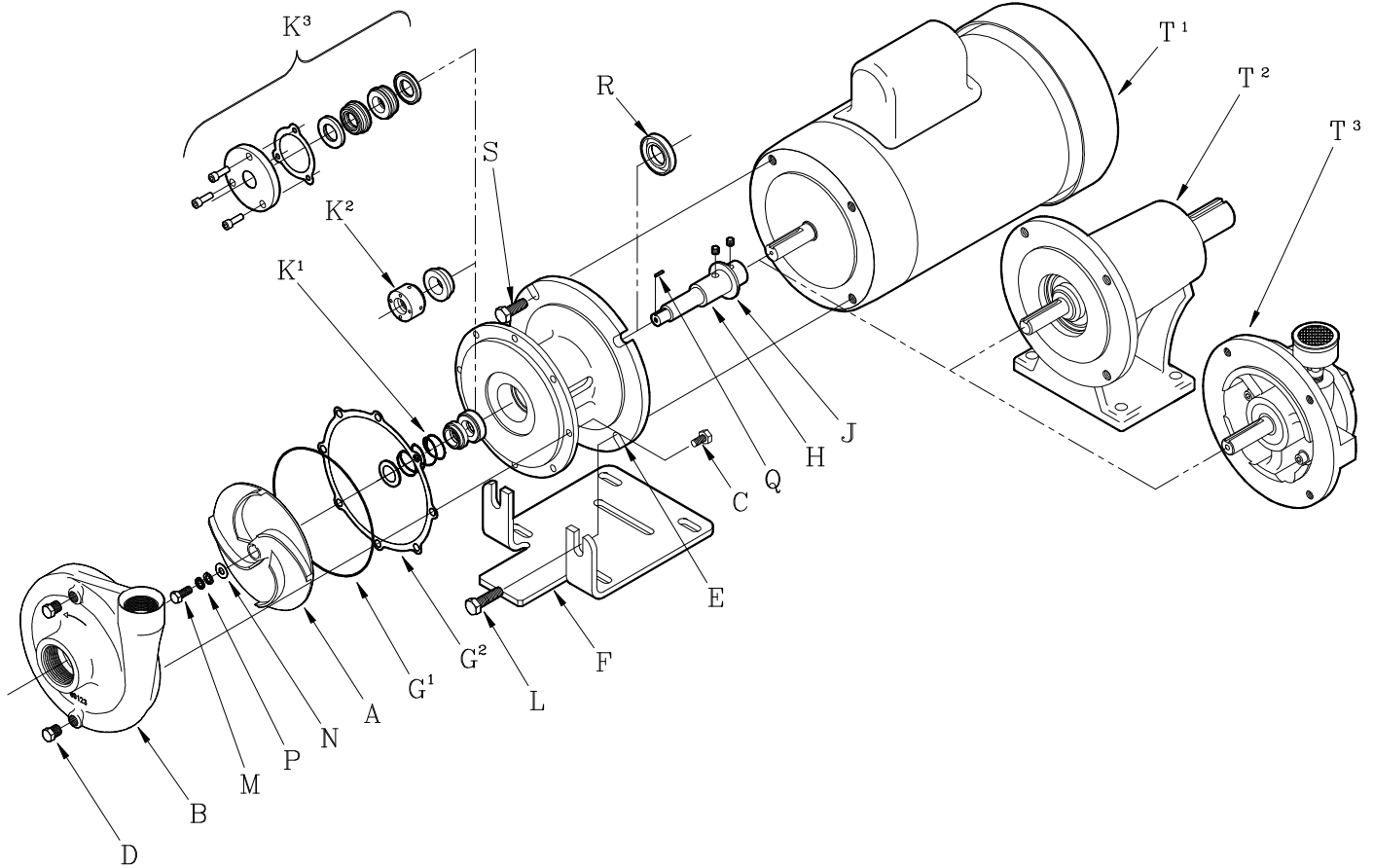
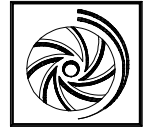




**PRICE PUMP CO.**

**CD SS Parts List**  
Effective: June 17, 1997



	<u>CD100SS</u>	<u>★CD150SS</u>		<u>CD100SS</u>	<u>★CD150SS</u>
A. Impeller **					
Part No.-diameter	2448-4.94	2412-4.94	G <sup>1</sup> . O-ring (for Volute Flange)		
	2448-4.50	2412-4.50	Fluorocarbon (std)	Material same as seal	3070
	2448-4.25	2412-4.25	Buna	“	3074
	2448-4.00	2412-4.00	PTFE	“	3071
	2448-3.62	2412-3.62	Neoprene	“	3072
B. Volute	0247	2411-0	EPR	“	3073
C. Volute Bolts	0917 (8 rqd)	0917 (8 rqd)	G <sup>2</sup> . Gasket, PTFE		
D. 1/8" Pipe Plugs (2 rqd)	0559	0559	(for CD100SS Only)	0507	
E. Bracket	0972	0972			
F. Base Plate	0199	0199			

\*\*For Double Seal Impellers (add "DS" to Impeller P/N For Example: 2448DS)

★ These Models Use an O-Ring Volute Flange Gasket (G<sup>1</sup>)

Continued

**Price® Pump Company**

21775 8th Street East ♦ P.O. Box Q ♦ Sonoma, CA 95476-0329 ♦ (707) 938-8441 ♦ Fax (707) 938-0764

## CD SS Parts List

Continued

	<u>Part No. All Models</u>		<u>Part No. All Models</u>
H. Shaft w/ setscrews w/ 5/8" ID	2421-1	L. Motor Bolts (2 Rqd)	0673
Shaft w/ setscrews w/ 7/8" ID	2422-1	M. * Impeller Lockdown Bolt	0575
J. Slinger	0522	N. Impeller Flat Washer	2423
Seal with Seat		P. * Impeller Lockwashers (2 rqd)	2344
K <sup>1</sup> . T.21 Fluorocarbon (std)	0553	Q. Impeller Lockdown Key	2424
K <sup>2</sup> . T.9 Single PTFE (opt)	1150	R. Fluorocarbon Quench Lip Seal (for 5/8" ID Shaft Pumps only)	0891
K <sup>3</sup> . Double Seal/Seat (opt)		S. Motor Bolts (2 Rqd)	0593
T.21 Fluorocarbon (2 rqd)	0985	T <sup>1</sup> . Motor - Specify P/N	
T.21 Neoprene (2 rqd)	0984	T <sup>2</sup> . Power Frames	
T.21 EPR (2 rqd)	1023	For Use with 5/8" ID Shafts	5478
Double Seal Plate	0973	For Use with 7/8" ID Shafts	5501
Plate Gasket, PTFE	0974	T <sup>3</sup> . Air Motor - Specify P/N	
Plate Bolts (3 rqd)	0256	* New Lockdown Assembly Parts Used After 1/10/97	

### CD SS Repair Parts Kit

**P/N 2205** For 5/8" shaft pumps Includes: 5/8" Shaft w/ SS, Slinger, Impeller Lockdown Bolt, Impeller Lockwashers (2), and Impeller Lockdown Key. **Must Select Gasket or O-ring Separately**

**P/N 2205-1** For 7/8" shaft pumps Includes: 7/8" Shaft w/ SS, Slinger, Impeller Lockdown Bolt, Impeller Lockwashers (2), and Impeller Lockdown Key. **Must Select Gasket or O-ring Separately**

**Note: Specify O-ring or Gasket P/N and order separately in addition to kit.**

Fluorocarbon (std)	P/N 3070
Buna	P/N 3074
PTFE	P/N 3071
Neoprene	P/N 3072
EPR	P/N 3073
Gasket, PTFE (CD100SS pumps only)	P/N 0507

**Note: Seal/Seat must be ordered in addition to kit.**

5/8" T.21 Fluorocarbon Seal (std). Options: 5/8" T.9 Single and T.21 Double seal.

**5/8" Double T.9 not available**