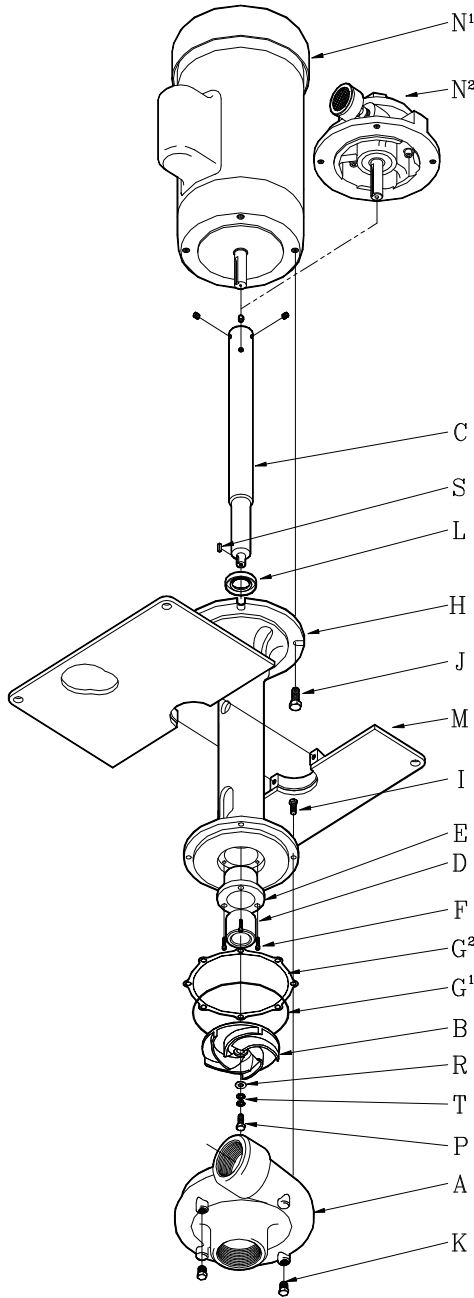
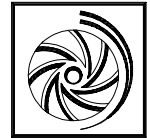




PRICE PUMP CO.

CD (AI, CIBF) VERTICAL PARTS LIST

Effective: June 17, 1997



	CD100VAI	CD150VAI
	<u>Part No.</u>	<u>Part No.</u>
A. Volute	2401	2407-0
B. Impeller (for All Iron Pumps)	2402V-dia.	2408V-dia.
Impeller (for CIBF Pumps)	2404V-dia.	2410V-dia.
C. 5/8" ID Shaft w/Setscrews 6 1/2" SS	2430-1	2430-1
13" SS	2431-1	2431-1
20" SS	2432-1	2432-1
32" SS	2433-1	2433-1
44" SS	2434-1	2434-1
7/8" ID Shaft w/Setscrews 6 1/2" SS	2435-1	2435-1
13" SS	2436-1	2436-1
20" SS	2437-1	2437-1
32" SS	2438-1	2438-1
44" SS	2439-1	2439-1
Shafts Include: 1 Half Dog Setscrew	0566	0566
3 Cup Point Setscrews	0680	0680
D. Bushing Graphite (std)	0676	0676
Glass Filled PTFE (opt)	1135	1135
* Silicon Carbide (opt)	0616	0616
Bushing plate for silicon carbide	0747ASC	0747ASC
SS Pin for **GF PTFE & silicon carbide (1 rqd)	0727	0727
E. Bushing Plate	0747	0747
F. Bushing Plate Screws (3 rqd)	0256	0256
G ¹ . O-Rings (for Volute Flange) Buna (std)	N/A	3074
Fluorocarbon	N/A	3070
PTFE	N/A	3071
Neoprene	N/A	3072
EPR	N/A	3073
G ² . Gasket, Syn. Fiber, CD100AI only	0506	N/A
H. Column Assembly		
13" CI (No bushing, Labyrinth design)	0395-4	0395-8
6 1/2" SS	0468	0468
13" SS	0467	0467
20" SS	0466	0466
32" SS	0472	0472
44" SS	0469	0469
I. Volute Bolts	0376 (4 rqd)	0376 (8 rqd)
J. Motor Bolts (4 rqd)	0592	0592
K. 1/8" Pipe plugs (2 rqd)	0559	0559
L. Fume Barrier (opt) Fluorocarbon for 5/8" ID shaft	0875	0875
Fluorocarbon for 7/8" ID shaft	0877	0877
PTFE for 5/8" ID Shaft	0876	0876
PTFE for 7/8" ID Shaft	0878	0878
M. Plate Assembly (opt) 12 x 12 Sq. Steel	0903	0903
12 x 12 Sq. Stainless	0904	0904
N ¹ . Motor - Specify P/N		
N ² . Air Motor - Specify P/N		
P. Impeller Lockdown Bolt	0575	0575
R. Impeller Lockdown Washer	2423	2423
S. Impeller Lockdown Key	2424	2424
T. Impeller Lockwashers (2 Rqd)	2344	2344

* **Note:** If using an optional silicon carbide bushing the shaft must be tungsten coated - Contact factory

SS = Stainless Steel
 ** GF PTFE = Glass Filled PTFE

(CDVAI4.doc Parts 97)

Price® Pump Company

21775 8th Street East ♦ P.O. Box Q ♦ Sonoma, CA 95476-0329 ♦ (707) 938-8441 ♦ Fax (707) 938-0764