

Technical Data Sheet

MSWV 2 & 4



MSWV 2

Flow Rate: Up to 18 GPM

Head: Up to 290 Feet

Discharge Size:

- 3/4" NPT

Materials of Construction:

- 304 Stainless Steel, Cast Iron/304 Stainless

Standard Motor:

- IP54 (TEFC), 3-Phase 230/460 Volts

Standard Mechanical Seal:

- HNBR, Tungsten Carbide vs. Tungsten Carbide (Viton optional)

Operating Conditions:

- Ambient Temp: Up to 104°F (40°C)
- Liquid Temp Range: 32°F to 194°F (0°C to 90°C)
- Max Operating Pressure: 142 PSI (10kg/cm²)
- Max Inlet Pressure: 85 PSI (5.97kg/cm²)

Applications:

- Deionized water, Ultra-filtration, Laser cooling, Reverse osmosis, Recirculating, Chemical processing, Sump pumping, Water treatment, Chillers, Metal etching, Coolant delivery, Acid transfer and many more...

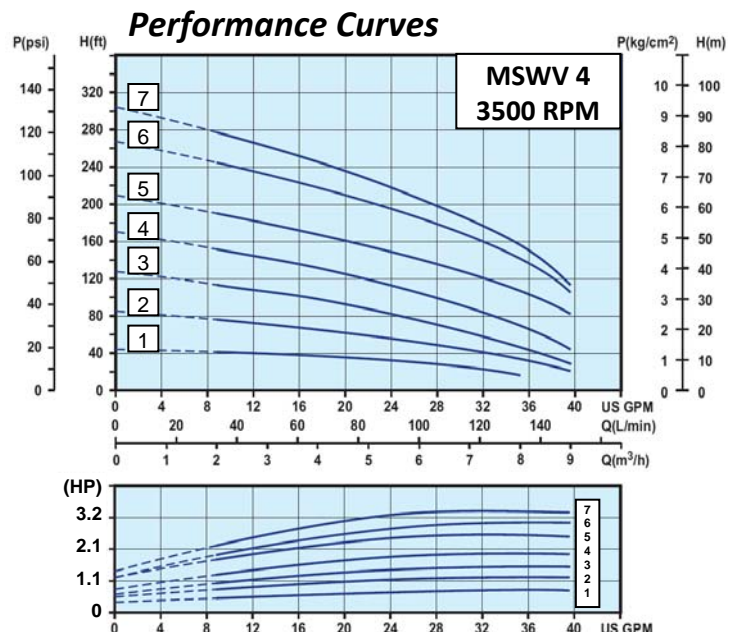
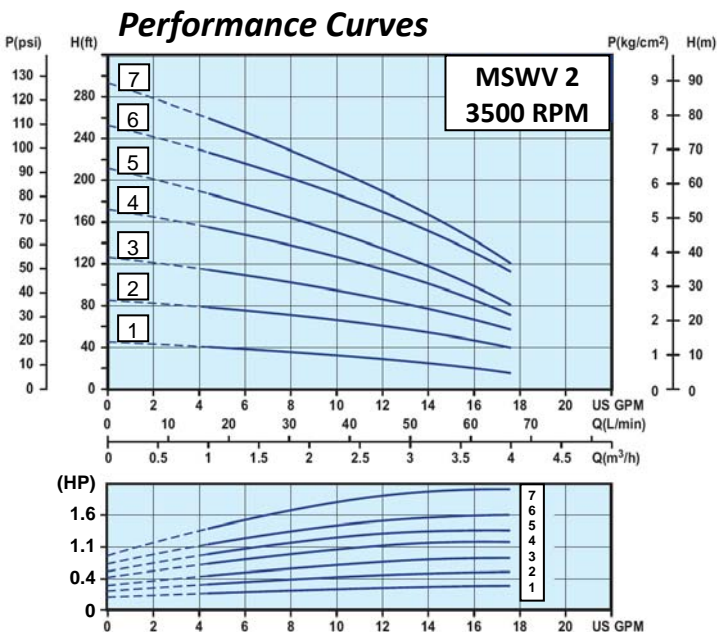
MSWV 4

Flow Rate: Up to 40 GPM

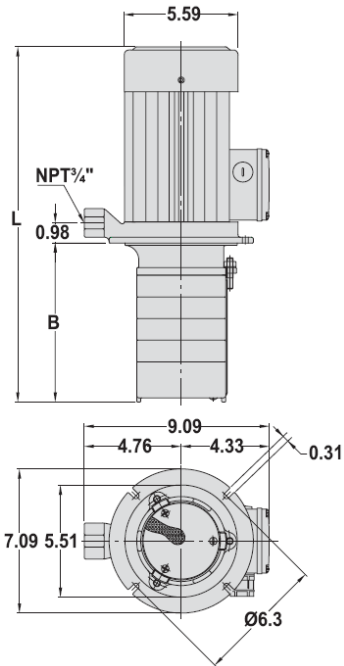
Head: Up to 300 Feet

Discharge Size:

- 3/4" NPT



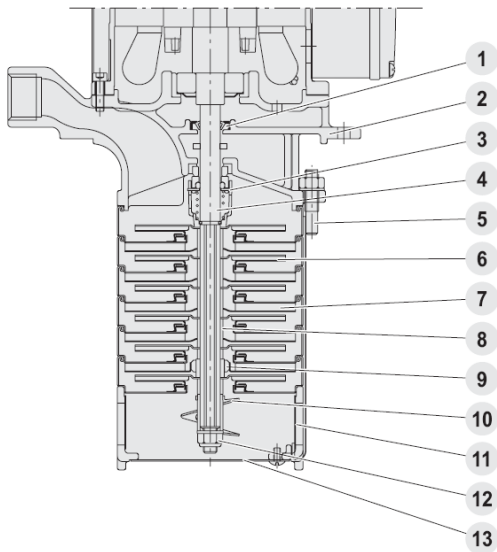
Dimensions and Weights (MSWV 2 & 4)



MSWV 2	B (in.)	L (in.)	N.W.(lbs)
2MSWV-3-2-XXX-3	5.71	13.78	24.0
2MSWV-8-2-XXX-3	9.25	17.32	26.2
2MSWV-3-2-XXX-3	5.71	13.78	24.5
2MSWV-5-2-XXX-3	7.13	15.20	25.4
2MSWV-9-2-XXX-3	9.96	18.03	27.1
3MSWV-3-2-XXX-3	5.71	13.78	24.7
3MSWV-4-2-XXX-3	6.42	14.49	25.1
3MSWV-5-2-XXX-3	7.13	15.20	25.6
3MSWV-6-2-XXX-3	7.83	15.91	26.0
3MSWV-8-2-XXX-3	9.25	17.32	26.9
3MSWV-11-2-XXX-3	11.38	19.45	27.8
4MSWV-4-2-XXX-3	6.42	14.49	25.4
4MSWV-6-2-XXX-3	7.83	15.91	26.2
5MSWV-5-2-XXX-3	7.13	16.77	28.0
5MSWV-6-2-XXX-3	7.83	17.48	29.3
6MSWV-6-2-XXX-3	7.83	17.80	29.8
6MSWV-8-2-XXX-3	9.25	19.21	30.6
6MSWV-9-2-XXX-3	9.96	19.92	31.1
6MSWV-10-2-XXX-3	10.67	20.63	31.3
6MSWV-11-2-XXX-3	11.38	21.34	31.7
7MSWV-7-2-XXX-3	8.54	18.50	28.7

MSWV 4	B (in.)	L (in.)	N.W.(lbs)
1MSWV-2-4-XXX-3	5.71	13.78	23.8
1MSWV-3-4-XXX-3	6.77	14.84	24.7
2MSWV-2-4-XXX-3	5.71	13.78	24.3
2MSWV-3-4-XXX-3	6.77	14.84	24.7
2MSWV-4-4-XXX-3	7.83	15.91	25.1
2MSWV-6-4-XXX-3	9.96	18.03	25.6
3MSWV-3-4-XXX-3	6.77	16.42	25.8
3MSWV-4-4-XXX-3	7.83	17.48	26.2
3MSWV-5-4-XXX-3	8.90	18.54	26.7
3MSWV-6-4-XXX-3	9.96	19.61	27.1
3MSWV-8-4-XXX-3	12.09	21.73	28.0
4MSWV-4-4-XXX-3	7.83	17.48	29.3
4MSWV-5-4-XXX-3	8.90	18.54	29.8
4MSWV-6-4-XXX-3	9.96	19.61	30.2
5MSWV-5-4-XXX-3	8.90	18.54	30.6
5MSWV-8-4-XXX-3	12.09	21.73	32.0
6MSWV-6-4-XXX-3	9.96	19.92	31.1
6MSWV-8-4-XXX-3	12.09	22.05	32.2
7MSWV-7-4-XXX-3	11.02	20.98	32.2
7MSWV-8-4-XXX-3	12.09	22.05	32.6

Sectional Drawing



NO.	Part name	Material
1	Oil Seal	NBR
2	Pump Casing	Cast Iron 304 SS
3	Mechanical Seal	HNBR, Ti Carb vs. Ti Carb - standard Viton, Ti carb vs. Ti Carb - optional
4	Shaft	304 SS
5	Strap	304 SS
6	Impeller	304 SS
7	Intermediate chamber	304 SS
8	Sleeve	304 SS
9	Bearing	Tungsten Carbide
10	Priming screw	304 SS
11	Suction interconnector	304 SS
12	Lock Nut	316 SS
13	Filter	304 SS



21775 Eighth Street East,
Sonoma, CA 95476-0329
MAIN (707) 938-8441
TOLL FREE (800) 345-PUMP (7867)
FAX (707) 938-0764
www.pricepump.com
E-mail: sales@pricepump.com

