



Features

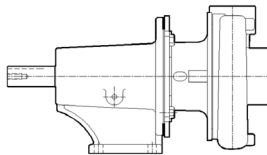
- **Pump Design** – Compact, close coupled
- **Teflon Seal** – Type 9 available
- **Flush Options** – External recirculating

Applications

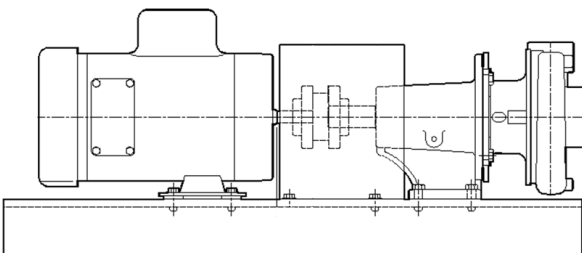
- Reverse Osmosis
- Caustics
- Deionized Water Processing
- Filter Systems
- Glycols
- Alkalis
- Acids
- Washers

Optional Configurations

- **Power Frame Mounting:**



- **Long-Coupled Mounting:**



CL150 (1-3/4" Seal)

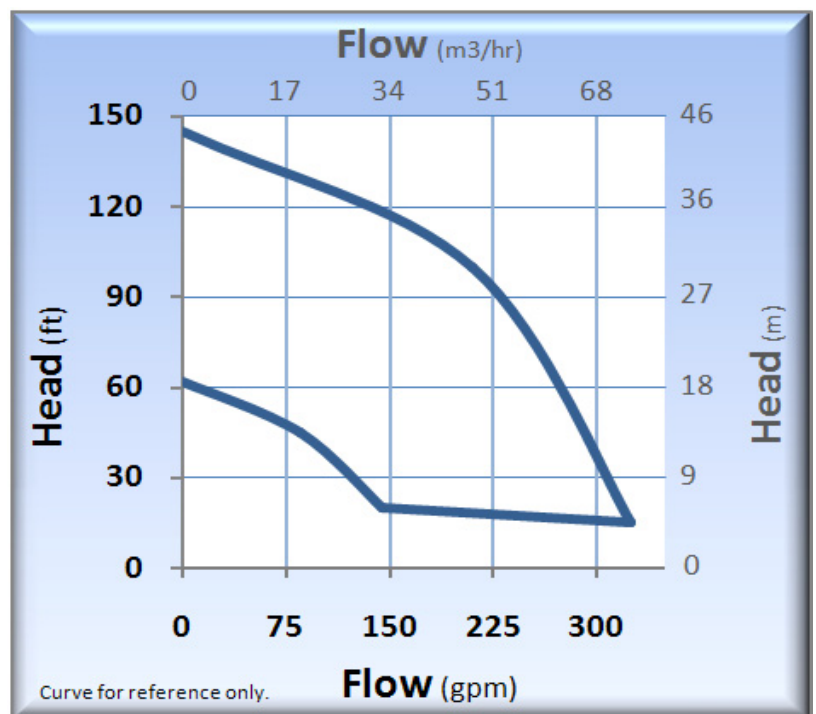
Pump Volute / Impeller Materials

CL150 (SS) – 316SS / 316SS

Standard Specifications

- Discharge 1-1/2" FNPT, Suction 2" FNPT
- Maximum Impeller Diameter: 5.76"
- Motor: NEMA 182/184TC Footed (Multiple enclosures available)
- Mechanical Seal:
 - Single, 1-3/4" Type 21 Viton, Carbon vs. Ceramic
 - Note: Additional seal options available*
- Bracket Material: 316SS
- O-ring: Viton(std); Buna and Neoprene optional

Performance Curve – 60 Hz



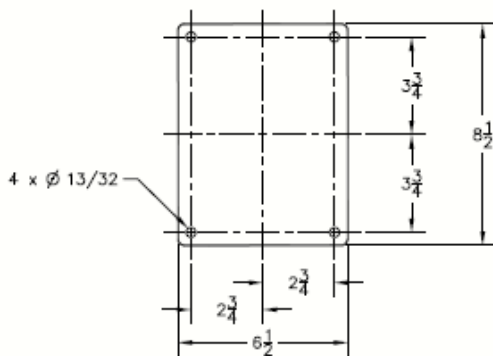
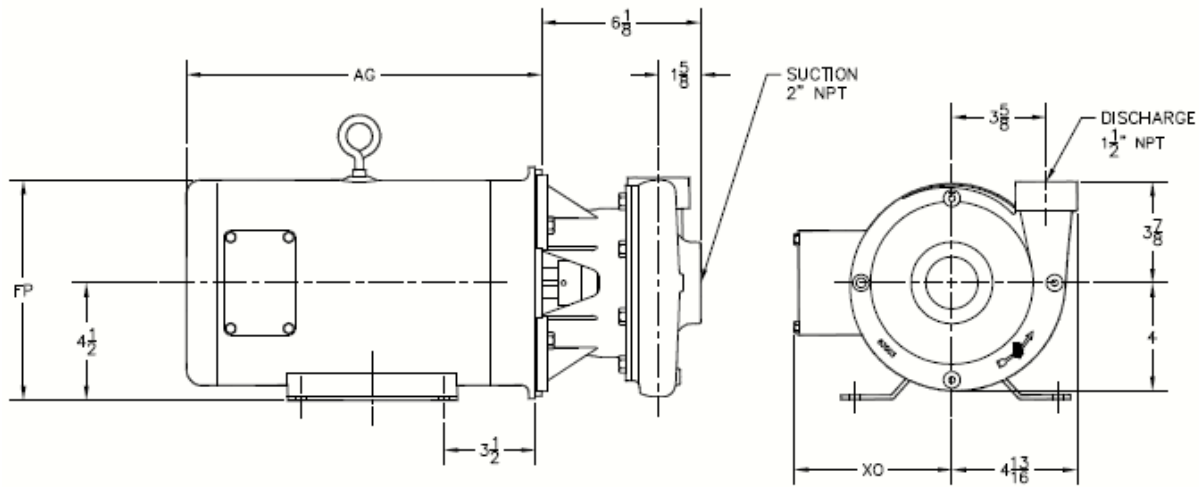
CL150 (1-3/4" Seal)

Technical Information	
Max Flow	325 GPM (73.8 m3/hr)
Max Head	145 feet (44 m)
Min. Flow	40 GPM (9.1 m3/hr)
Max Solid Size	0.150" (3.81 mm)
Max Working Pressure	(Type 9 Seal) 350 PSI (24.1 bar)
	(Type 21 Seal) 150 PSI (10.3 bar)
Max Temp.	300°F (121°C)*

Materials of Construction	
CL150	SS
Volute	316 Stainless Steel
Impeller	316 Stainless Steel
Bracket	316 Stainless Steel
O-ring	Viton (Buna, Neoprene optional)
Fasteners	316 Stainless Steel

* Temperature limits are based on standard seal and gasket materials, and will vary according to the liquid being pumped.

Dimensions (CL150_182/184TC)



MOTOR END DIMENSIONS					
HP	RPM	FRM	AG	FP	XO
3	3600	182TC	12 5/16	7 3/16	5 1/4
5	3600	184TC	13 5/8	8 1/2	6
7.5	3600	184TC	15 3/16	8 1/2	6

NOTE:

ALL DIMENSIONS HAVE BEEN ROUNDED OFF TO THE NEAREST 1/16".

PRICE PUMP CO.

21775 Eighth Street East
 Sonoma, CA 95476-0329
 MAIN (707) 938-8441
 TOLL FREE (800) 345-7867
 FAX (707) 938-0764
 E-mail: sales@pricepump.com
 Website: www.pricepump.com

Contact factory for special pump configurations,
 same day, and next day delivery options.

Member of:
Hydraulic INSTITUTE



TDS CL150_182/184TC Rev. B