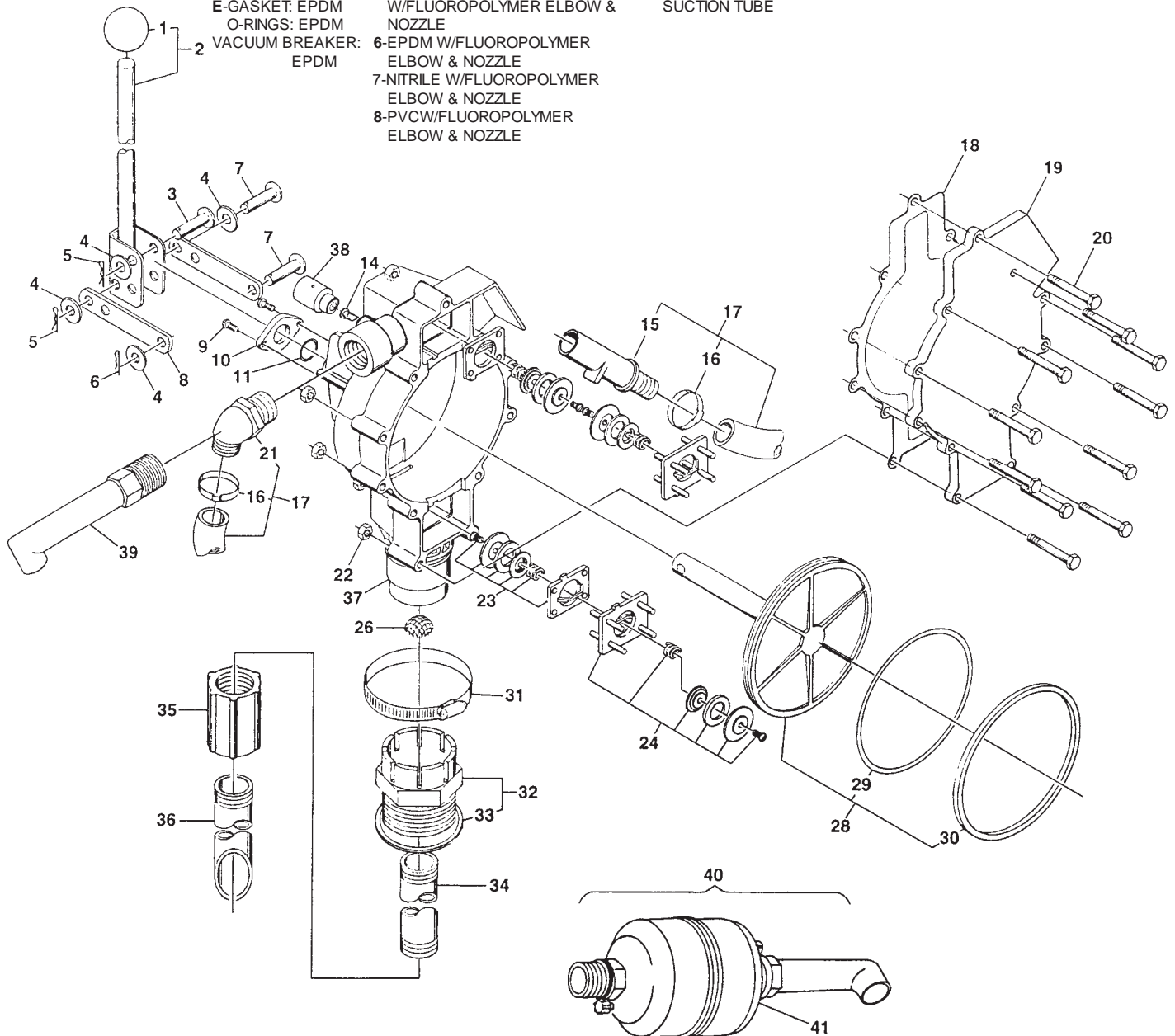


HAND DISPENSING PUMP SERIES "HP"

Parts List
PP-9990F
Nov. 1995

The model numbering system for the Hand Pump is made up of 7 digits, each of which tells something about how the pumps are built. The following chart explains each digit.

1ST DIGIT SERIES	2ND DIGIT HOUSING MATERIAL	3RD DIGIT ELASTOMERS	4TH DIGIT DISCHARGE HOSE	5TH DIGIT SUCTION TUBE	6TH DIGIT DISCHARGE SPOUT	7TH DIGIT BUTTRESS BUNG ADAPTER
H	P -POLYESTER R -RYTON H -FLUOROPOLYMER	V -GASKET: VITON O -RINGS: VITON VACUUM BREAKER: VITON N -GASKET: CORK/ NITRILE O -RINGS: VITON VACUUM BREAKER: VITON E -GASKET: EPDM O -RINGS: EPDM VACUUM BREAKER: EPDM	1 -EPDM W/POLYESTER ELBOW & NOZZLE 2 -NITRILE W/POLYESTER ELBOW & NOZZLE 3 -PVC (BLACK) W/POLYESTER ELBOW & NOZZLE 4 -CROSS LINKED POLYETHYLENE W/POLYESTER ELBOW & NOZZLE 5 -CORSS LINKED POLYETHYLEN W/FLUOROPOLYMER ELBOW & NOZZLE 6 -EPDM W/FLUOROPOLYMER ELBOW & NOZZLE 7 -NITRILE W/FLUOROPOLYMER ELBOW & NOZZLE 8 -PVCW/FLUOROPOLYMER ELBOW & NOZZLE	A -POLYESTER SUCTION TUBE B -TEFLON SUCTION TUBE W/FLUOROPOLYMER COUPLING C -UHMW-PE SUCTION TUBE W/FLUOROPOLYMER COUPLING D -PVC FLEXIBLE SUCTION TUBE	M - POLYESTER DISCHARGE SPOUT N - FLUOROPOLYMER DISCHARGE SPOUT	R -POLYPROPYLENE/ POLYESTER ASSY. FOR HP PUMP S -POLYPROPYLENE/ FLUOROPOLYMER ASSY. FOR HR PUMP T -POLYPROPYLENE/ FLUOROPOLYMER ASSY. FOR HH PUMP



'HP' PUMP PARTS LIST

PP-9990F

ITEM	PART NO.	DESCRIPTION	QTY.	ITEM	PART NO.	DESCRIPTION	QTY.
1	58-1049 40	KNOB, Polypropylene	1	29*	58-1029 72	O-RING, Piston, EPDM	1
2	58-1050 01	HANDLE, Assembly, includes item 1	1		58-1029 73	O-RING, Piston, VITON	1
3	58-1053	PIN, Clevis, 5/16" x 1-1/8", Plated Steel	1	30	58-1028 90	RING, Piston, Teflon, for Polyester Pumps	1
4	58-1380 90	WASHER, Flat, Nylon	4		58-2024 90	RING, Piston, Teflon, for Ryton and Fluoropolymer Pumps	1
5	58-1379	CLIP, Hairpin, Plated Steel, Small	2	31	58-1056 10	CLAMP, Bung Adapter, Stainless Steel	1
6	58-1027	Clip, Hairpin, Plated Steel, Large	1	32*	58-1043 01	ADAPTER, Bung Assembly, Polyester with Cork-Nitrile Gasket	1
7	58-1031	PIN, Clevis, 5/16" x 1-1/4", Plated Steel	2		58-1201 91	ADAPTER, Bung Assembly, Fluoropolymer with BUNA-N O-ring	1
8	58-1052	LINK, Plated Steel	2		58-1201 92	ADAPTER, Bung Assembly, Fluoropolymer with EPDM O-ring	1
9	58-1348 10	SCREW, #10-14 x 3/4", Stainless Steel	2		58-1201 93	ADAPTER, Bung Assembly, Fluoropolymer with VITON O-ring	1
10	58-1032 30	PLATE, Retaining, Polyester, Black	1		58-0031P	ADAPTER, Buttress/Bung Assembly, Polypropylene/Polyester, 2" Buttress x 2" NPT for HP Pumps	1
	58-1032 90	PLATE, Retaining, Fluoropolymer, White	1		58-0031R	ADAPTER, Buttress/Bung Assembly, Polypropylene/Fluoropolymer, 2" Buttress x 2" NPT for HR Pumps	1
11*	58-1030 72	O-RING, Piston Rod, EPDM	1		58-0031H	ADAPTER, Buttress/Bung Assembly, Polypropylene/Fluoropolymer, 2" Buttress x 2" NPT for HH Pumps	1
	58-1030 73	O-RING, Piston Rod, VITON	1	33*	58-1381 90	GASKET, Bung Adapter, Cork-Nitrile	1
14*	58-1040 72	VACUUM BREAKER, EPDM, Black	1		58-1822 71	O-RING, Bung Adapter, BUNA-N	1
	58-1040 73	VACUUM BREAKER, VITON, Green	1		58-1822 72	O-RING, Bung Adapter, EPDM	1
15	58-1325 30	NOZZLE, No-lead, Polyester, Black	1		58-1822 73	O-RING, Bung Adapter, VITON	1
	58-1325 90	NOZZLE, No-lead, Fluoropolymer, White	1	34	58-1007 30	TUBE, Extension, 16-1/2" Long, Polyester	1
16	58-1044 12	CLAMP, Hose, Crimped, Stainless Steel	2		58-1007 50	TUBE, Extension, 16-1/2" Long, UHMW-PE	1
17	58-1342 02	HOSE, Discharge Assembly, Black PVC with Polyester Nozzle and Fitting	1		58-1007 90	TUBE, Extension, 16-1/2" Long, Teflon	1
	58-1342 92	HOSE, Discharge Assembly, Black PVC with Fluoropolymer Nozzle and Fitting	1	35	58-1055 30	COUPLING, 1" NPT, Polyester, Black	1
	58-1342 04	HOSE, Discharge Assembly, Black Nitrile with Polyester Nozzle and Fitting	1		58-1055 90	COUPLING, 1" NPT, Fluoropolymer, White	1
	58-1342 94	HOSE, Discharge Assembly, Black Nitrile with Fluoropolymer Nozzle and Fitting	1	36	58-1045 30	TUBE, Suction, 16-1/2" Long (for 55 Gal. Drum) Polyester	1
	58-1342 05	HOSE, Discharge Assembly, Red EPDM with Polyester Nozzle and Fitting	1		58-1045 50	TUBE, Suction, 16-1/2" Long (for 55 Gal. Drum) UHMW-PE	1
	58-1342 95	HOSE, Discharge Assembly, Red EPDM with Fluoropolymer Nozzle and Fitting	1		58-1045 90	TUBE, Suction, 16-1/2" Long (for 55 Gal. Drum) Teflon	1
	58-1342 07	HOSE, Discharge Assembly, Cross-linked Polyethylene with Polyester Nozzle and Fitting	1	37	58-2029 30	TUBE, Suction, 10-1/4" Long (for 30 Gal. Drum) Polyester	1
	58-1342 97	HOSE, Discharge Assembly, Cross-linked Polyethylene with Fluoropolymer Nozzle and Fitting	1		58-0069	TUBE, Suction Flexible, 35" Long, PVC (not shown)	1
18*	58-1204 72	GASKET, Coverplate, EPDM, Black	1	38	58-1022 30A	HOUSING, Polyester, Red	1
	58-1204 73	GASKET, Coverplate, VITON, Brown	1		58-1022 60	HOUSING, Ryton, Black	1
	58-1204 90	GASKET, Coverplate, Cork-Nitrile	1		58-1022 90	HOUSING, Fluoropolymer, White	1
19	58-1209 30A	COVERPLATE, Polyester, Red	1	39	58-2022 30	PLUG, Vent, Polyester, Black	1
	58-1209 60	COVERPLATE, Ryton, Black	1		58-2022 90	PLUG, Vent, Fluoropolymer, White	1
	58-1209 90	COVERPLATE, Fluoropolymer, White	1	40	58-2020 30	SPOUT, Polyester, Black	1
20	58-1206	SCREW, 1/4-20 x 2", Slotted Hex Washer Head, Plated Steel	11		58-2020 90	SPOUT, Fluoropolymer, White	1
	58-1206 10	SCREW, 1/4-20 x 2", Slotted Hex Washer Head, Stainless Steel	11	41	59-0011	POLYPROPYLENE FILTER CAPSULE, 1.0 Nominal, Fluoropolymer Adapter and Spout	1
21	58-1214 30	ADAPTER, Hose, Polyester, Black 3/4" MNPT x 3/4" Hose Barb, 60° Elbow	1		59-0013	POLYPROPYLENE FILTER CAPSULE, 2.0 Nominal, Fluoropolymer Adapter and Spout	1
	58-1214 90	ADAPTER, Hose, Fluoropolymer, White 3/4" MNPT x 3/4" Hose Barb, 60° Elbow	1	42	59-0012	REPLACEMENT FILTER CAPSULE, 1.0 Nominal	1
22	58-0721	NUT, Hex, 1/4-20, Plated Steel	11		59-0014	REPLACEMENT FILTER CAPSULE, 2.0 Nominal	1
	58-0721 10	NUT, Hex, 1/4-20, Stainless Steel	11				
23*	58-1340 02	VALVE ASSEMBLY, Small, Polyester, EPDM	2				
	58-1340 02H	VALVE ASSEMBLY, Small, Polyester, EPDM, Hastelloy Spring	2				
	58-1340 03	VALVE ASSEMBLY, Small, Polyester, VITON	2				
	58-1340 03H	VALVE ASSEMBLY, Small, Polyester, VITON, Hastelloy Spring	2				
	58-1340 92	VALVE ASSEMBLY, Small, Fluoropolymer, EPDM	2				
	58-1340 92H	VALVE ASSEMBLY, Small, Fluoropolymer, EPDM, Hastelloy Spring	2				
	58-1340 93	VALVE ASSEMBLY, Small, Fluoropolymer, VITON	2				
	58-1340 93H	VALVE ASSEMBLY, Small, Fluoropolymer, VITON, Hastelloy Spring	2				
24*	58-1341 02	VALVE ASSEMBLY, Large, Polyester, EPDM	2				
	58-1341 02H	VALVE ASSEMBLY, Large, Polyester, EPDM, Hastelloy Spring	2				
	58-1341 03	VALVE ASSEMBLY, Large, Polyester, VITON	2				
	58-1341 03H	VALVE ASSEMBLY, Large, Polyester, VITON, Hastelloy Spring	2				
	58-1341 92	VALVE ASSEMBLY, Large, Fluoropolymer, EPDM	2				
	58-1341 92H	VALVE ASSEMBLY, Large, Fluoropolymer, EPDM, Hastelloy Spring	2				
	58-1341 93	VALVE ASSEMBLY, Large, Fluoropolymer, VITON	2				
	58-1341 93H	VALVE ASSEMBLY, Large, Fluoropolymer, VITON, Hastelloy Spring	2				
26	58-1038 10	SCREEN, Filter, Stainless Steel	1				
28*	58-1338 02	PISTON ASSEMBLY, Teflon ring, Polyester, EPDM O-ring	1				
	58-1338 03	PISTON ASSEMBLY, Teflon ring, Polyester, VITON O-ring	1				
	58-1338 92	PISTON ASSEMBLY, Teflon ring, Fluoropolymer, EPDM O-ring	1				
	58-1338 93	PISTON ASSEMBLY, Teflon ring, Fluoropolymer, VITON O-ring	1				

*Certain pump parts are available in several materials. Use the first 3 digits of your model number to select the proper "O" rings and gaskets from the following chart.

MODEL	"O" RING	GASKET
HPV	VITON	VITON
HPN	VITON	CORK-NITRILE
HPE	EPDM	EPDM
HRV	VITON	VITON
HRN	VITON	CORK-NITRILE
HRE	EPDM	EPDM
HHV	VITON	VITON
HHE	EPDM	EPDM

POLYESTER

RYTON®

FLUOROPOLYMER

PACER® PUMPS

Div. of ASM Industries, Inc.

servicing industry world-wide

41 Industrial Circle 717-656-2161
 Lancaster, PA 17601-5927 800-233-3861
 Email:sales@pacerpumps.com FAX: 717-656-0477

Minimum Order \$25.00