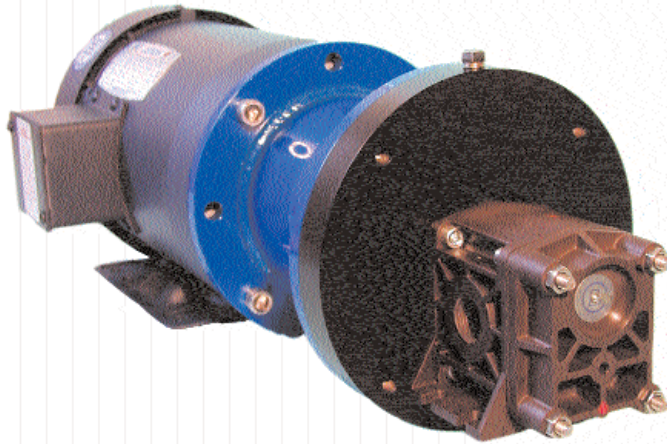


CHEMSTEEL®

RYTON SEAL-LESS MAGNETIC DRIVE



A full range of accessories are available including:

- line mounted pressure relief valves
- pump mounting foot for use with footless motors

GENERAL DESCRIPTION

Chemsteel pumps are designed to handle highly corrosive liquids that must be pumped under pressure. Manufactured to extremely precise tolerance, the Chemsteel pump line prevents system contamination while maintaining the purity and integrity of the liquid being pumped. Its rugged, three-section, o-ring sealed thru-bolt construction provides ease of servicing and parts replacement.

Helical gearing offers noise reduction by as much as 10db. Additionally, Chemsteel pumps offer bi-directional operation for applications requiring reversing flow.

LIFE CYCLE/COST OF OWNERSHIP

Pump design and materials selection, together provide the longest life available from a gear pump.

Key attributes include:

- Gear & bearing combinations of metallic and nonmetallic wear surfaces.
- Slotted bearings to lubricate shaft and gear surfaces.
- Hydraulic porting to balance axial thrust and to reduce wear.
- Ample port sizing to reduce the likelihood of cavitation when inlet pressure is marginal.
- Effective housing seals with elastic memory prevent leakage of corrosives.
- Recirculation heat port versatility.
- Containment can flush & drain connections. prevent leakage of corrosives.

SPECIFIC SOLUTIONS

Gear/bearing design allows for “trimming” for optimizing the pump’s maximum flow to reach minimum turndown or to match flow to a specific OEM’s requirement. Special materials combinations are available for specific liquids:

- Reinforced Rytan® housing construction.
- Gears available in Metallic Alloy C. Also in Teflon®, Rytan® and PEEK®.
- Shafts are Alloy C.
- Bearings available in Carbon, Teflon® and Rulon®
- Neodymium Iron Magnet
- Rytan® containment can
(Optional Alloy C containment can)

FIT

Connections are 1/2” female NPT or BSPT, pump hardware is metric and close couple adapters mount to both NEMA and IEC standard motor frame sizes for world wide acceptance.

MAINTENANCE

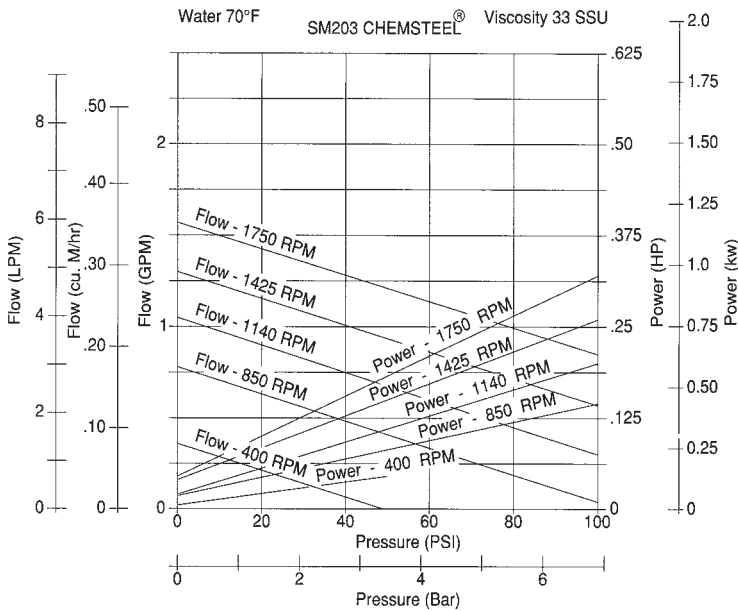
A three-part housing provides easy disassembly and service. Full size bearings match the gear diameter, and eliminate the need for separate wear plates. TFE encapsulating silicone o-ring pump housing seals provide elastic memory to assure an effective long lasting seal and thus avoiding the re-torquing required of pumps using pure TFE.

To order a CHEMkit®, simply add a “K” to the end of the model number. A repair kit contains the following parts:

bearings, gears, o-rings, shafts, keys and retaining ring.

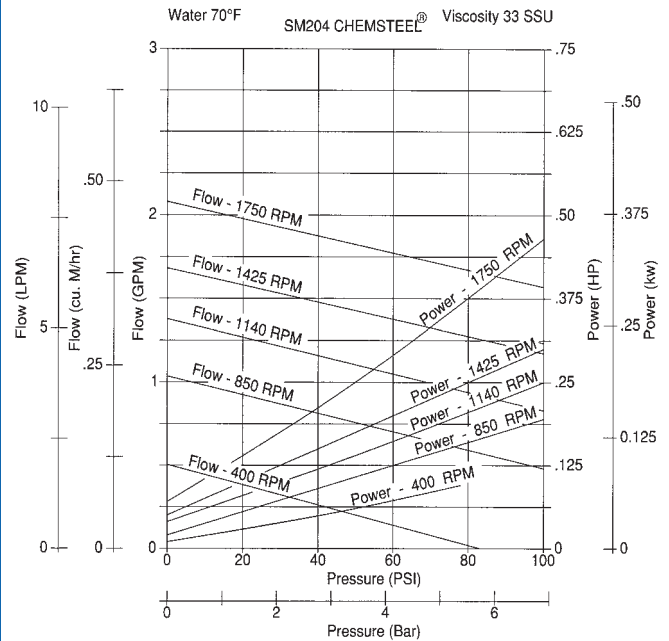
PERFORMANCE

SM203NM



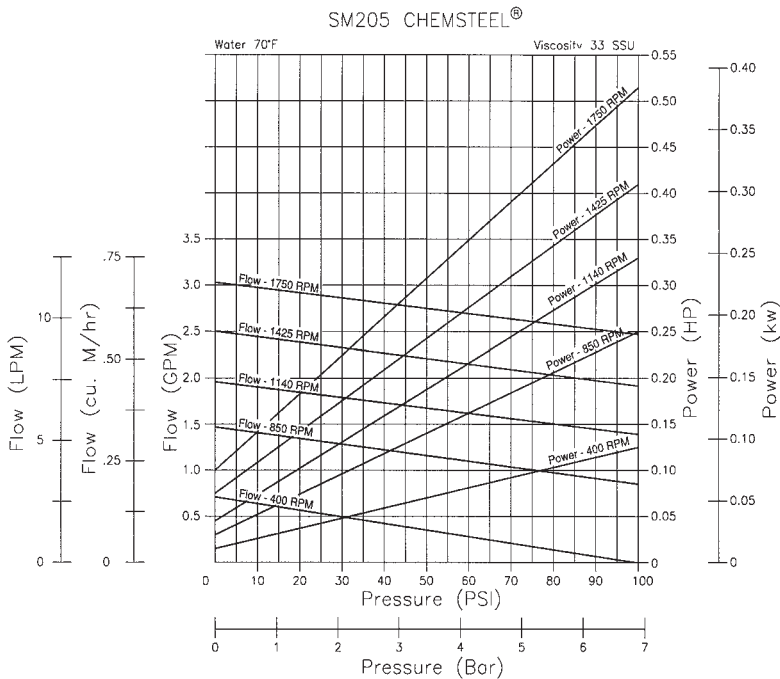
MODEL	SM203NM
Maximum Flow (gpm) @1750 RPM	1.5
Theoretical Displacement (cc/revolution)	4.2
Maximum Differential Pressure (psig)	100
Maximum System Pressure (psig)	200
Maximum Speed (RPM)	1800
Maximum Fluid Temperature	200° F
Minimum Fluid Temperature	-40°F
NPSHR @ 1750 (feet)	2
Standard Port Size	1/2 inch FNPT
weight-less motor (lbs)	19

SM204NM



MODEL	SM204NM
Maximum Flow (gpm) @1750 RPM	2
Theoretical Displacement (cc/revolution)	5.6
Maximum Differential Pressure (psig)	100
Maximum System Pressure (psig)	200
Maximum Speed (RPM)	1800
Maximum Fluid Temperature	200° F
Minimum Fluid Temperature	-40°F
NPSHR @ 1750 (feet)	2
Standard Port Size	1/2 inch FNPT
weight-less motor (lbs)	19

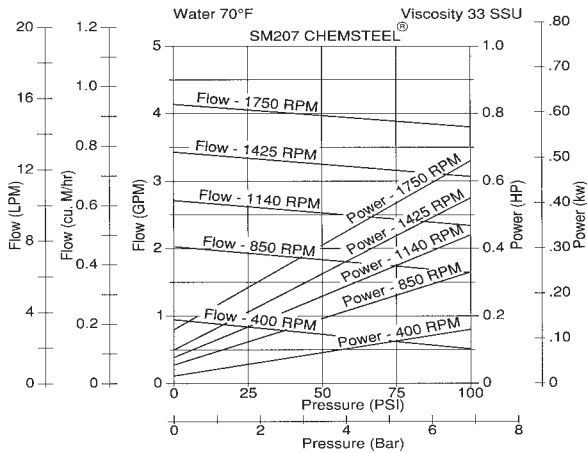
SM205NM



MODEL	SM205NM
Maximum Flow (gpm) @1750 RPM	3
Theoretical Displacement (cc/revolution)	7.4
Maximum Differential Pressure (psig)	100
Maximum System Pressure (psig)	200
Maximum Speed (RPM)	1800
Maximum Fluid Temperature	200° F
Minimum Fluid Temperature	-40°F
NPSHR @ 1750 (feet)	3
Standard Port Size	1/2 inch FNPT
weight-less motor (lbs)	19

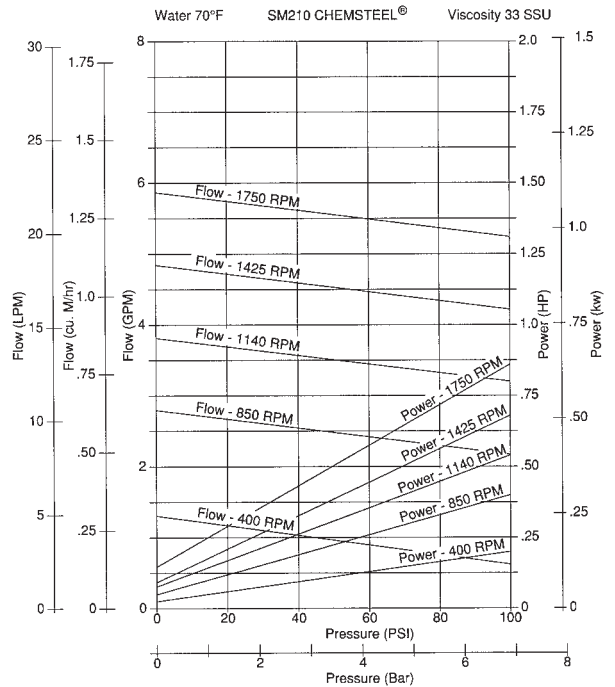
Notes: For continuous service:
Plastic / Plastic gear combinations are limited to 50 psi.
Metal / Plastic gear combinations are limited to 100 psi.

SM207NM



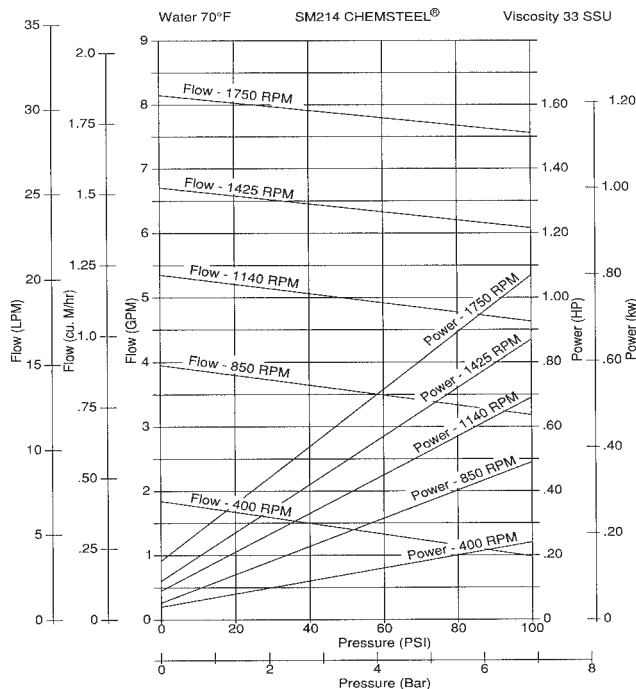
MODEL	SM207NM
Maximum Flow (gpm) @1750 RPM	4
Theoretical Displacement (cc/revolution)	11.2
Maximum Differential Pressure (psig)	100
Maximum System Pressure (psig)	200
Maximum Speed (RPM)	1800
Maximum Fluid Temperature	200° F
Minimum Fluid Temperature	-40° F
NPSHR @ 1750 (feet)	4
Standard Port Size	1/2 inch FNPT
weight-less motor (lbs)	19

SM210NM



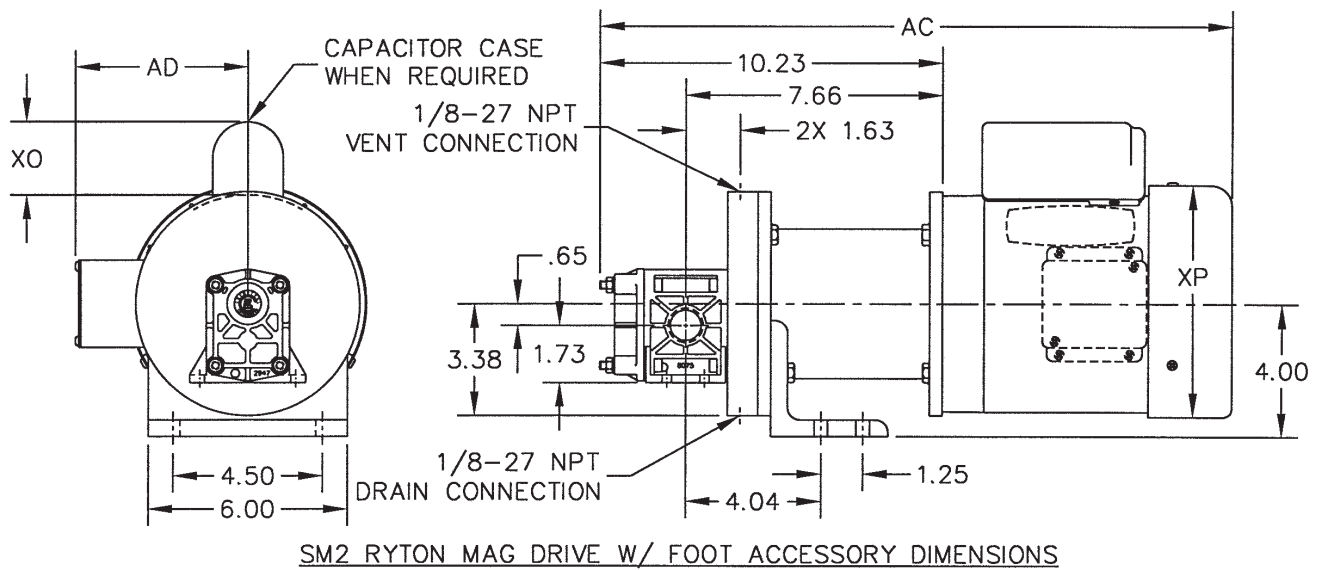
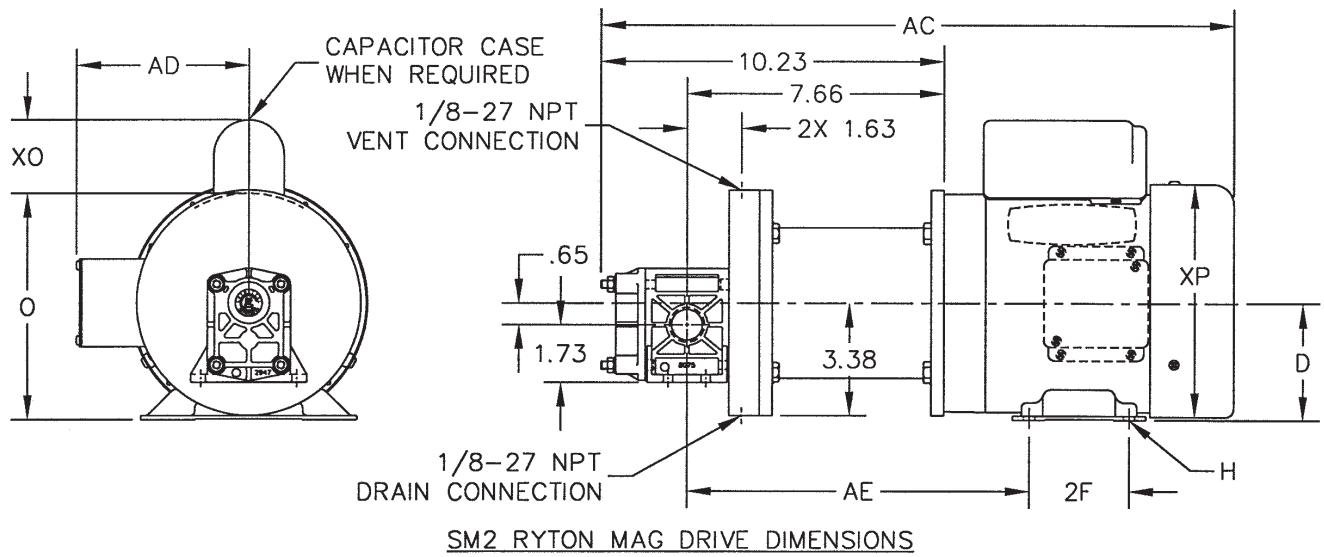
MODEL	SM210NM
Maximum Flow (gpm) @1750 RPM	5.6
Theoretical Displacement (cc/revolution)	14.9
Maximum Differential Pressure (psig)	100
Maximum System Pressure (psig)	200
Maximum Speed (RPM)	1800
Maximum Fluid Temperature	200° F
Minimum Fluid Temperature	-40° F
NPSHR @ 1750 (feet)	6
Standard Port Size	1/2 inch FNPT
weight-less motor (lbs)	19

SM214NM



MODEL	SM214NM
Maximum Flow (gpm) @1750 RPM	8
Theoretical Displacement (cc/revolution)	22.2
Maximum Differential Pressure (psig)	100
Maximum System Pressure (psig)	200
Maximum Speed (RPM)	1800
Maximum Fluid Temperature	200° F
Minimum Fluid Temperature	-40° F
NPSHR @ 1750 (feet)	6
Standard Port Size	1/2 inch FNPT
weight-less motor (lbs)	19

DIMENSIONS



Mag Chemsteel Option Suffix	Power Kit Part No.	Motor Frame		AC*	D	2F	H	AE	AD	*O	*XO	*XP
M1	MC2H56	56C	INCHES	36.1	3.50	3	.34 SLOT	10.22	5.31	6.81	2.25	7.16
			MILLIMETERS	482	88.9	76.2	8.6 SLOT	259.6	134.9	173	57.2	181.9
M2	MC2J45T	143TC/145TC	INCHES	39.5	3.5	4.00/5.00	0.34	10.54	5.31	6.81	2.25	7.16
			MILLIMETERS	568	88.9	101.6/127	8.6	267.7	134.9	173	57.2	181.9
M3	MC2F71E	IEC 71C, B14 FACE	INCHES	35.7	2.8	3.54	.28 SLOT	8.84	4.00	5.14	N/A	4.13
			MILLIMETERS	470	71	89.9	7.1 SLOT	224.5	101.6	130.6	N/A	104.9
M4	MC2T80E	IEC 80C, B14 FACE	INCHES	37.3	3.15	3.94	.39 SLOT	10.02	4.51	6	N/A	4.72
			MILLIMETERS	512	80	100.1	9.9 SLOT	254.5	114.6	152.4	N/A	119.9
M5	MC2U90E	IEC 90SC/90LC, B14 FACE	INCHES	38.4	3.54	3.94/4.92	.39 SLOT	10.26	5.12/4.25	6.81/6.53	N/A	5.51
			MILLIMETERS	540	90	100.1/125	9.9 SLOT	260.6	130/108	173/165.9	N/A	140

* Dimensions AC, O XO and XP may vary depending on HP, Enclosure, Speed and Manufacturer

Teflon® is a registered trademark of DuPont, an equivalent fluoropolymer may be used.
 Ryton® is a registered trademark of Chevron Phillips Chemical, an equivalent polyphenylenesulfide may be used.
 PEEK® is a trademark of Victrex, an equivalent polyetheretherketone may be used.
 RULON® is a trademark of Saint-Gobain, an equivalent compounded PTFE based material may be used.