

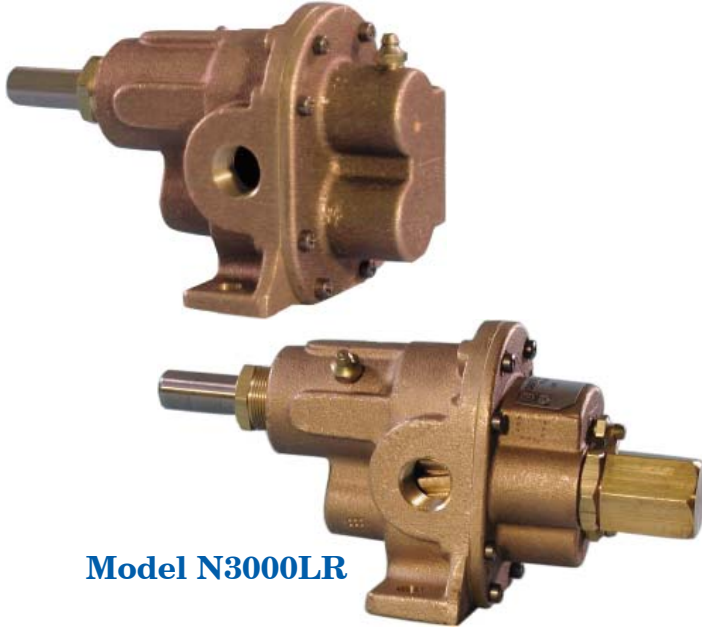


OBERDORFER PUMPS

A Gardner Denver Product

Bronze Close Coupled Rotary Gear Pumps Model N3000L; N3000LR Series

Model N3000L 3/8" NPT Ports



Model N3000LR

FEATURES:

- Bronze corrosion resistant castings
- Special cast bronze helical gears for quiet operation
- Stainless steel shafts & fasteners
- Synthetic braided compression packing (with Teflon® dispersion) is standard
- Optional lip seals are available
- Positive displacement flow
- Bronze bearing surfaces with grease fittings
- 1/2" NPT Ports available

LIQUIDS AND TEMPERATURE:

Service life will be increased substantially if the liquid pumped is clean and has some degree of lubricity. These positive displacement pumps have tight tolerances. Fine abrasives like sand, silt, or powders in suspension will accelerate pump wear and reduce throughput.

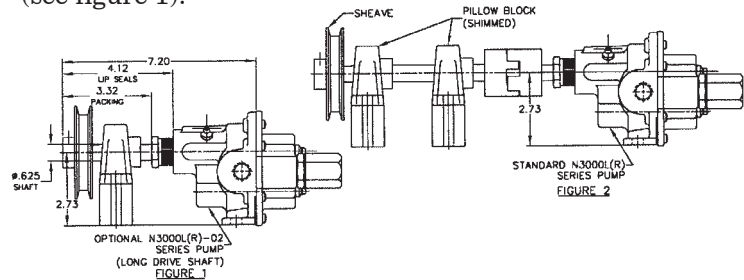
Liquids compatible with bronze and stainless steel can be pumped providing proper seal has been specified (see chemical compatibility or check factory). No carbon bearings used. When possible, flush the pump after each usage.

Temperature extremes are detrimental to service life and should be avoided. Basic metals of construction allow a temperature range of -40 to 400° F. Some lip seal elastomers have a limit of 212° F (see engineering data or check factory). Allowing a liquid to freeze in the pump can cause damage.

MOUNTING AND DRIVE ARRANGEMENT:

Pumps should be mounted on a rigid base and properly aligned with the motor. Direct drive via flexible shaft coupling is the preferred method. When a belt drive is needed, additional support is necessary to absorb the added pulley load. this can be accomplished in two ways:

- 1) Use the standard pump arrangement by adding an independently supported jackshaft (see figure 2 below) or use kit 34P
- 2) When space is an issue, use an optional "long shafted" pump and add a properly shimmed pillow block bearing (see figure 1).



SUCTION LIFT:

Close tolerances and the positive pumping action make the rotary gear pump capable of lifting water on the suction side as high as 20 feet. Though gear pumps are self priming, a foot valve is recommended. If possible, wet the gears with liquid to be pumped for the first dry start. Liquid retained in the system and gear chambers serves to "wet" the pump on subsequent starts

Capacity Water 70° F

RPM	Ft. Hd.	0	46	92	138	184	231	290	346
		PSI	0	20	40	60	80	100	125
400	GPM	1.50	1.05	0.70	0.40	0.20	0.10	----	----
	HP	0.05	0.08	0.13	0.15	0.20	0.24	----	----
	Motor	1/6	1/6	1/6	1/6	1/4	1/4	----	----
600	GPM	2.38	2.14	1.89	1.64	1.39	1.15	0.70	0.32
	HP	0.06	0.10	0.17	0.20	0.28	0.35	0.44	0.53
	Motor	1/6	1/6	1/4	1/4	1/3	1/3	1/2	1/2
800	GPM	3.17	2.90	2.64	2.37	2.11	1.85	1.70	1.30
	HP	0.08	0.17	0.23	0.20	0.40	0.48	0.54	0.65
	Motor	1/6	1/4	1/4	1/3	1/2	1/2	1/2	3/4
1000	GPM	4.00	3.74	3.48	3.22	2.96	2.71	2.40	2.15
	HP	0.10	0.18	0.27	0.38	0.43	0.55	0.67	0.80
	Motor	1/6	1/4	1/3	1/2	1/2	3/4	3/4	1
1200	GPM	4.85	4.60	4.35	4.10	3.84	3.58	3.50	3.20
	HP	0.15	0.25	0.33	0.45	0.55	0.68	0.85	1.00
	Motor	1/6	1/4	1/3	1/2	3/4	3/4	1	1
1600	GPM	6.67	6.42	6.16	5.90	5.64	5.38	5.25	5.00
	HP	0.20	0.30	0.45	0.58	0.60	0.85	1.05	1.25
	Motor	1/4	1/3	1/2	3/4	3/4	1	1	1 1/2
1725	GPM	7.25	7.00	6.75	6.50	6.25	6.00	5.75	5.50
	HP	0.38	0.50	0.65	0.80	0.95	1.10	1.25	1.40
	Motor	1/3	1/2	3/4	1	1	1	1 1/2	1 1/2

HP = Actual Horsepower
GPM = Gallons per minute
RPM = Rev. per minute

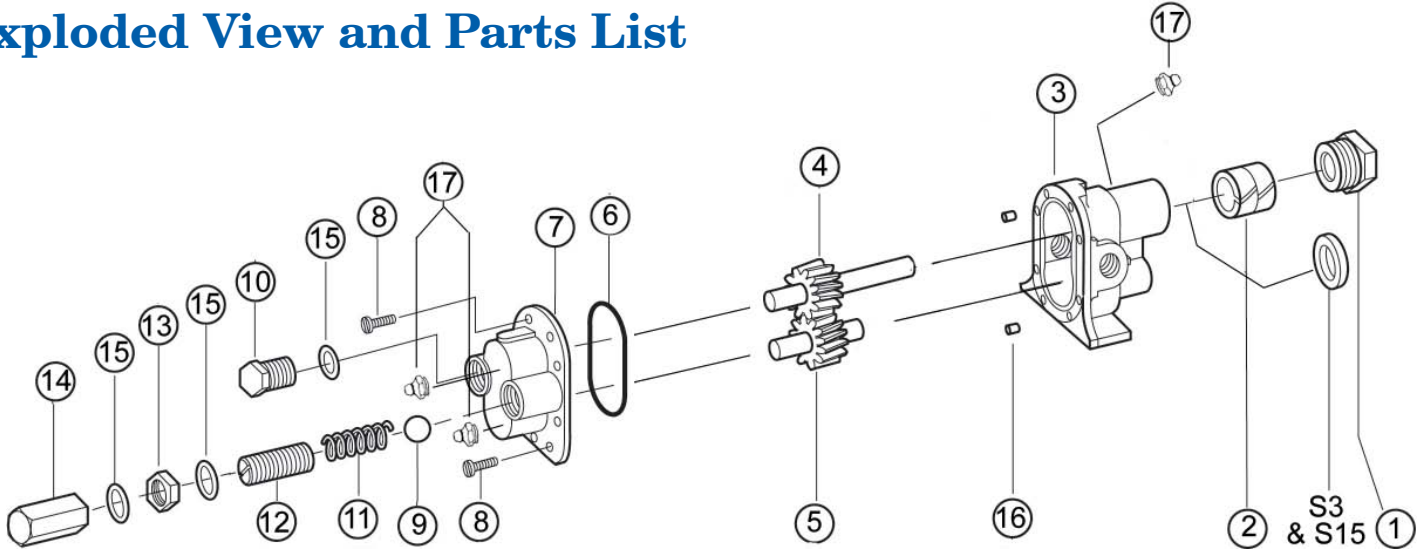
Motor = Convenient Fractional Size
PSI = Lbs. per square inch pressure
Ft. Hd. = Equiv. pressure in Ft. of water

* For pressures over 100 PSI, the above selections are suitable for pumping fluids with lubricity (eq. oils, polymers). Service life will decrease for fluids without lubricity (eq. water, solvents).

Bronze Close Coupled Rotary Gear Pumps

Model N3000L; N3000LR Series

Exploded View and Parts List



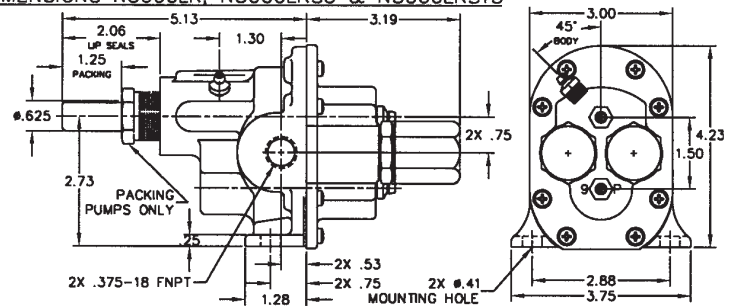
	1	2*	3	4	5	6	7	8	9	10	11	12	13	14	15	16	17	18**	19**	20***
	Pack Nut	Packing	Body	Drive Gear Assy	Idle Gear Assy	O-Ring	Cover	Screw	Ball	Plug Nut	Spring	Adj. Screw	Lock Nut	Bypass Nut	Fiber Washer	Dowel Pin	Grease Fitting	Tag	Stick Screw	Repair Kit
Model	Qty. 1	Qty. 2	Qty. 1	Qty. 1	Qty. 1	Qty. 1	Qty. 1	Qty. 8	Qty. 1	Qty. 1	Qty. 1	Qty. 1	Qty. 1	Qty. 1	Qty. 3	Qty. 2	Qty. 2	Qty. 1	Qty. 1	
N3000L	1762	5479	9318PC1N-2	33001	33002	9797-041	9322-PN5N-1	5385	NA	NA	NA	NA	NA	NA	NA	8885	5390	9344	9345	12217
N3000LR	1762	5479	9318PC1N-2	33001	33002	9797-041	9322-PN5B-1	5385	5206	5205	5207	5200	5209	5204	6964	8885	Qty. 3 5390	9344	9345	12217

* Lipseals ** Items 18 & 19 are not shown. *** Repair Kit contains items 2, 4, 5, 6.

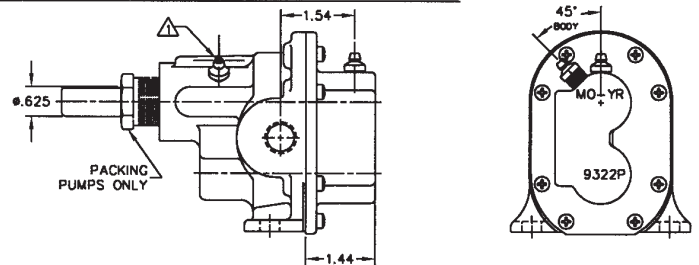
Number	Description	1	2	3	20
		Pack Nut	Lipseal	Body	
N3000LS3	Buna Lipseal	NA	5463	9318PC2N-1	12218
N3000LS15	Viton-Teflon Lipseal	NA	9997	9318PC2N-1	12219

Dimensions

DIMENSIONS N3000LR, N3000LRS3 & N3000LRS15



DIMENSIONS N3000L, N3000LS3 & N3000LS15



▲ GREASE FITTINGS (ITEM 17) INSTALLED INTO .125-27 NPT CONNECTIONS.

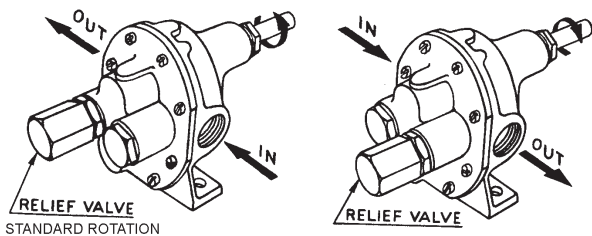
* VITON® is a trademark of DuPont Dow Elastomers. VITON® or equivalent FKM may be used. Teflon® is a registered trademark of DuPont. Teflon® or equivalent PTFE will be used.

BY-PASS AND ROTATION:

The pump by-pass is not intended to be a metering or flow control device. Its main purpose is to function as a pressure relief when the desired set point is exceeded, overheating can occur within 5-10 minutes if the discharge line is completely shut off for extended periods.

Reversing rotation reverses the "IN" and "OUT" ports and the location of the by-pass ports have to be reversed.

The by-pass valve is factory set at 50 psi. To increase the setpoint, turn the by-pass valve adjusting screw in a clockwise direction.



OBERDORFER PUMPS

A Gardner Denver Product

5900 Firestone Drive, Syracuse, NY 13206

Phone: (800) 448-1668; (315) 437-0361 • Fax: (315) 463-9561

Visit www.oberdorfer-pumps.com to find in-depth descriptions of the world's leading high-quality, dependable pumps.

Due to ongoing product improvements, data shown here is subject to change without notice. Contact Oberdorfer Pumps for latest specifications.

N3000.032612