

202M-11

| Pump No. | Item Name | Req. | Major Repair Kit contains items 1, 3, 4, 6, 7, 10, to 16 | | | | | | | | | | | | | | | | | | | | |
|----------|-----------|------|----------------------------------------------------------|------|------|------|------|------|------|------|------|------|------|------|-------|------|------|------|------|------|------|-------|-------|
| | | | 1 | 2 | 3 | 4 | 5 | 6 | 7 | 8 | 9 | 10 | 11 | 12 | 13 | 14 | 15 | 16 | 17 | | | | |
| 202M-11 | | 4 | 8907 | 6638 | 6599 | 6593 | 8927 | 8927 | 6592 | 7300 | 8869 | 8870 | 8870 | 5373 | 32592 | 7639 | 8874 | 8868 | 5947 | 7557 | 6600 | 11680 | 11679 |

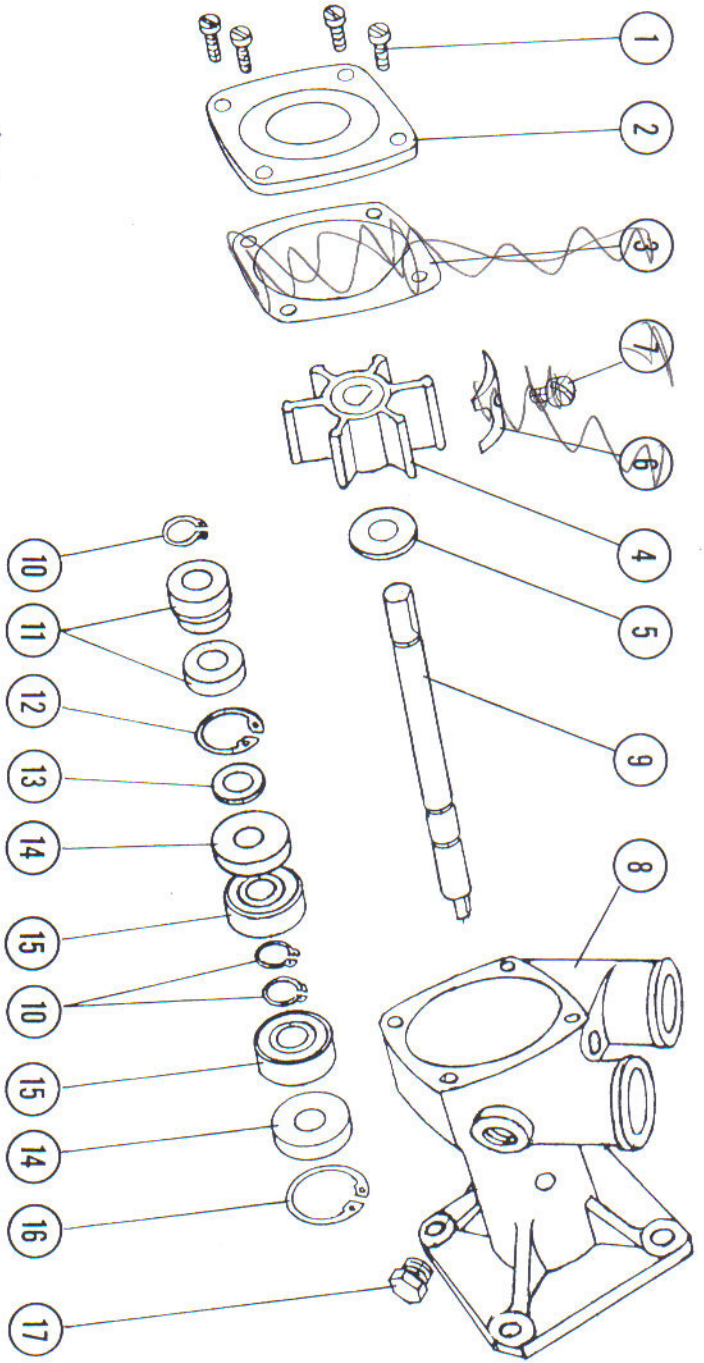
WATER LESS PUMP

OBERDORFER PUMPS INCORPORATED • SYRACUSE, NEW YORK 13221 • PHONE (315) 437-0361

PAGE 4

old style 202M-11 pump

N 202M-11



| Pump No. | Item Name | Req. | Item Name | Req. | Item Name | Req. | Item Name | Req. | Item Name | Req. | Item Name | Req. | Item Name | Req. | Item Name | Req. | Item Name | Req. | Item Name | Req. | Item Name | Req. | Item Name | Req. | Item Name | Req. | Item Name | Req. | Item Name | Req. | Item Name | Req. | Item Name | Req. | Item Name | Req. | | | | | | | | | | | | | | | |
|----------|-----------|-------|-----------|------|-----------|------|-----------|----------|-----------|------|-----------|------|-----------|--------|-----------|------|-----------|------|-----------|-------|-----------|------|-----------|------|-----------|------------|-----------|------|-----------|------|-----------|---------|-----------|------|-----------|------|----|-------------|---|----|-----------|---|----|------|---|----|--------------------------------------------|-------|----|----------------------------------------------------|-------|
| 202M-11 | 1 | Screw | 4 | 2 | Cover | 1 | 3 | Impeller | 1 | 4 | Washer | 1 | 5 | Washer | 1 | 6 | Body | 1 | 7 | Shaft | 1 | 8 | Snap Ring | 3 | 9 | Seal Assy. | 1 | 10 | Snap Ring | 1 | 11 | Slinger | 1 | 12 | Lip Seal | 2 | 13 | Ball Bearg. | 2 | 14 | Snap Ring | 1 | 15 | Plug | 1 | 16 | Minor Repair Kit contains items 3, 4, 6, 7 | 11680 | 17 | Major Repair Kit contains items 1, 3, 4, 5, 10, 16 | 11679 |

5385
6597B
9999034
8869-2

OBERDORFER PUMPS INCORPORATED • SYRACUSE, NEW YORK 13221 • PHONE (315) 437-0361

NEW STYLE N202M-11

James P.

ENGINE COOLING & GENERAL PURPOSE



RUBBER IMPELLER

OBERDORFER MARINE PUMPS

For additional engineering details see Summary Sheets pages 12, 13.

Features

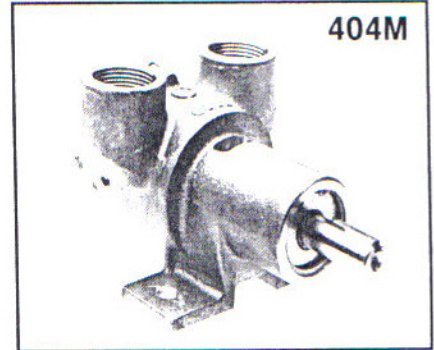
- Reversible Wearplate
- Teflon Barrier Seals Protecting Ball Bearings
- Mechanical Seal
- Two Sealed Ball Bearings
- High Chrome Nickel Stainless Steel Shaft
- "O" Ring Seal Between Body and Cover Eliminates Gasket Problems

Palmer

CAPACITY

Water at 60°F

| PUMP MODEL | RPM | FEET HD. | | | | | |
|------------|------|----------|-------|-------|------|------|------|
| | | 0 | 20 | 40 | 60 | 80 | |
| 404M | 800 | PSI | 0 | 8.7 | 17.3 | 26.0 | 34.6 |
| | | GPM | 12.0 | 11.0 | 9.7 | 7.5 | 2.0 |
| | 1750 | HP | 1/3 | 1/3 | 1/2 | 1/2 | 3/4 |
| | | GPM | 25.0 | 24.0 | 22.2 | 19.1 | 15.0 |
| | 2500 | HP | 3/4 | 3/4 | 3/4 | 1 | 1 |
| | | GPM | 32.5 | 30.5 | 27.0 | 24.0 | 17.5 |
| 3000 | HP | 1 | 1 1/2 | 1 1/2 | 2 | 2 | |
| | GPM | 36.0 | 34.5 | 31.0 | 27.5 | 21.0 | |



404M

Features

- 2 Bolt Flange Mounting
- Slotted Shaft Drive
- 2 Separate Seals: Main Pump & Flange Mounting
- "Up" Direction In & Out Ports
- Large Vent & Drain Openings Separate Pump Seal & Flange Seal
- High Chrome Nickel Stainless Steel Shaft

Universal

Used on Universal Atomic-4 Series Gas and Diesel.

CAPACITY

Water at 60°F

| PUMP MODEL | RPM | FT. HD. | | | | | | | |
|------------------|------|---------|-------|-------|-------|------|------|------|------|
| | | 0 | 10 | 20 | 30 | 40 | 50 | 60 | |
| 202M-3 202M-7 | 1750 | PSI | 0 | 4.3 | 8.7 | 13.0 | 17.3 | 21.7 | 26.0 |
| | | GPM | 3 3/4 | 3 3/4 | 2 1/2 | 2 | 1 | | |
| | 2500 | HP | 1/3 | 1/3 | 1/3 | 1/3 | 1/3 | | |
| | | GPM | 6.5 | 6 | 5.5 | 4.5 | 3.5 | 2 | .25 |
| | 3500 | HP | 1/2 | 1/2 | 1/2 | 1/2 | 1/2 | 1/2 | 1/2 |
| | | GPM | 9.25 | 8.75 | 8.25 | 7 | 5.5 | 4 | 1.75 |



202M-3

Features

- 4 Bolt Flange Mounting
- Slotted Shaft Drive
- 2 Separate Seals: Main Pump & Flange Mounting
- "Up" Direction In & Out Ports
- Large Vent & Drain Openings Separate Pump Seal & Flange Seal
- High Chrome Nickel Stainless Steel Shaft

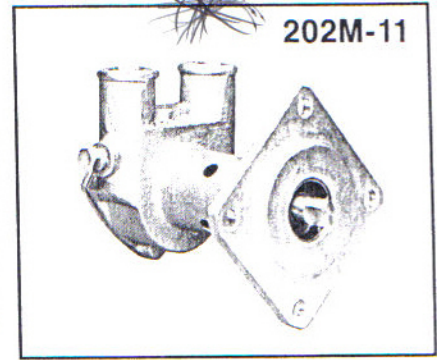
Onan

Used on Onan 4.0 Gen. Set - Series MDKC. Ball Bearings and Mechanical Seal.

CAPACITY

Water at 60°F

| PUMP MODEL | RPM | FT. HD. | | | | | | | |
|------------|------|---------|-------|-------|-------|------|------|------|------|
| | | 0 | 10 | 20 | 30 | 40 | 50 | 60 | |
| 202M-11 | 1750 | PSI | 0 | 4.3 | 8.7 | 13.0 | 17.3 | 21.7 | 26.0 |
| | | GPM | 3 3/4 | 3 3/4 | 2 1/2 | 2 | 1 | | |
| | 2500 | HP | 1/3 | 1/3 | 1/3 | 1/3 | 1/3 | | |
| | | GPM | 6.5 | 6 | 5.5 | 4.5 | 3.5 | 2 | .25 |
| | 3500 | HP | 1/2 | 1/2 | 1/2 | 1/2 | 1/2 | 1/2 | 1/2 |
| | | GPM | 9.25 | 8.75 | 8.25 | 7 | 5.5 | 4 | 1.75 |



202M-11

Features

- 5 Bolt Flange Mounting
- Slotted Shaft Drive
- 2 Separate Seals: Main Pump & Flange Mounting
- "Up" Direction In & Out Ports
- Large Vent & Drain Openings Separate Pump Seal & Flange Seal
- High Chrome Nickel Stainless Steel Shaft

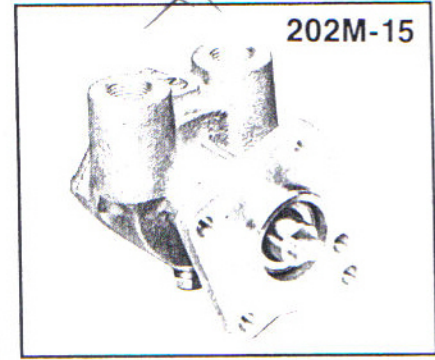
Universal

Used on Universal Series with Kubota Diesel.

CAPACITY

Water at 60°F

| PUMP MODEL | RPM | FT. HD. | | | | | | | |
|------------|------|---------|-------|-------|-------|------|------|------|------|
| | | 0 | 10 | 20 | 30 | 40 | 50 | 60 | |
| 202M-15 | 1750 | PSI | 0 | 4.3 | 8.7 | 13.0 | 17.3 | 21.7 | 26.0 |
| | | GPM | 3 3/4 | 3 3/4 | 2 1/2 | 2 | 1 | | |
| | 2500 | HP | 1/3 | 1/3 | 1/3 | 1/3 | 1/3 | | |
| | | GPM | 6.5 | 6 | 5.5 | 4.5 | 3.5 | 2 | .25 |
| | 3500 | HP | 1/2 | 1/2 | 1/2 | 1/2 | 1/2 | 1/2 | 1/2 |
| | | GPM | 9.25 | 8.75 | 8.25 | 7 | 5.5 | 4 | 1.75 |



202M-15