

BRONZE PEDESTAL ROTARY GEAR PUMPS

1 1/2" NPT PORTS



MODEL N13500-21- UPPER DRIVE
MODEL N13510-21 - LOWER DRIVE

FEATURES

- Bronze Corrosion Resistant Castings
- Stainless Steel Shafts & Fasteners
- Self-Lubricating Carbon Bearings
- Packing (Braided Acrylic yarn with special lubricant and Graphite)
- Optional Viton Lip Seal
- For Mechanical Seals, see Models N13HDM

DRIVE

Either direct drive with flexible coupling or pulley drive can be used. For pulley driven pumps a pillow block bearing must be used at the drive shaft end to absorb the belt forces. The drive shaft is sufficiently long enough to accommodate a pillow block in addition to the pulley.

Correct alignment is absolutely essential for satisfactory pump life. Recheck alignment after the piping has been connected to the pump.

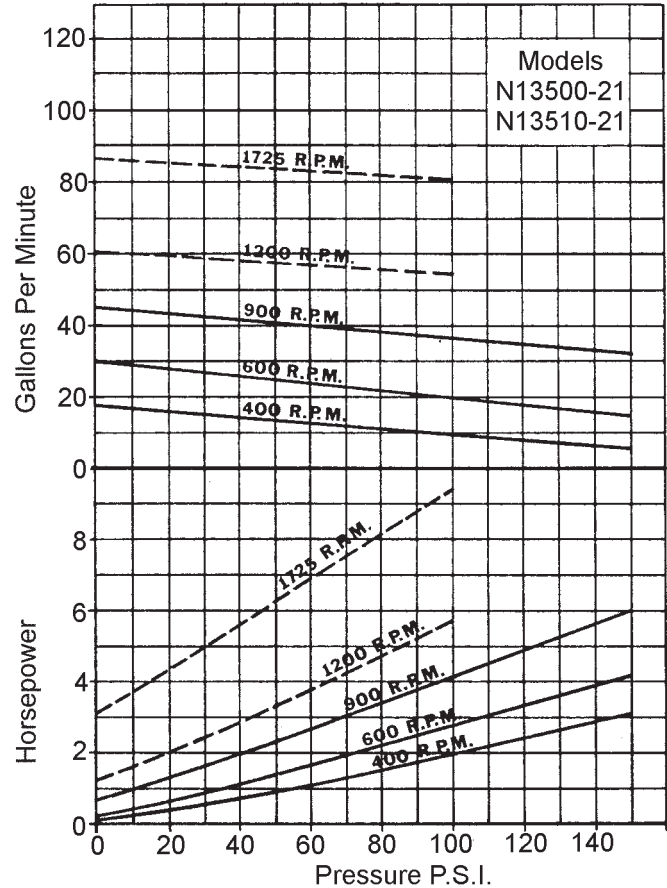
LIQUIDS AND TEMPERATURE

Service life will be increased substantially if the liquid pumped is clean and has a lubricity value. These pumps have extremely close tolerances. Fine abrasives like sand, silt, or powders in suspension will destroy pumping ability.

Liquids compatible with bronze, stainless steel and the acrylic graphite packing can be pumped. Optional S5 Viton lip seal has teflon backup and stainless case. Solvent resistant packings and Teflon® packings are also available. See a chemical compatibility table or check factory. When possible, flush the pump with water after using.

Temperature extremes are detrimental to service life and should be avoided. Basic metals of construction allow temperature range of -40°F to 400° F, the acrylic graphite packing is rated to 500°F, the Viton lip seal is rated to 300°F. Freezing liquid in the pump can deform or damage the pump.

CAPACITY Water 60°F



Note: Dotted lines(---) recommended for intermittent duty only due to accelerated wear at higher speeds and pressures.

Viscous liquids such as molasses or oils require a lower pumping speed, in extreme cases as low as 200 R.P.M. Consult factory for recommended speeds and increased horsepower requirements. Large suction lines are required to prevent cavitation which can cause pump destruction.

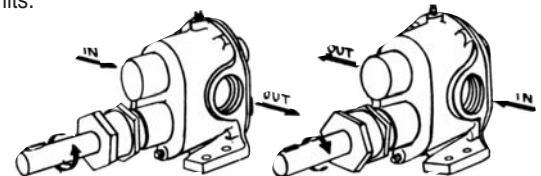
Liquids with specific gravities heavier than water such as dry cleaning fluids require an increase in motor horsepower directly proportional to the increase in specific gravity over water.

SUCTION LIFT

A rotary gear pump is capable of lifting water on the suction side as high as 20 feet. Though gear pumps are self-priming, a foot valve is recommended. For pumping water directly from streams or ponds, a wire mesh strainer must be used at the beginning of the suction line to prevent stones from entering the pump. Strainer and foot valve are commercially available as combination units.

ROTATION

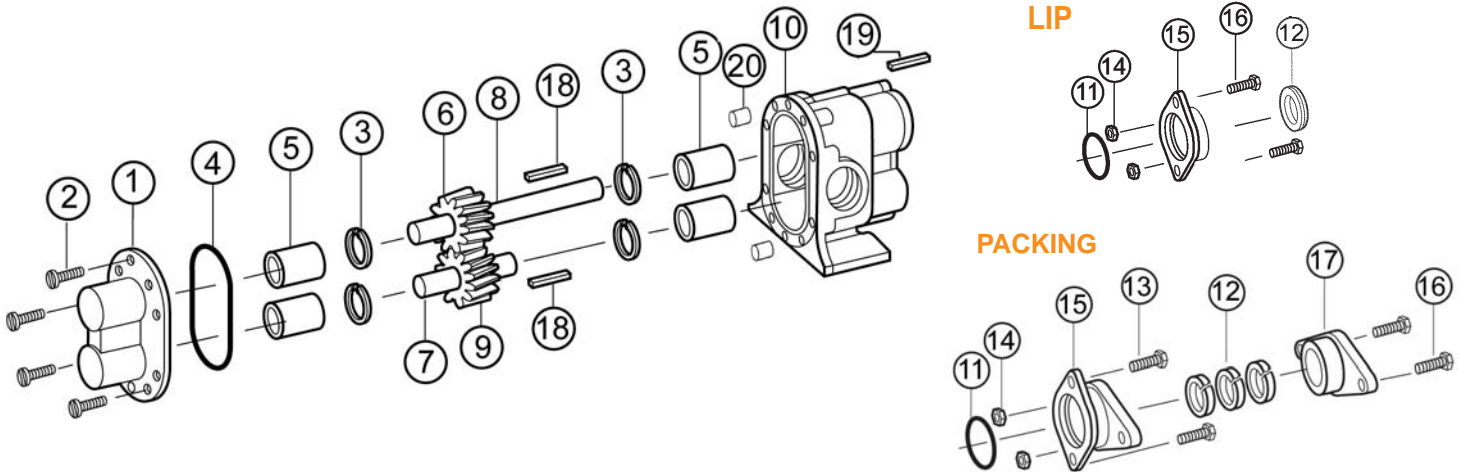
N13510-21



MODEL
 N13500-21
 N13510-21
 N13500S5
 N13510S5

BRONZE PEDESTAL ROTARY GEAR PUMPS

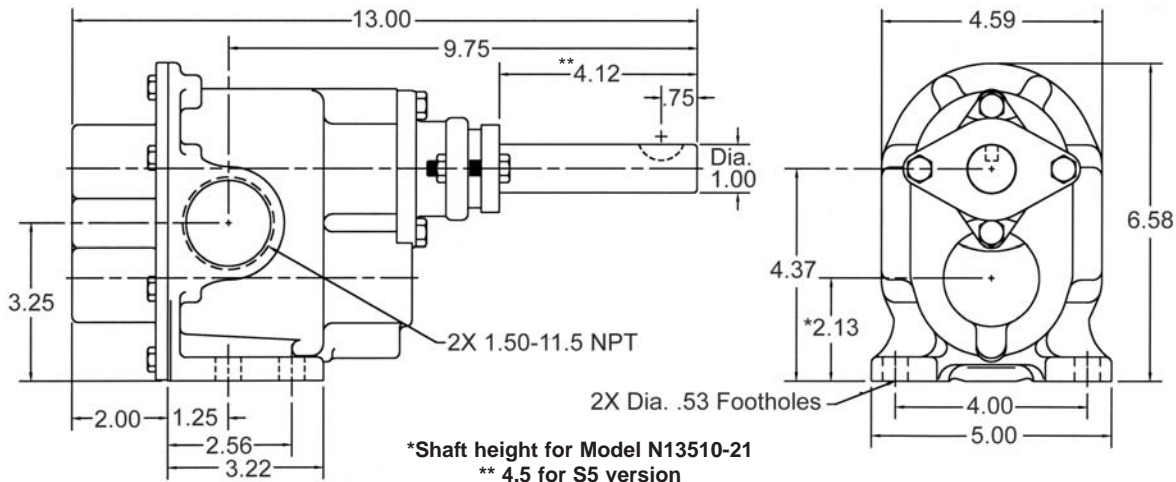
EXPLODED VIEW AND PARTS LIST



	1	2	3	4	5	6	7	8	9	10	11	12a	12b	13	14	15	16	17	18	19	20	Repair Kit
	Cover	Screw	Snap Ring	O-Ring	Bearing	Drive Gear	Idle Shaft	Drive Shaft	Idle Gear	Body	O-Ring	Packing	Lip Seal	Screw	Nut	Gland	Screw	Seal Adapter	Key	Key	Dowel Pin	
Pump No.	1 Req'd	8 Req'd	4 Req'd	1 Req'd	4 Req'd	1 Req'd	1 Req'd	1 Req'd	1 Req'd	1 Req'd	1 Req'd	3 Req'd	1 Req'd	2 Req'd	2 Req'd	1 Req'd	2 Req'd	1 Req'd	2 Req'd	1 Req'd	2 Req'd	
N13500-21	9333NN5N	5393	7651	9797-158	5108	9854	7653	5176	9855	9332NH7N	6515	7624	N/A	5916	8395	7451	9905	9904	5975	5576	8597	10643
N13510-21	9333NN5N	5393	7651	9797-158	5108	9854	7653	5176	9855	9332NH8N	6515	7624	N/A	5916	8395	7451	9905	9904	5975	5576	8597	10643
N13500S5	9333NN5N	5393	7651	9797-158	5108	9854	7653	5176	9855	9332NH7N	9797-224	N/A	7262	5916	N/A	9853	N/A	N/A	5975	5576	8597	12269
N13510S5	9333NN5N	5393	7651	9797-158	5108	9854	7653	5176	9855	9332NH8N	9797-224	N/A	7262	5916	N/A	9853	N/A	N/A	5975	5576	8597	12269

Repair Kits contain items 3, 4, 5, 6, 7, 8, 9, 12 & 18.

DIMENSIONS



Specifications are subject to change without notice.

Viton® is a registered trademark of DuPont. Teflon(R) or equivalent PTFE will be used.

*Teflon® is a registered trademark of DuPont. Teflon(R) or equivalent PTFE will be used.

rev 3/06