



OBERDORFER PUMPS

A Gardner Denver Product

Ductile Iron Closed Coupled Rotary Gear Pumps

Model C9941B2; C994R1B2

3/4" Ports Standard



FEATURES:

- Ductile iron construction with hardened steel shafts
- Stainless helical gears for quiet operation
- Two lip seals for added leak protection
- Self lubricating carbon bearings
- O-ring seal for maximum leak protection
- Durable temperature-resistant paint finish
- Easy field assembly to C-face motors
- Compact dimensions

GENERAL DESCRIPTION:

Tailored specifically for wear resistance and long life in waste cooking oil transfer/reclamation service. They are designed to handle oil at elevated temperatures to 400° F, at pressures up to 50 psi, and at shaft speeds to 1750 RPM while tolerating warm water flush cycles. Shafts are hardened steel. Gears are 416 stainless steel. Rugged ductile iron housings incorporate body/gear lubrication grooves. High grade carbon-graphite bearings are used. The compact dimensions allow drop-in replacement for HYPRO - NG11 pumps.

DRIVE ARRANGEMENT:

These close-coupled pumps mount directly to a full range of NEMA and IEC C-face motors by means of a suitable adapter bracket. The pump drive shaft is connected to the motor shaft by a flexible coupling. Complete pump and motor units are available

SEAL:

Superior to mechanical seal designs that cannot tolerate occasional particles. Two independently mounted fluorocarbon lip seals are separated by an intermediate chamber. The chamber is filled with food grade grease to lubricate the outboard seal. Pumps are conveniently supplied with a grease fitting (an optional grease cup is available) to allow the addition of lubricant to the chamber during operation.

PERFORMANCE:

Water 70° F

| 1725 RPM | | | | | Pump, Adapter & ODP Motor* # | |
|----------|------|----------|----------|-------------|------------------------------|--------------|
| PSI | GPM | HP Reqrd | HP Motor | Motor Frame | Single Phase | Three Phase |
| 0 | 10.5 | 0.5 | 1/2 | 56C | C9942B1H-J45 | C9941B2H-J95 |
| 10 | 10.4 | 0.63 | 3/4 | 56C | C9941B2H-M37R | C9941B2H-M95 |
| 20 | 10.3 | 0.75 | 3/4 | 56C | C9941B2H-M37R | C9941B2H-M95 |
| 30 | 10.2 | 0.83 | 1 | 56C | C9941B2H-N26 | C9941B2H-N95 |
| 40 | 10.1 | 0.90 | 1 | 56C | C9941B2H-N26 | C9941B2H-N95 |
| 50 | 10.0 | 1.00 | 1 1/2 | 145TC | C9941B2J-T45 | C9941B2J-T95 |

* TEFC motors available

| 1150 RPM | | | | | Pump, Adapter & ODP Motor* # | |
|----------|-----|----------|----------|-------------|------------------------------|--------------|
| PSI | GPM | HP Reqrd | HP Motor | Motor Frame | Single Phase | Three Phase |
| 0 | 6.8 | 0.24 | 1/2 | 56C | C9941B2H-J46 | C9941B2H-J96 |
| 10 | 6.7 | 0.27 | 1/2 | 56C | C9941B2H-J46 | C9941B2H-J96 |
| 20 | 6.6 | 0.29 | 1/2 | 56C | C9941B2H-J46 | C9941B2H-J96 |
| 30 | 6.5 | 0.36 | 1/2 | 56C | C9941B2H-J46 | C9941B2H-J96 |
| 40 | 6.4 | 0.43 | 1/2 | 56C | C9941B2H-J46 | C9941B2H-J96 |
| 50 | 6.3 | 0.50 | 3/4 | 56C | C9941B2H-M46 | C9941B2H-M96 |

* TEFC motors available

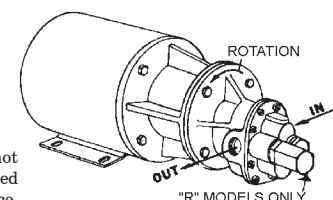
SUCTION LIFT:

These positive displacement external gear pumps will generate 23" HG lift, a feature found to be essential for years of successful cycling. As a general rule, place the pump as close to the liquid source as possible. For a first start-up, the pump should be primed to avoid dry running. Minimum size of the suction pipe is the size of the pump inlet port. For longer suction lines (over 3 feet), the pipe size should be at least one size or two sizes larger than the pump inlet port.

ROTATION AND RELIEF VALVE:

Given the body/gear face lubrication slots, these pumps are unidirectional. The standard pump is set up for normal rotation (clockwise when viewing the pump from the shaft end). Contact the factory if opposite rotation is required.

C994R1B2 is equipped with an integrated relief valve set up for internal bypassing. This relief valve is not intended to be a metering or flow control device. Its purpose is to function as a discharge pressure relief to guard against intermittent down stream system restrictions. Overheating can occur within 5 to 10 minutes if the discharge line is completely shut off. The relief valve is located on the discharge side of the pump. The pressure relief setting is not set at the factory. To increase pressure, turn the relief valve adjusting screw in a clockwise direction.

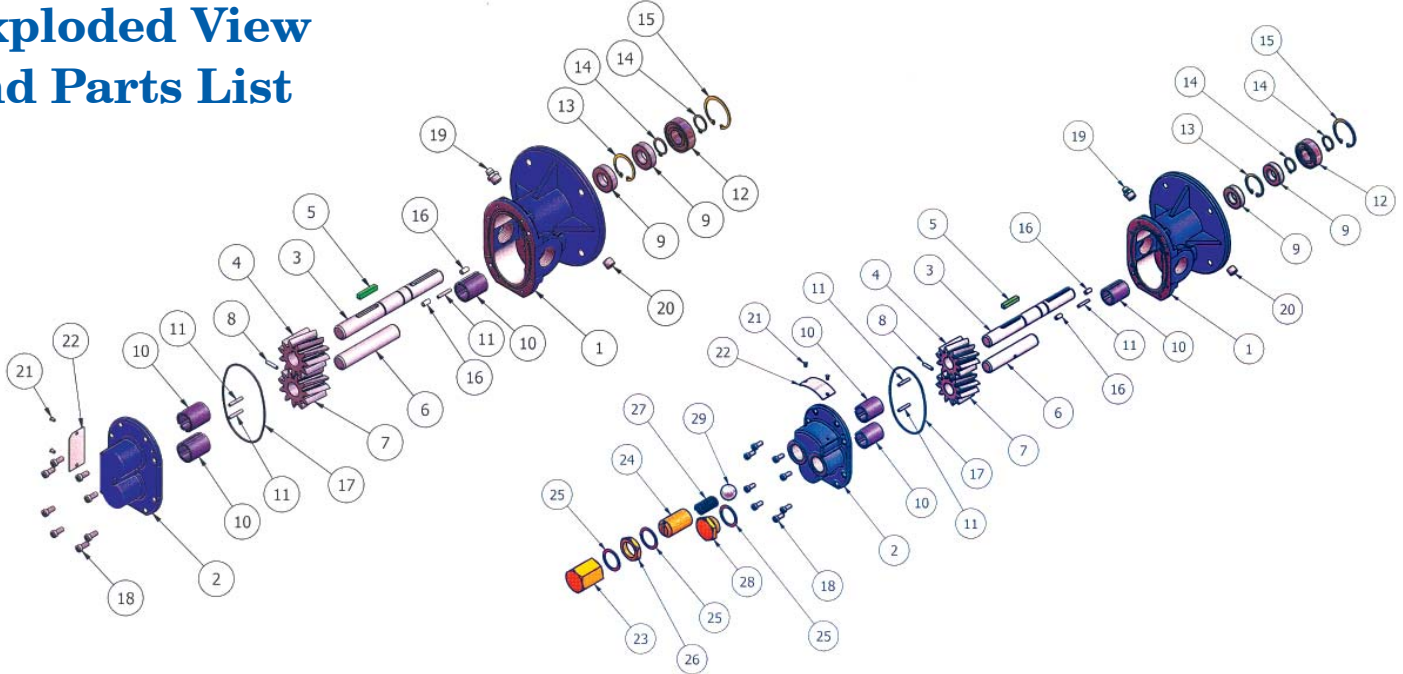


WARNING: This pump is not NSF certified and not intended for sanitary filtration service.

Bronze Close Coupled Rotary Gear Pumps

Model C9941B2; C994R1B2

Exploded View and Parts List



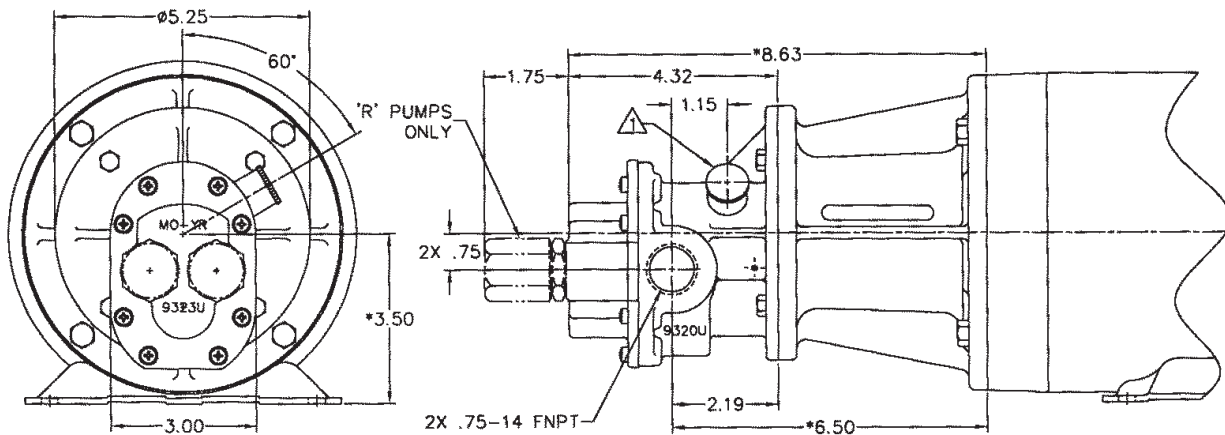
| | 1 | 2 | 3 | 4 | 5 | 6, 7, 8 | 9 | 10 | 11 | 12 | 13 | 14 | 15 | 16 | 17 | 18 |
|--------------|----------|----------|-------------|------------|--------|-----------------|----------|----------------|-------------|--------------|-----------|-----------|-----------|-----------|----------|--------|
| | Body | Cover | Drive Shaft | Drive Gear | Key | Idle Gear Assy. | Lip Seal | Bearing Carbon | Bearing Pin | Bearing Ball | Ret. Ring | Ret. Ring | Ret. Ring | Dowel Pin | O-Ring | Screw |
| Model | Qty. 1 | Qty. 1 | Qty. 1 | Qty. 1 | Qty. 1 | Qty. 1 | Qty. 2 | Qty. 3 | Qty. 3 | Qty. 1 | Qty. 1 | Qty. 2 | Qty. 3 | Qty. 2 | Qty. 1 | Qty. 8 |
| C9941B2 | 9320UEZN | 9322UN5N | 2785 | 2888F | 6567 | 33181 | 9354-03 | 2688 | 2687 | 2461 | 7557 | 5382 | 5464 | 8885 | 9797-041 | 5385 |
| C994R1B2 | 9320UEZN | 9323UN5B | 2785 | 2888F | 6567 | 33181 | 9354-03 | 2688 | 2687 | 2461 | 7557 | 5382 | 5464 | 8885 | 9797-041 | 5385 |

| | 19 | 20 | 21 | 22 | 23 | 24 | 25 | 26 | 27 | 28 | 29 |
|--------------|----------------|-----------|-------------|--------|------------|---------------|--------------|---------|--------|---------|--------|
| | Grease Fitting | Pipe Plug | Stick Screw | Tag | Bypass But | Adjust. Screw | Fiber Washer | Locknut | Spring | Plugnut | Ball |
| Model | Qty. 1 | Qty. 1 | Qty. 2 | Qty. 1 | Qty. 1 | Qty. 1 | Qty. 3 | Qty. 1 | Qty. 1 | Qty. 1 | Qty. 1 |
| C9941B2 | 5390 | 2052 | 9345 | 9344 | NA | NA | NA | NA | NA | NA | NA |
| C994R1B2 | 5390 | 2052 | 9345 | 9344 | 5200 | 5200 | 2692 | 5209 | 5207 | 5205 | 5206 |

| | Adapter Kit | Part # | Description |
|--|-------------|--------|-------------|
| | H | 11299C | 56C Frame |
| | J | 11300C | 143TC/145TC |
| | G | 11380 | IEC 71 |
| | T | 11386 | IEC80 |

* Repair Kit #12216 contains items 10-20 & 27 ** Grease cartridges (Part # 2001) are available

Dimensions



*THESE DIMENSIONS ARE SPECIFIC TO A 56C OR 143TC/145TC FRAME MOTOR.
 ▲ GREASE CUP (ITEM 27) WITH A .125-27 NPT CONNECTION.



OBARDORFER PUMPS

A Gardner Denver Product

5900 Firestone Drive, Syracuse, NY 13206

Phone: (800) 448-1668; (315) 437-0361 • Fax: (315) 463-9561

Visit www.oberdorfer-pumps.com to find in-depth descriptions of the world's leading high-quality, dependable pumps.

Due to ongoing product improvements, data shown here is subject to change without notice. Contact Oberdorfer Pumps for latest specifications.

C9941B2.060512