

OBERDORFER

BRONZE

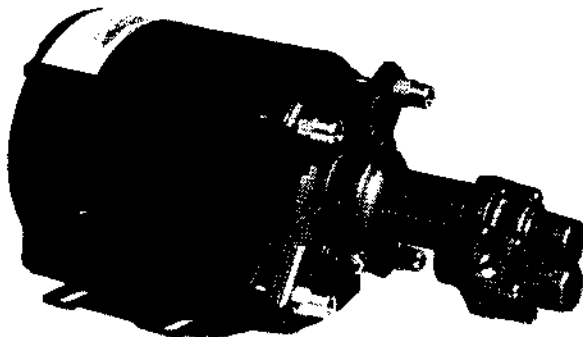
ROTARY GEAR PUMP

MODEL

991

11-12000

PIPE SIZE $\frac{1}{4}$ or $\frac{3}{8}$



CAPACITY – Gallons of Water Per Minute – 60°F

Pump	Outlet pressure in PSI					
	2 PSI	20 PSI	40 PSI	60 PSI	80 PSI	100 PSI
991,991M,991N with 1/3 HP 1725 RPM Motor	2.10	1.98	1.86	1.74	1.62	1.50

R.P.M.=REVOLUTIONS PER MINUTE
H.P.=HORSEPOWER
P.S.I.=LBS. PER SQUARE INCH PRESSURE

DRIVE

The pump is driven directly from the electric motor shaft by means of a flexible coupling. An aluminum adapter connects the pump to the motor. Type "M" adapter is used for 48 frame motors and type "N" adapter for 56 frame motors. Consult factory on use of explosion-proof motors.

LIQUIDS AND TEMPERATURE

Service life will be increased substantially if liquid pumped is clean and has lubricity value. These pumps have extremely close tolerances. Fine abrasives like sand, silt or powders in suspension will destroy pumping ability.

Liquids compatible with bronze, stainless steel and the Buna lip seal can be pumped. For solvents a Viton lip seal is available. See chemical compatibility table or check factory.

Temperature extremes are detrimental to service life and should be avoided. Basic metals of construction allow temperature range of -40 to 400°F. Standard Buna lip seal has a temperature limit of 250°F, while the Viton lip seal will handle up to 300°F. Freezing liquid in the pump can deform or damage the pump.

SUCTION LIFT

A rotary gear pump is capable of lifting water on the suction side as high as 20 feet. Though gear pumps are self-priming a foot valve is recommended. If possible, wet gears with the liquid to be pumped for first dry start. Liquid retained in the system and gear chambers serves to wet pump on subsequent starts.

ROTATION

Unless otherwise specified the pump motor unit is supplied by the factory for shaft rotation as shown in diagram on reverse page. Reversing the motor rotation will reverse the "in" and "out" ports.

To reverse single phase motors find instructions on inside of junction box cover or on name plate of motor.

Three phase motors are not wired for any particular rotation. They can be reversed by interchanging any 2 wires of the 3 wire leads.

PUMP	DESCRIPTION	MOTOR HP
991	Pump Only	—
991M	Pump and 48 Frame Motor Adapter	—
991N	Pump and 56 Frame Motor Adapter	—
991M F01	Singlephase Unit	1/3
991M F51	Polyphase Unit	1/3

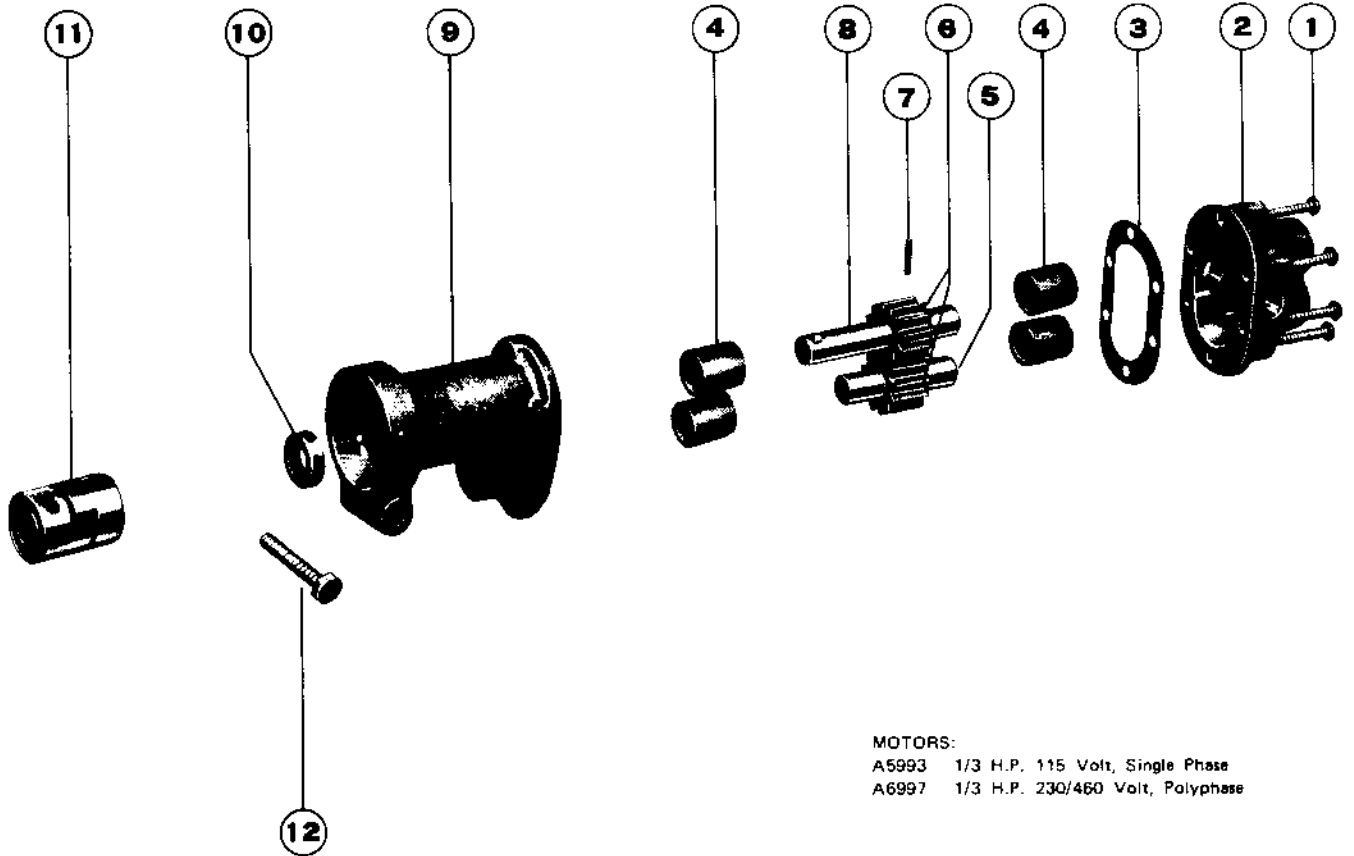
FEATURES

- Bronze Construction with Stainless Steel Shafts
- Positive Spring Loaded Lip Seal
- Available with 48 or 56 Frame Motor Adapter and Hardware
- Self-Lubricating Carbon Bearings
- Easy Field Assembly to Motors
- Complete Units Available
- Consult Factory for Special Motors and Seals

MODEL 991

OBERDORFER BRONZE ROTARY GEAR PUMP

EXPLODED VIEW AND PARTS LIST



MOTORS:
A5993 1/3 H.P. 115 Volt, Single Phase
A6997 1/3 H.P. 230/460 Volt, Polyphase

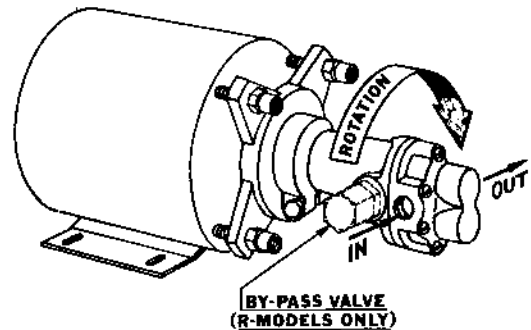
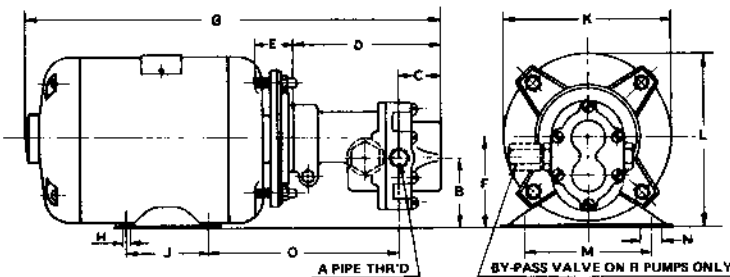
REPAIR KIT NO. INCLUDES SHADED PARTS	PUMP NO.	1 SCREW	2 BODY	3 GASKET	4 BEARINGS	5 IDLE SHAFT	6 GEAR	7 PIN	8 DRIVE SHAFT	9 COVER	10 SEAL	11 COUPLING	12 CAP SCREW
10840	991	6 Req'd	1 Req'd	1 Req'd	4 Req'd	1 Req'd	2 Req'd	1 Req'd	1 Req'd	1 Req'd	1 Req'd	1 Req'd	1 Req'd
		A5013	C5023	A5228	A5024	A5086	A5011	A5370	A5008	C6318	A6007	A5437	A5595

*AVAILABLE FROM FACTORY AS ASSEMBLIES:
No. 32149 Drive Gear & Shaft Assembly
(Includes Items 6, 7 & 8)
No. 32110 Idle Gear & Shaft Assembly
(Includes Items 5 & 6)

ORDER PUMP TO MOTOR ADAPTER KITS AS FOLLOWS:
No. 10582 Adapter Kit "M" for 48 Frame Motors
No. 10816 Adapter Kit "N" for 56 Frame Motors
Kits contain adapter, Hardware and Mounting Instruction Sheet I-29

DIMENSIONS

See letter A for pipe size
(Inlet and outlet same)
1/4" or 3/8"



PUMP NO.	A	B	C	D	E	F	G*	H	J	K*	L*	M	N	O*
991	1/4	2 9/16	1 3/8	5 3/16	1 13/32	3	14	11/32	2 3/4	5 11/16	5 3/4	4 1/4	1 1/16	6 11/16

NOTE: For 3/8 Ports order Pump No. 991-32

*Dimensions subject to variations due to differences in motor makes