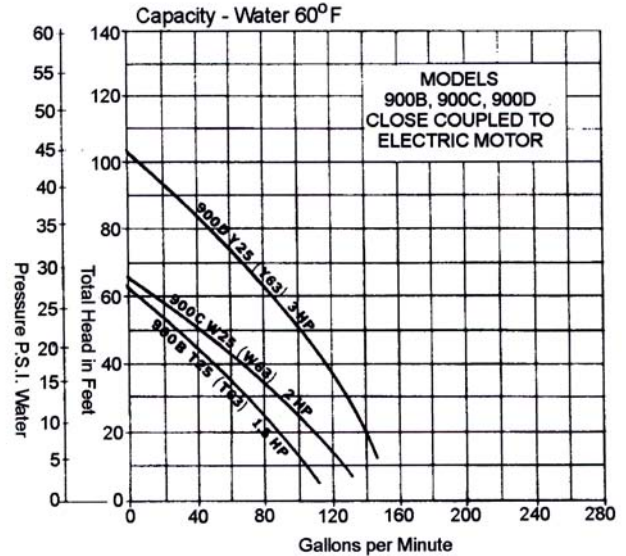


THERMOPLASTIC SELF PRIMING CENTRIFUGAL PUMPS

ELECTRIC MOTOR DRIVE
PIPE SIZE 2" INLET AND OUTLET



See model 90P, 91P, 93P for pedestal drive.
See models 900G, 910G, 930G, 940G for close coupled gas engine drive.



SUCTION LIFT AND PRIMING TIMES

2 inch suction line - 3600 R.P.M.

.....
.....

Pump No.	Electric Motor
900B-T25	1 1/2 H.P., 3450 R.P.M., 115V, Single Phase
900B-T63	1 1/2 H.P., 3450 R.P.M., 220/440V, Polyphase
900C-W25	2 H.P., 3450 R.P.M., 115V, Single Phase
900C-W63	2 H.P., 3450 R.P.M., 220/440V, Polyphase
900D-Y25	3 H.P., 3450 R.P.M., 115V, Single Phase
900D-Y63	3 H.P., 3450 R.P.M., 220/440V, Polyphase

- To specify seal made of Vitont & rubber parts of EPDM, add -12 to basic pump numbers. (Example 90P-12). Typical applications include agricultural chemicals.
- To specify rubber Volute liner, add -13 to basic pump numbers (Example 90P-13). Typical applications include dirty liquids.

APPLICATIONS

INDUSTRIAL - CHEMICAL - AGRICULTURE
MARINE - CONTRACTOR - UTILITY

- General Water Supply
- Emergency Stand-by
- Lawn Sprinkling
- Pumping from Underground Tanks
- Industrial Sump Drainage
- Recirculation of Process Liquids
- Dewatering of Ditches, Cellars, Ponds
- Washing Down Barns or Equipment
- Irrigation - Flood Furrow or Sprinkler
- Pumping Cess Pools

TEMPERATURE RANGE: -20°F to 130°F

SPECIAL MODEL DESIGNATIONS

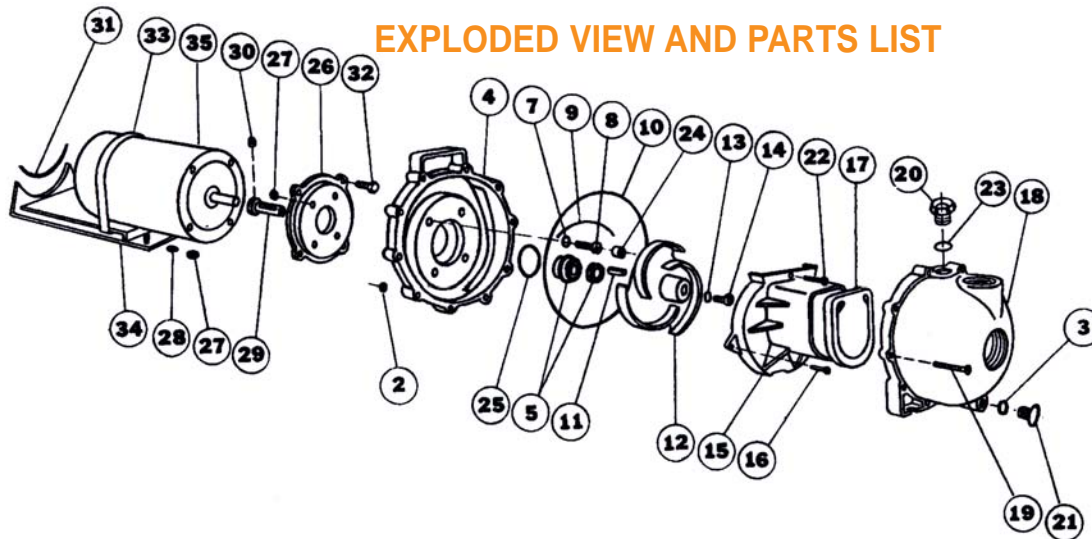
• To specify seal made of Vitont & rubber parts of Viton, add -10 to basic pump numbers. (Example 90P-10). Typical applications include solvents and chemicals.

FEATURES

- Mechanical Seals - Ceramic Wearface Mating with Lapped Carbon
- Seal Elastomer Standard is Buna - Also available in Viton and Ethylene Propylene (EPDM)
- Rubber Volute Liner available for dirty liquids
- Built-in Check Valve prevents backflow when pump is shut down
- Self Priming, quiet, efficient, long life
- Tough, Lightweight Thermoplastic Polyester Housings & Impellers for Chemical and Wear Resistance.
- Excellent corrosion resistance to water, acids, & most organic solvents - liquids normally requiring expensive pump liners or stainless steel construction

Note: Viton® is a registered trademark of DuPont Dow Elastomers.

THERMOPLASTIC SELF PRIMING CENTRIFUGAL PUMPS



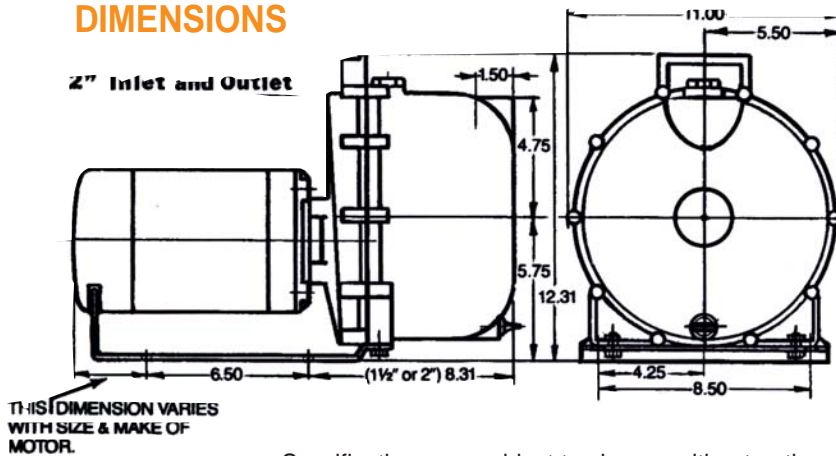
EXPLODED VIEW AND PARTS LIST

Repair Kit No.	Pump No.	2	3	4	5	7	8	9	10	11	12	13	14	15	16	17	18
		Hex Nut	O-ring	Bracket	Seal Assy.	O-Ring	Screw	O-Ring Segment	O-Ring	Key	Impeller	O-Ring	Screw	Volute	Screw	Check Valve	Body
		10 Req'd	1 Req'd	1 Req'd	1 Req'd	4 Req'd	4 Req'd	1 Req'd	1 Req'd	1 Req'd	1 Req'd	1 Req'd	1 Req'd	1 Req'd	2 Req'd	1 Req'd	1 Req'd
024-667	900B-T25	721-00	1009-71	703-30	714-11	717-71	728-10	754-71	719-71	718-00	667-30	717-71	716-10	954-30	725-10	705-71	1002-30
024-667	900B-T63	721-00	1009-71	703-30	714-11	717-71	728-10	754-71	719-71	718-00	667-30	717-71	716-10	954-30	725-10	705-71	1002-30
024-667	900C-W25	721-00	1009-71	703-30	714-11	717-71	728-10	754-71	719-71	718-00	667-30	717-71	716-10	954-30	725-10	705-71	1002-30
024-667	900C-W63	721-00	1009-71	703-30	714-11	717-71	728-10	754-71	719-71	718-00	667-30	717-71	716-10	954-30	725-10	705-71	1002-30
024-704	900D-Y25	721-00	1009-71	703-30	714-11	717-71	728-10	754-71	719-71	718-00	667-30	717-71	716-10	702-30	725-10	705-71	1002-30
024-704	900D-Y63	721-00	1009-71	703-30	714-11	717-71	728-10	754-71	719-71	718-00	667-30	717-71	716-10	702-30	725-10	705-71	1002-30

Pump No.	19	20	21	22	23	24	25	26	27	28	29	30	31	32	33	34	35
	Screw	Filler Plug	Drain Plug	Volute Screw	O-Ring	Screw Plug	O-Ring	Adapter	Hex Nut	Washer	Shaft Adapter	Set Screw	Rubber Strip	Screw	Strap	Base Plate	Motor
	10 Req'd	1 Req'd	1 Req'd	1 Req'd	1 Req'd	4 Req'd	1 Req'd	1 Req'd	6 Req'd	2 Req'd	1 Req'd	2 Req'd	1 Req'd	4 Req'd	1 Req'd	1 Req'd	1 Req'd
900B-T25	720-00	722-30	723-30	997-10	765-71	750-40	976-71	1010-20	745-00	730-00	1014-90	883-00	874-90	1015-00	934-10	867-01	7538
900B-T63	720-00	722-30	723-30	997-10	765-71	750-40	976-71	1010-20	745-00	730-00	1014-90	883-00	874-90	1015-00	934-10	867-01	7541
900C-W25	720-00	722-30	723-30	997-10	765-71	750-40	976-71	1010-20	745-00	730-00	1014-90	883-00	874-90	1015-00	934-10	867-01	7539
900C-W63	720-00	722-30	723-30	997-10	765-71	750-40	976-71	1010-20	745-00	730-00	1014-90	883-00	874-90	1015-00	934-10	867-01	7542
900D-Y25	720-00	722-30	723-30	771-10	765-71	750-40	976-71	1010-20	745-00	730-00	1014-90	883-00	874-90	1015-00	934-10	867-01	7540
900D-Y63	720-00	722-30	723-30	771-10	765-17	750-40	976-71	1010-20	745-00	730-00	1014-90	883-00	874-90	1015-00	934-10	867-01	7543

Note: Repair Kit includes: 5, 7, 9, 11, 12, 13, 14, 16, 22, 23, & 25

DIMENSIONS



Specifications are subject to change without notice.