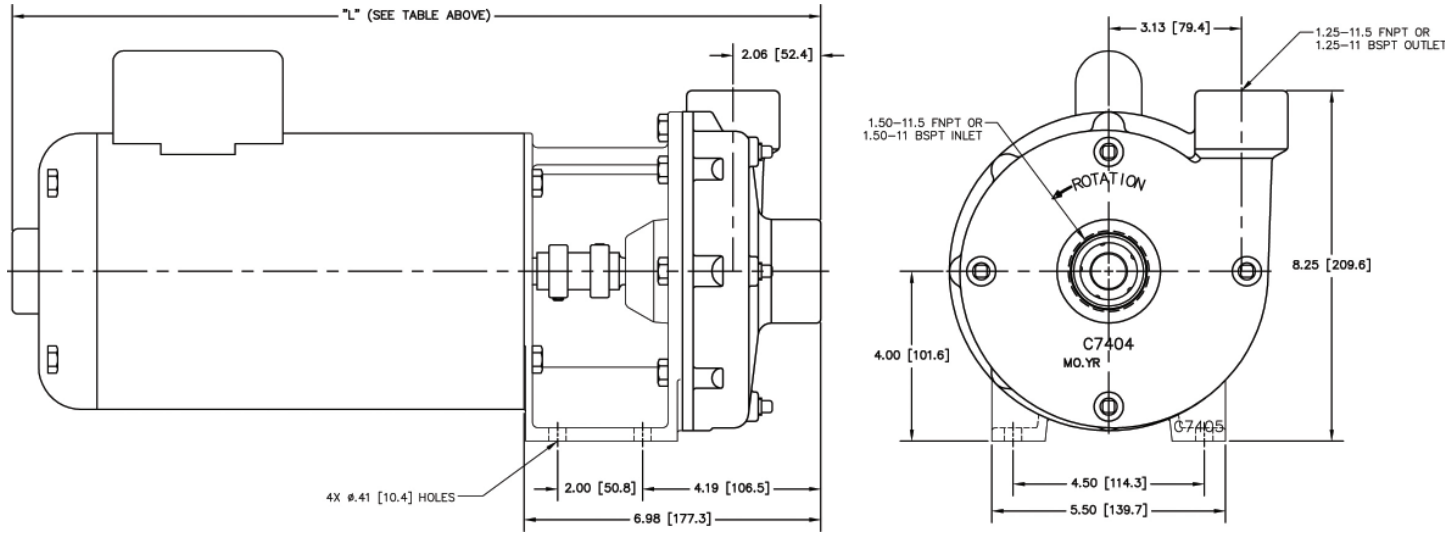


# Bronze Close Coupled Centrifugal Pumps

## Models 815B(E), 820B(E), 830B(E)

### Dimensions



### 2 Pole Face-Mount Motors

Motor Code	Part #	HP (KW)	HZ	Phase	V	ENCL	Frame	Thermal	Length* Inch (mm)
T22	8009	1.5 (1.1)	60//50	1	115/208-230 // 110/220	ODP	NEMA 56C	Auto	16.8 (426)
T25	7538	1.5 (1.1)	60	1	115/230	ODP	NEMA 56C	Auto	17.9 (455)
T60	3495	1.5 (1.1)	60//50	3	208-230/460 // 190-380	ODP	NEMA 56C	NA	16.3 (414)
T63	7541	1.5 (1.1)	60	3	208-230/460	ODP	NEMA 56C	NA	17.6 (447)
T65	8366	1.5 (1.1)	60	3	208-230/460	TEFC	NEMA 56C	NA	16.9 (429)
W34	3688	2 (1.5)	60//50	1	115/208-230 // 110/220	ODP	NEMA 56C	Auto	17.3 (439)
W25	7539	2 (1.5)	60	1	115/230	ODP	NEMA 56C	Auto	17.7 (449)
W26	8321	2 (1.5)	60	1	115/230	TEFC	NEMA 56C	Auto	17.2 (436)
W87	3689	2 (1.5)	60//50	3	208-230/460 // 190-380	ODP	NEMA 56C	NA	16.8 (427)
W63	7542	2 (1.5)	60	3	208-230/460	ODP	NEMA 56C	NA	16.1 (409)
W64	8316	2 (1.5)	60	3	208-230/460	TEFC	NEMA 56C	NA	17.8 (451)
W86	3608	2 (1.5)	60	3	208-230/460	IP54	IEC 90 B14	NA	19.1 (484)
Y25	7540	3 (2.2)	60	1	208-230	ODP	NEMA 56C	Auto	18.6 (471)
Y63	7543	3 (2.2)	60	3	208-230/460	ODP	NEMA 56C	NA	18.1 (461)
Y64	8182	3 (2.2)	60	3	208-230/460	TEFC	NEMA 56C	NA	18.6 (471)
Y70	3078	3 (2.2)	50	3	220/380/440	TEFC	NEMA 56C	NA	16.9 (429)

Contact Factory for other motor options

\* motor dimensions subject to variations among motor manufacturers

NBR = Acrylonitrile-Butadiene PTFE = Polytetrafluorethylene FKM = Fluoroelastomer



5900 Firestone Drive, Syracuse, NY 13206

Phone: (800) 448-1668; (315) 437-0361 • Fax: (315) 463-9561

Visit [www.oberdorfer-pumps.com](http://www.oberdorfer-pumps.com) to find in-depth descriptions of the world's leading high-quality, dependable pumps.

Due to ongoing product improvements, data shown here is subject to change without notice. Contact Oberdorfer Pumps for latest specifications.

830B820B830B.112014



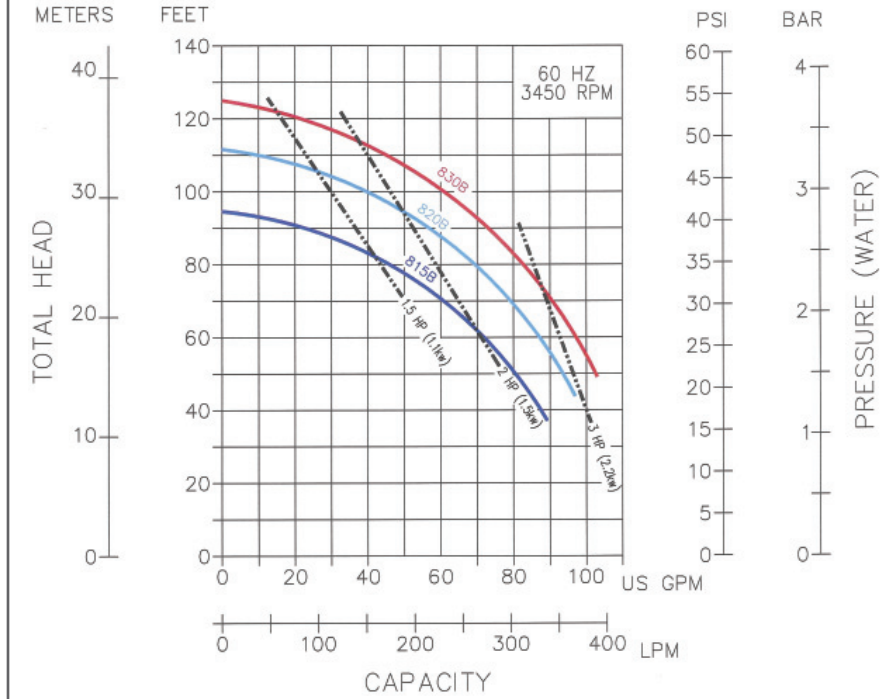
# Bronze Close Coupled Centrifugal Pumps

## Models 815B(E), 820B(E), 830B(E)

**Inlet: 1 1/2" NPT or BSPT Ports**  
**Outlet: 1 1/4" NPT or BSPT Ports**



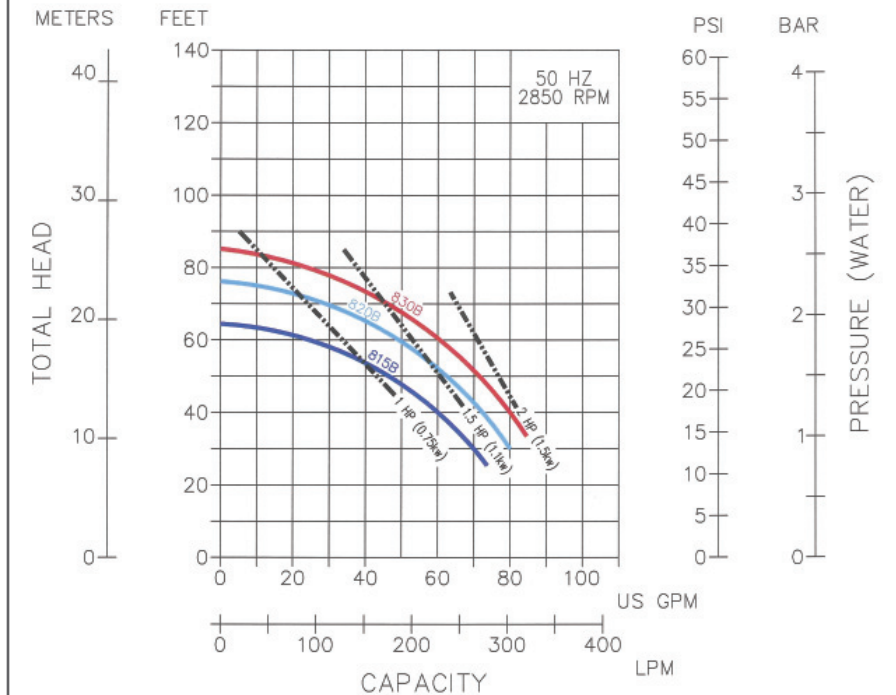
**PERFORMANCE:**  
3450 60 HZ CURVE



### FEATURES:

- Durable Cast Bronze Construction
- Rugged Integrated Mounting Base
- Corrosion Resistant Stainless Steel Shaft
- Maintenance Friendly Back Pullout Design
- Closed Vane Balanced Bronze Impeller with Wear Ring in keyed or threaded (-07) style
- Extremely Quiet Operation
- Multiple Mechanical Seal Choices to handle a wide range of clean and contaminated fluids
- Outlet and drain can be oriented to (4) different positions for installation ease.
- O Ring housing seal eliminates gaskets problems
- Pump Heads readily mount to NEMA 56C or IEC 90 B14 Face Mount motors
- Complete Pump - Motor units available.
- For SAE AA 2 Bolt Hydraulic Motor Mount – see 830B-08
- For Pedestal style models see 81PB, 82PB, 83PB

2850 50 HZ CURVE



# Bronze Bronze Close Coupled Pumps

## Models 815B(E), 820B(E), 830B(E)

### Impeller

Impeller Diameters		
Model	Inch	mm
815B (E)	5.1	12.8
820B (E)	5.5	14.0
830B (E)	5.8	14.8

### Mechanical Seals

Mechanical Seals						
Suffix	Type	Elastomer	Faces	Typical Applications	Seal Assembly	
NONE	Bellows	NBR	Carbon/Ceramic	Non-Potable Water	32346	
S10	Bellows	FKM	Carbon/Ceramic	Compatible Solvents	32360	
S11	Wedge	PTFE	Carbon/Ceramic	Compatible Chemicals	32211	

### Pump Head Numbering System

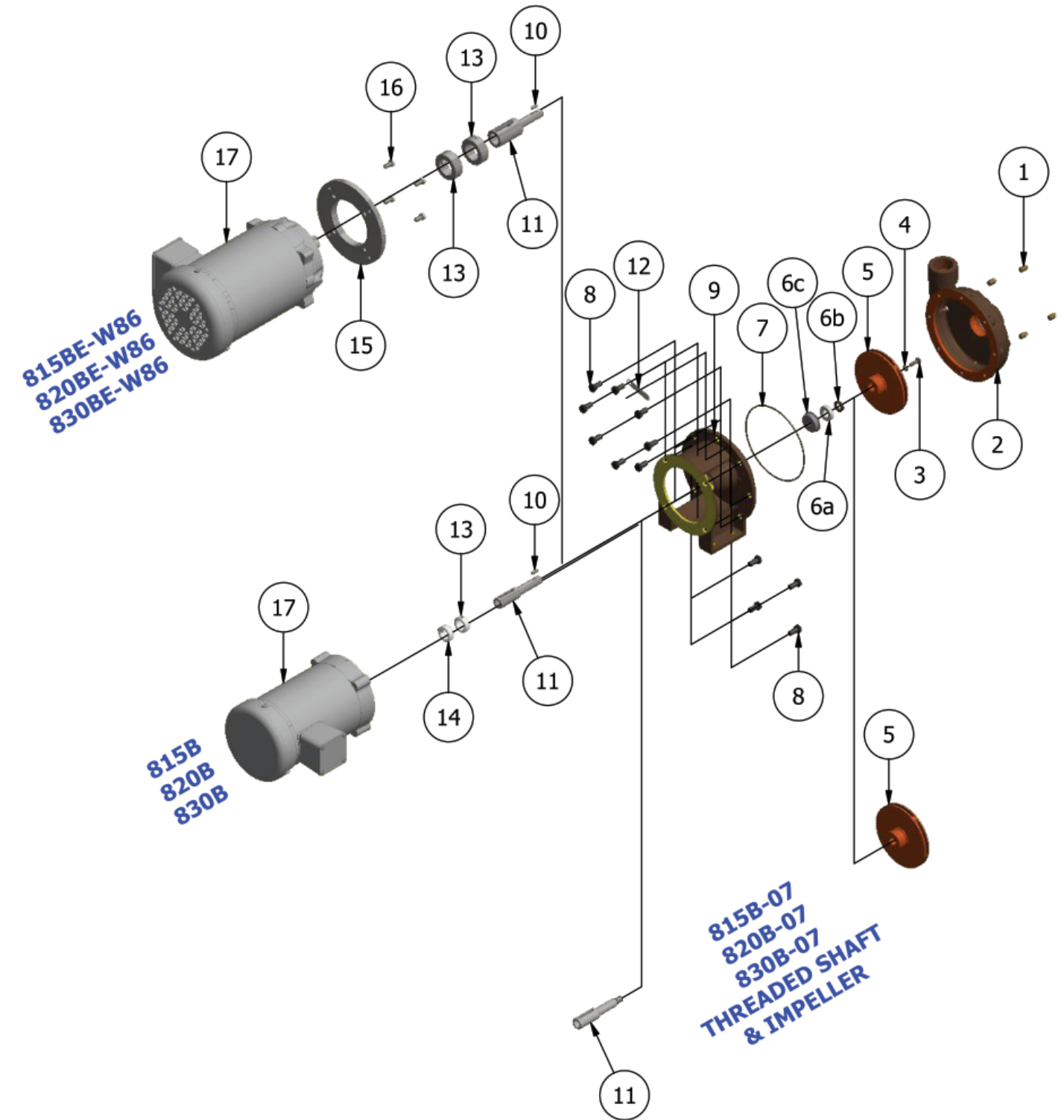
<b>820B</b>	<b>E</b>	<b>07</b>	<b>S10</b>	<b>IEC90</b>
<b>Base Pump</b>	<b>Ports</b>	<b>Impeller Style</b>	<b>Shaft Seal</b>	<b>Frame (Pump Head Only)</b>
815B	NONE   NPT	NONE   KEY	NONE   NBR	NONE   NEMA 56C
820B	E   BSPT	07   THREAD	S10   FKM	84   NEMA 184TC
830B			S11   PTFE	IEC90   IEC 90 B14

### Parts List

Model	Frame	1	2	3	4	5	6	6a	6b	6c	6a & 6b	7	8	9
		Pipe Plug	Body	Screw	Lock Washer	Impeller Assembly	Seal Assembly*	Seal Seat	Seal Wearface	Seal Head	Seat/Wearface Sub Assy	O-Ring**	Screw	Adapter
815B (E)		Qty. 4	Qty. 1	Qty. 2	Qty. 1	Qty. 1	Qty. 1	Qty. 1	Qty. 1	Qty. 1	Qty. 1	Qty. 2	Qty. 12	Qty. 2
815B (E)		5395	7585 (E)	7656	7395	32354	32346	7427	7426	2913	742601	9797-163	5411	7586-1
820B (E)		"	"	"	"	32352	"	"	"	"	"	"	"	"
830B (E)		"	"	"	"	32353	"	"	"	"	"	"	"	"
815B (E) -07		"	"	NA	NA	32002	"	"	"	"	"	"	"	"
820B (E) -07		"	"	"	"	32001	"	"	"	"	"	"	"	"
830B (E) -07		"	"	"	"	32000	"	"	"	"	"	"	"	"
	-84													
	-IEC90													

Model	Frame	10	11	12	13	14	15	16	Repair Kit
		Key	Shaft	Key	Collar	Collar	Motor Adapter	Screw	
815B (E)		Qty. 1	Qty. 1	Qty. 1	Qty. 1	Qty. 1	Qty. 1	Qty. 4	10959
815B (E)		7428	7421	6845	5886	7658	N/A	N/A	10959
820B (E)		"	"	"	"	"	"	"	10952
830B (E)		"	"	"	"	"	"	"	10953
815B (E) -07		N/A	2928	N/A	"	"	N/A	N/A	10959
820B (E) -07		"	"	"	"	"	"	"	12312
830B (E) -07		"	"	"	"	"	"	"	10953
	-84		2508	2510	2509	2509	2507	2501	
	-IEC90		3681		2509	2509	2116	2483L-016	

### Exploded View



Repair kit includes items 5, 6, 7.

\* for FKM and PTFE seal options - see Seal Table above

Item numbers 6a, 6b & 6c (Seal Parts) are sold only as Seal Assembly (Item 6.)

\*\* Legacy version product used Gasket P/N 7425 until 2007.