

# BRONZE CENTRIFUGAL PUMPS

**PIPE SIZE: INLET 3/4", OUTLET 1/2"**



## FEATURES

- Rugged Bronze Construction
- Quiet Operation
- O-Ring Housing seal eliminates gasket problems
- Mechanical Seal - Carbon/Ceramic
  - Buna - standard
  - Viton (S10) or Teflon (S11) - options
- Designed for Pulley Drive
- Heavy Duty Integral Steel Shaft and Ball Bearings
- Handles Contaminated Liquids
- No bearing lubrication required
- For Close Coupled Style, see Model 600

## USES

Silent, efficient, centrifugal pumping is ideal for convenient equipment location in offices, laboratories, public areas, and living quarters. Long trouble-free service life has made centrifugal pumps acceptable for industrial uses or wherever clean or contaminated liquid compatible with bronze is to be transferred or handled.

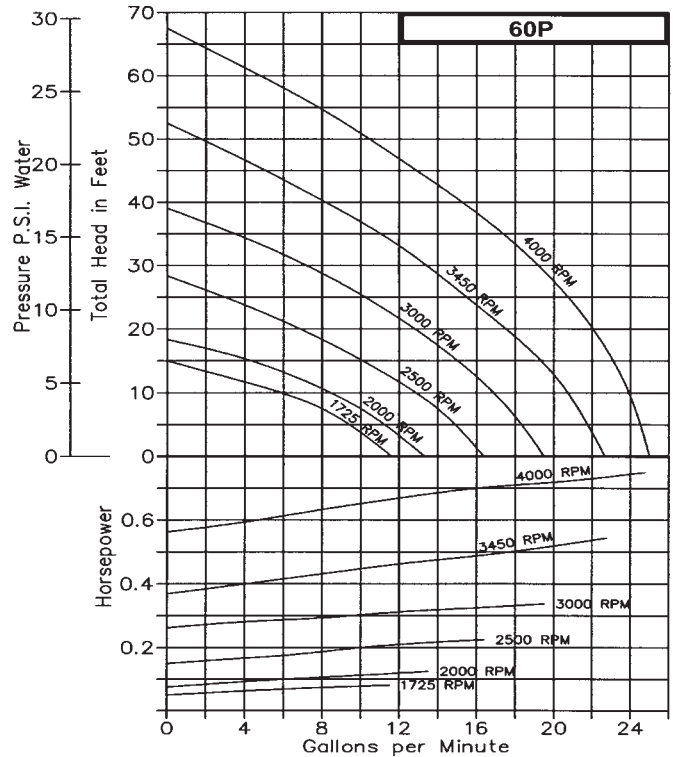
The 60P centrifugal pump has an external ball bearing isolated from the liquid being pumped. The ball bearing is greased and sealed for life, requiring no maintenance.

## CHARACTERISTICS

Oberdorfer centrifugal pumps have a single rotating metal impeller. Liquid enters at the center and is thrown outward radially by centrifugal force. The impeller is not in contact with other pump parts resulting in quiet, efficient, pumping action. The flow produced is not positive which permits the discharge line to be shut off completely without danger of overloading motors or bursting lines. Consequently a relief valve is not required.

The liquid flow is proportional to the pump speed--the higher the speed the greater the flow. Horsepower required varies directly as flow and pressure. Maximum horsepower is required with a wide open discharge line. This is the point of maximum flow. With a throttled discharge, the flow decreases

Capacity - Water at 70° F



at a greater rate than the pressure increases thereby requiring less horsepower at the higher pressures. This is known as an "unloading" feature of the pump.

This centrifugal pump is not self priming. Normally these pumps must be installed below the liquid level so that the liquid flows to the pump by gravity. However, if a foot valve is used at the beginning of the suction line and all air is bled from the suction line and pump by careful manual priming, these pumps will lift liquid on the suction side up to 15 ft. Such a system is only as positive as the ability of the foot valve to seal and keep the suction line and pump full of liquid. If the foot valve should leak, the pump will not prime.

The pedestal centrifugal pumps can be direct driven by electric motors at either 3450 R.P.M. or 1725 R.P.M. Performance for both speeds are shown in the curves above. The 60P pedestal centrifugal pump can be pulley driven at any desired intermediate speed.

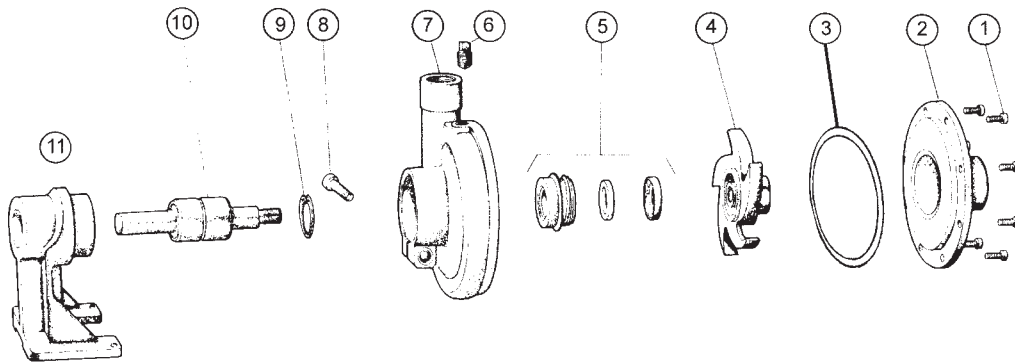
Because centrifugal pumps are more efficient at higher shaft speeds, pumping of viscous or thick liquids is difficult. It is possible to lose as much as 40% pump performance when attempting to pump liquids of viscosity equal to S.A.E. 30 oil at room temperature. S.A.E. 30 oil at room temperature has a viscosity of 2000 Saybolt Seconds Universal. More viscous liquids are not recommended for centrifugal pumps.

Heavy liquids can be pumped; however, they demand more horsepower in direct ratio to the weight of water. For example, carbon tetrachloride has a specific gravity of 1.6 which means it is 1.6 times heavier than water and the horsepower required is 1.6 times water horsepower.

(continued on back)

# BRONZE CENTRIFUGAL PUMPS

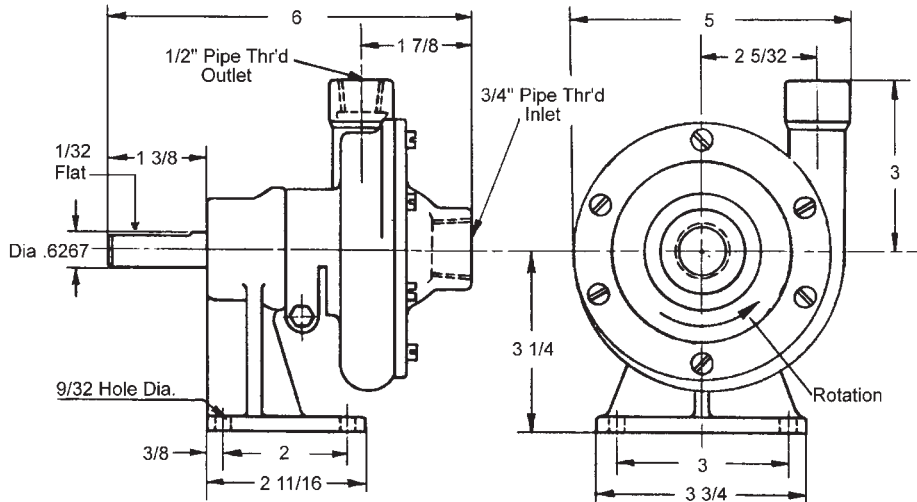
## EXPLODED VIEW AND PARTS LIST



Pump No.	1	2	3 <sup>1</sup>	4 <sup>1</sup>	5 <sup>1</sup>	6	7	8	9	10 <sup>1</sup>	11	Repair Kit
	Screw	Cover	O-Ring	Impeller	Seal Assy.	Plug	Body	Screw	Ret. Ring	Shaft & Bearing	Pedestal	
	8 Req'd	1 Req'd	1 Req'd	1 Req'd	1 Req'd	2 Req'd	1 Req'd	1 Req'd	1 Req'd	1 Req'd	1 Req'd	
60P	5385	5168	9797-042	5219	32154	6052	7515	5595	5741	5348	5215	10692

<sup>1</sup> Items 3, 4, 5, & 10 are included in Repair Kit.

## DIMENSIONS



(continued from front)

### LIQUIDS AND TEMPERATURES

Bronze pumps are suitable for most common liquids in the PH-range from 4 to 11.

The temperature limit for bronze pumps is 212°F, higher temperatures are possible with Viton® or Chemlon seals. If in doubt, consult with factory.

### SHAFT SEAL OPTIONS

Mechanical Shaft Seals have Buna rubber components (212°F max) as standard. For temperatures up to 400°F a Viton® seal must be selected by adding code S10 to the pump number. To handle strong solvents and chemicals (compatible with bronze), a Chemlon seal (500°F max) must be specified by adding code S11 to the pump number.

In most instances, Viton® and Chemlon seals are not field interchangeable with the standard Buna seals. Call factory for details.