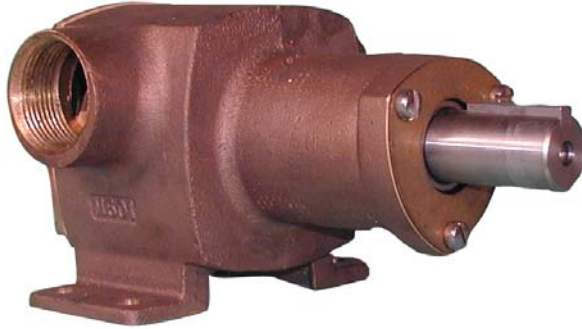


BRONZE RUBBER IMPELLER PUMP

MODEL
501M
501E



PIPE SIZE 1 1/4



FEATURES

- Bronze Construction - Corrosion Resistance
- Machined-in caam for reduced impeller wear
- Teflon Barrier Seals Protecting Ball Bearings
- Mechanical Carbon Ring, Ceramic Face Main Pump Seal
- Two Sealed Ball Bearings Spaced for Maximum Load Ability
- Large Vent & Drain Openings Separate Seal & Bearing Areas
- Shaft Slinger for Additional Bearing Protection
- Neoprene (05) or Buna (06) impellers
- Stainless Steel Shaft
- O-Ring Seal Between Body and Cover
- Impeller easily replaced
- Option: Flanged Engine mount SAE 'B' available

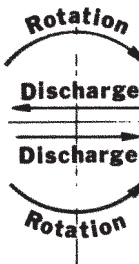
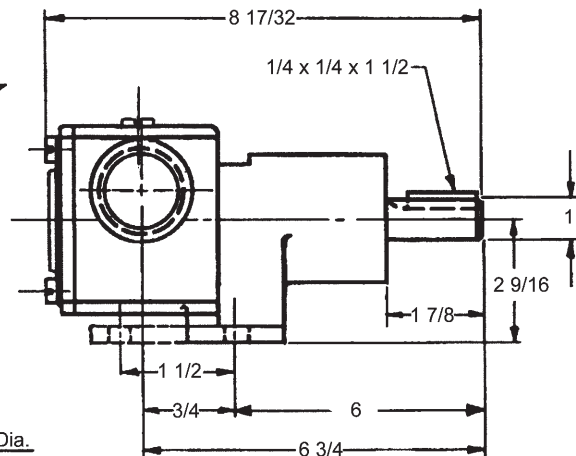
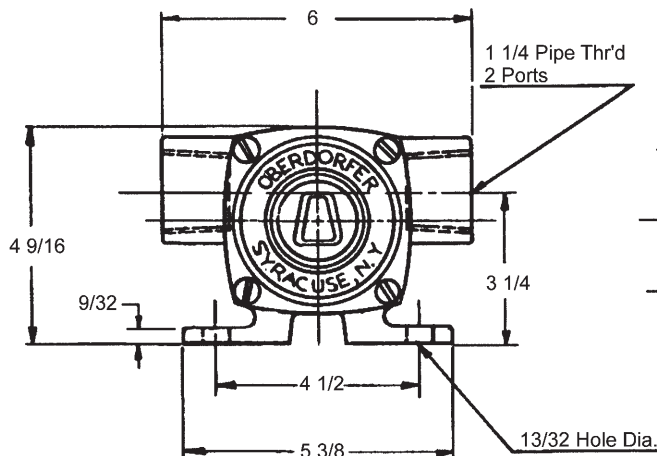
ROTATION

Direction of shaft rotation determines inlet and outlet ports (see line drawing)

MOUNTING

Pump will operate satisfactorily when mounted in any position. **DO NOT RUN DRY.** Rubber impellers generate high rubbing friction unless lubricated by liquid pumped. Lack of liquid will cause impeller to burn up.

DIMENSIONS



PERFORMANCE

Capacity Water at 60° F

| Speed RPM | Feet Hd. PSI | 0 | 20 | 40 | 60 | 80 |
|--------------|-----------------|-------|-------|-------|-------|-------|
| | | 0 | 8.7 | 17.3 | 26 | 34.6 |
| 800 | GPM | 28 | 26 | 22 | 16 | 10 |
| | HP | 3/4 | 3/4 | 3/4 | 1 | 1 |
| 1150 | GPM | 38 | 36 | 30 | 25 | 13 |
| | HP | 3/4 | 3/4 | 3/4 | 1 1/2 | 1 1/2 |
| 1750 | GPM | 58 | 55 | 49 | 41 | 32 |
| | HP | 1 1/2 | 1 1/2 | 1 1/2 | 2 | 3 |
| 2400 | GPM | | | 60 | 52 | 44 |
| | HP | | | 2.5 | 2.8 | 3.2 |
| 3000 | GPM | | | 58 | 57 | 56 |
| | HP | | | 3.5 | 3.9 | 4.2 |

DRIVE

Either direct drive with flexible coupling or pulley drive can be used. Make sure both flexible coupling halves are properly aligned. When using pulley, do not overtighten belt.

LIQUIDS AND TEMPERATURE

Liquids compatible with neoprene (05) can be pumped including fresh and salt water solutions and mild chemicals. Do not pump severe solvents or acids. Buna (06) impellers can handle oil contaminated water. When possible, flush pump with fresh water after each usage.

Extremes of cold and heat will affect impeller life. Limits of 40° to 140° F should be observed. Do not allow liquid in pump to freeze. Drain pump by loosening cover screws. Use methyl alcohol based anti-freeze compounds such as Zerex, Shell Zone, Pyro Permanent, Permagard, Dowgard.

SUCTION LIFT

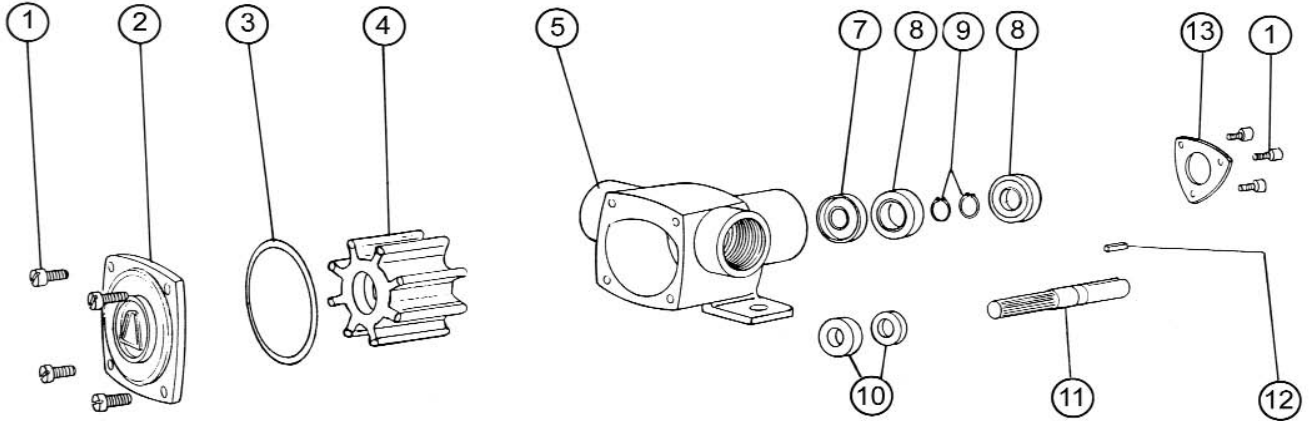
Suction lift of 15 feet is possible when impeller is wet. Suction line must be air tight in order for pump to self prime. A foot valve at beginning of suction line is recommended.

MODEL
501M
501E

BRONZE RUBBER IMPELLER PUMP

OBERDORFER PUMPS
A Subsidiary of Thomas Industries Inc.

EXPLODED VIEW AND PARTS LIST

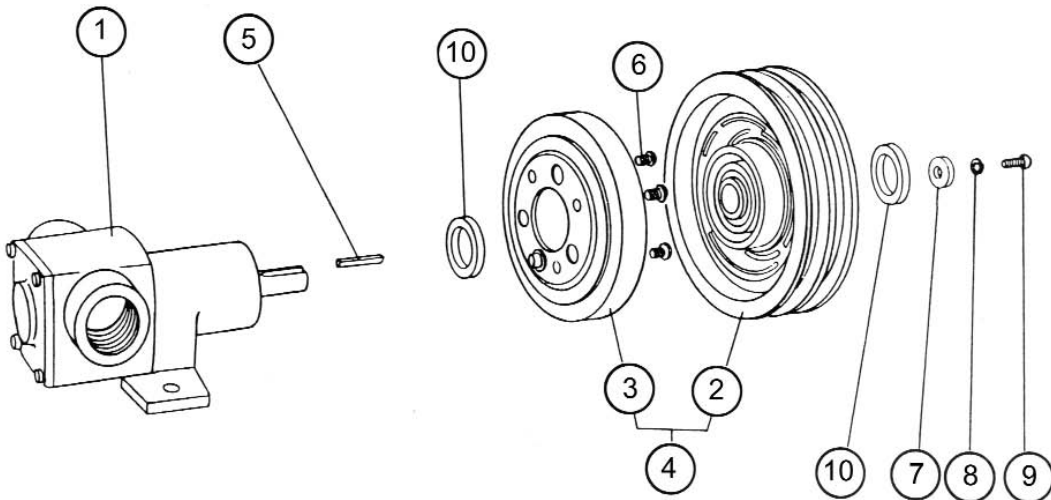


| Pump No. | 1 | 2 | 3 | 4 | 5 | 6 | 7 ¹ | 8 | 9 | 10 | 11 | 12 | 13 |
|----------|--------|--------|--------|----------|--------|-----------|----------------|--------------|-----------|------------|--------|--------|-----------|
| | Screw | Cover | O-Ring | Impeller | Body | Set Screw | Lip Seal | Ball Bearing | Ret. Ring | Seal Assy. | Shaft | Key | End Plate |
| | 7 Reqd | 1 Reqd | 1 Reqd | 1 Reqd | 1 Reqd | 1 Reqd | 1 Reqd | 2 Reqd | 2 Reqd | 1 Reqd | 1 Reqd | 1 Reqd | 1 Reqd |
| 501M-05 | 5504 | 6717 | 8232 | 7054 | 9932 | 6436 | 6710 | 6332 | 6559 | 32953 | 9930 | 6342 | 6713 |
| 501M-06 | 5504 | 6717 | 8232 | 7593 | 9932 | 6436 | 6710 | 6332 | 6559 | 32953 | 9930 | 6342 | 6713 |

Repair Kit for 501M-05 is 10706. It contains items 3, 4 & 14.

¹ Item 7 is not shown.

Repair Kit for 501M-06 is 11672. It contains items 3, 4 & 14.



| Pump No. | 1** | 2 | 3 | 4* | 5 | 6 | 7 | 8 | 9 | 10 | Clutch Kit # |
|-----------|---------|-------------|--------|-------------|--------|--------|--------|-------------|--------|--------|--------------|
| | Pump | Clutch Body | Coil | Clutch Assy | Key | Screw | Washer | Lock Washer | Screw | Spacer | |
| | 1 Reqd | 1 Reqd | 1 Reqd | 1 Reqd | 1 Reqd | 3 Reqd | 1 Reqd | 1 Reqd | 1 Reqd | 2 Reqd | |
| 501-05E12 | 501M-05 | 7227 | 7224 | 32238 | 6711 | 6437 | 6663 | 5016 | 7735 | 9946 | 10717 |
| 501-05E24 | 501M-05 | 7227 | 9902 | 33066 | 6711 | 6437 | 6663 | 5016 | 7735 | 9946 | 10853 |
| 501-05E32 | 501M-05 | 7227 | 7225 | 32239 | 6711 | 6437 | 6663 | 5016 | 7735 | 9946 | 10856 |
| 501-06E12 | 501M-06 | 7227 | 7224 | 32238 | 6711 | 6437 | 6663 | 5016 | 7735 | 6715 | 10717 |
| 501-06E32 | 501M-06 | 7227 | 7225 | 32239 | 6711 | 6437 | 6663 | 5016 | 7735 | 6715 | 10856 |

* Item 4 Clutch Assy. Is items 2 & 3 combined.

** Item 1 is pump listed above with (3) 5504 screws removed.

E 12 models are 12 Volt D.C., E 32 models are for 32 Volt D.C.

Clutch Kits contain items 2, 3, 5, 6, 7, 8, 9 & 10.

12/03