



OBERDORFER PUMPS

A Gardner Denver Product

Bronze Close Coupled Centrifugal Pump

Model 500

Pipe Size 3/8"



FEATURES:

- All Bronze Pump Castings
- Stainless Steel Motor Shaft
- Mechanical Seal
- Extremely Quiet
- Will handle difficult solvents with proper seals: Viton® (S10)
- Long Life
- Do Not Require Relief Valves
- Will Handle Contaminated Liquids

LIQUIDS:

The special pump alloys used provide corrosion resistance to many liquids including water, water solutions, and a wide range of commercial chemicals. Questions as to the chemical compatibility of special liquids should be referred to the factory.

Viscous liquids with a maximum viscosity of 2000 Saybolt Seconds Universal can be pumped. However, when pumping viscous liquids as compared with water, a reduction inflow and pressure occurs and the required horsepower rate increases.

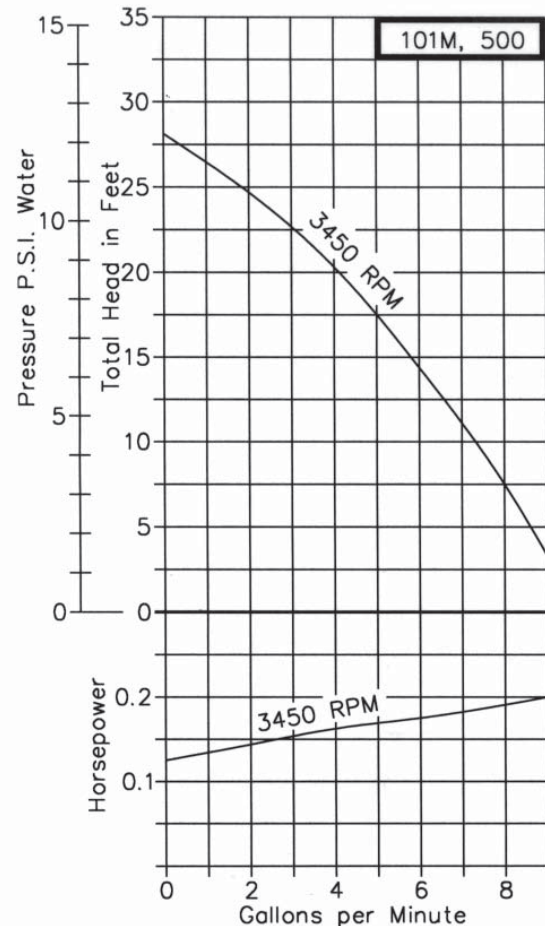
Liquids heavier than water require additional horsepower in direct proportion to the increase in specific gravity. Liquids contaminated with small solids or abrasives can be handled, but a reduction in mechanical seal life must be expected.

CHARACTERISTICS:

This close coupled pump uses a standard NEMA C-Flange Jet Pump Motor with weld-on base and threaded shaft end to accept the pump impeller. Single phase motors are non-reversible and are wired for the proper pump rotation which is counter-clockwise looking at the inlet end of the pump. Three phase motors must be checked out for proper rotation when pump is installed.

PERFORMANCE:

CAPACITY WATER AT 60°F



Interchanging of any 2 wires in a 3-phase system will reverse motor rotation.

The pump uses a mechanical type shaft seal with a Buna rubber element. It is suitable for water, oils, and some mild solvents. It is limited to 212° F. Viton® seals are available for severe solvents, difficult chemicals, and elevated temperatures.

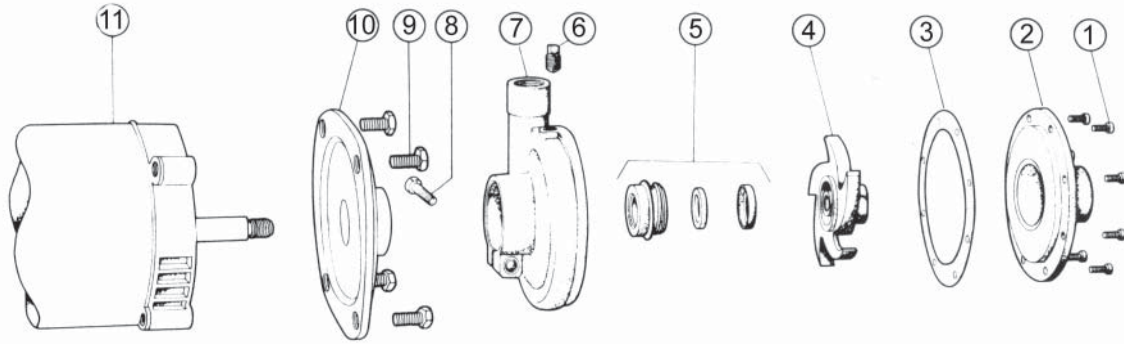
These centrifugal pumps are not self-priming. They must be installed below the liquid level so that the liquid flows to the pump by gravity (flooded suction). However, if a foot valve is used at the beginning of the suction line and all air is bled from the pump by manual priming, the pump will lift on the suction side up to 15 feet. Such a system relies entirely on a non-leaking foot valve for starting capability.

The flow of a centrifugal pump can be conveniently controlled by a throttling valve in the discharge line without the need for a relief valve. In centrifugal pumps, the horsepower demand will decrease as the pressure increases. Maximum horsepower occurs with a wide open discharge.

Bronze Close Coupled Centrifugal Pump

Model 500

Exploded View and Parts List



	1	2	3*	4*	5*	6	7	8	9	10	11	12**	Repair Kit
	Screw	Cover	Gasket	Impeller	Seal Assy	Plug	Body	Screw	Screw	Adapter	Motor	Screw Set	
Model	Qty. 6	Qty. 1	Qty. 1	Qty. 1	Qty. 1	Qty. 1	Qty. 1	Qty. 1	Qty. 4	Qty. 1	Qty. 1	Qty. 1	
500	5385	6483	6502	6476	32154	6052	6475	5595	5411	7611	---	---	10694 (Single Phase)
500P	5385	6483	6502	7351	32154	6052	6475	5595	5411	7611	---	9849	11062 (Three Phase)

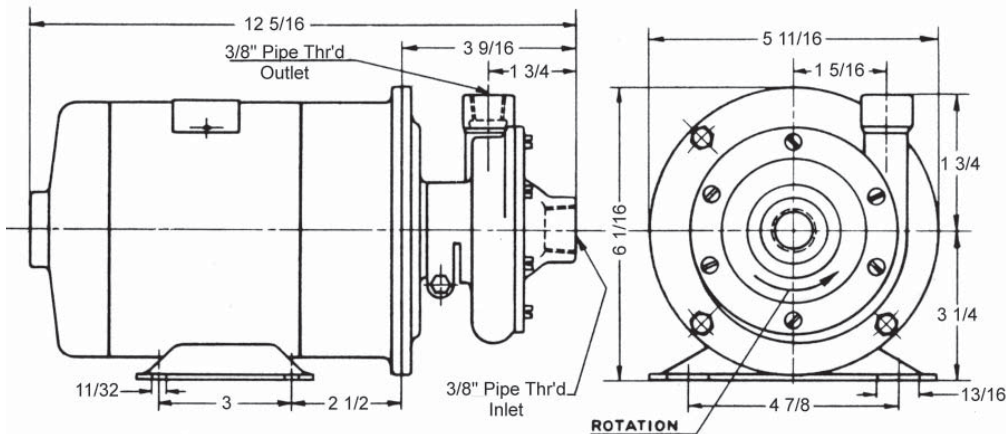
* Repair kit contains items 3, 4, 5, 12. ** Parts not shown

PUMP & MOTOR OPTIONS

These are the most frequently used pump and motor combinations. If you have other needs, our sales reps can recommend a pump and motor for your application.

Pump No.	Electric Motor	Motor Shaft	Part No.
500-F13	3450 RPM, 1/3 HP, Single, 115 V, ODP	Stainless Steel	5859
500-F20	3450 RPM, 1/3 HP, Single, 115/230 V, TEFC	Stainless Steel	7986
500-F21	3450 RPM, 1/3 HP, Single, 115/230 V, XP	Stainless Steel	8214
500-J19	3450 RPM, 1/2 HP, Single, 115/230 V, ODP	Stainless Steel	5860
500-J20	3450 RPM, 1/2 HP, Single, 115/230 V, TEFC	Stainless Steel	7976
500-F57	3450 RPM, 1/3 HP, Three, 220/440 V, ODP	Stainless Steel	6996
500-F68	2850 RPM, 1/3 HP, Three, 220/380 V, TEFC	Stainless Steel	8654
500-J58	3450 RPM, 1/2 HP, Three, 220/440 V, TEFC	Stainless Steel	9214

Dimensions



Numbering

500
 |
 Basic Pump
 No. first
 3 digits

P
 |
 The letter P
 for ployphase
 (3 phase motor
 version)

-F65
 |
 Motor Code
 No. last
 3 digits

VITON® is a trademark of DuPont Dow. VITON® or equivalent FKM may be used.



OBARDORFER PUMPS

A Gardner Denver Product

5900 Firestone Drive, Syracuse, NY 13206

Phone: (800) 448-1668; (315) 437-0361 • Fax: (315) 463-9561

Visit www.oberdorfer-pumps.com to find in-depth descriptions of the world's leading high-quality, dependable pumps.

Due to ongoing product improvements, data shown here is subject to change without notice. Contact Oberdorfer Pumps for latest specifications.

500.022412