

BRONZE PEDESTAL CENTRIFUGAL PUMP

MODEL 119MP



OBERDORFER PUMPS
A Subsidiary of Thomas Industries Inc.

PIPE SIZE: INLET 1 1/4", OUTLET 1"



FEATURES

- All Bronze Construction
- Heavy Duty Ball Bearings
- Designed for Pulley Drive
- Mechanical Seal
- Quiet Operation
- Handles Contaminated Liquids
- No Lubrication Required
- Available with Monel Shaft (119MP-01)
- Ideal for Marine Applications

USES

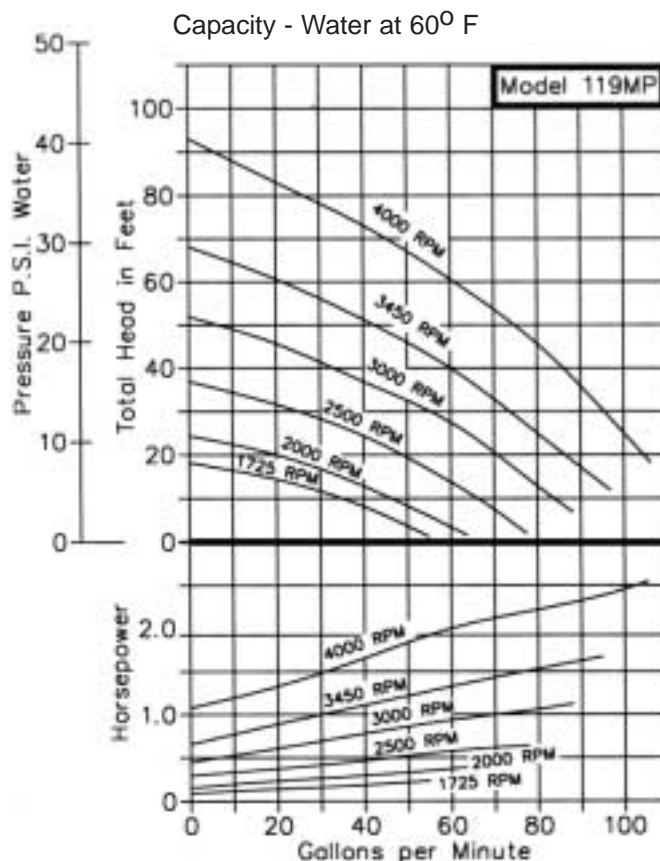
Silent, efficient, centrifugal pumping is ideal for convenient equipment location in offices, laboratories, public areas, and living quarters. Long trouble-free service life has made centrifugal pumps acceptable for industrial uses or wherever clean or contaminated liquid is to be transferred or handled.

The 119MP centrifugal pumps have external ball bearings isolated from the liquid being pumped. The ball bearings are grease sealed for life requiring no maintenance.

CHARACTERISTICS

Oberdorfer centrifugal pumps have a single rotating metal impeller. Liquid enters at the center and is thrown outward radially by centrifugal force. The impeller is not in contact with other pump parts resulting in quiet, efficient, pumping action. The flow produced is not positive which permits the discharge line to be shut off completely without danger of overloading motors or bursting lines. Consequently a relief valve is not required.

The liquid flow varies directly as the pump speed--the higher the speed the greater the flow. Horsepower required varies directly as flow and pressure. Maximum horsepower is required with a wide open discharge line. This is the point of maximum flow. With a throttled discharge, the flow decreased at a greater rate than the pressure increases thereby requiring less horsepower at the higher pressures. This is known



as an "unloading" feature of the pump.

This centrifugal pump is not self priming. Normally these pumps must be installed below the liquid level so that the liquid flows to the pump by gravity. However, if a foot valve is used at the beginning of the suction line and all air is bled from the suction line and pump by careful manual priming, these pumps will lift liquid on the suction side up to 15 ft. Such a system is only as positive as the ability of the foot valve to seal and keep the suction line and pump full of liquid. If the foot valve should leak, the pump will not prime.

The pedestal centrifugal pumps can be direct driven by electric motors at either 3450 R.P.M. or 1725 R.P.M. Performance for both speeds is listed in the capacity chart above. The 119MP pedestal centrifugal pumps can be pulley driven at any desired intermediate speed.

Because centrifugal pumps are more efficient at higher shaft speeds, pumping of viscous or thick liquids is difficult. It is possible to lose as much as 40% pump performance when attempting to pump liquids of viscosity equal to S.A.E. 30 oil at room temperature. S.A.E. 30 oil at room temperature has a viscosity of 2000 Saybolt Seconds Universal. More viscous liquids are not recommended for centrifugal pumps.

Heavy liquids can be pumped; however, they demand more horsepower in direct ratio to the weight of water. For example, car-

(continued on back)

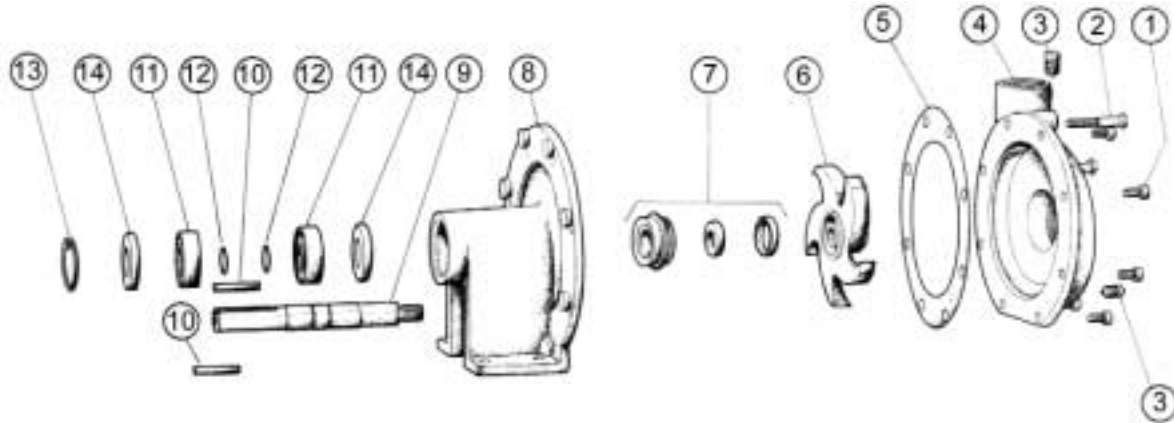
Viton® is a registered trademark of DuPont Dow Elastomers. Viton® or equivalent FKM will be used.

**MODEL
119MP**

**BRONZE PEDESTAL
CENTRIFUGAL PUMP**



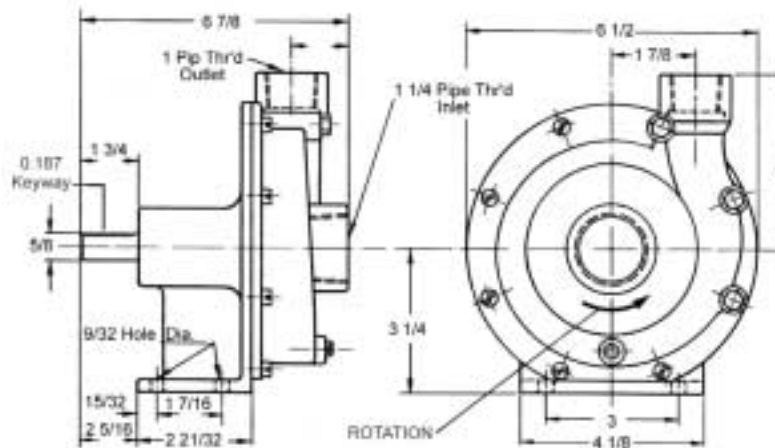
EXPLODED VIEW AND PARTS LIST



| Pump No. | 1 | 2 | 3 | 4 | 5 ¹ | 6 ¹ | 7 ¹ | 8 | 9 ¹ | 10 | 11 ¹ | 12 ¹ | 13 | 14 ¹ | Repair Kit |
|----------|---------|---------|---------|---------|----------------|----------------|----------------|----------|----------------|---------|-----------------|-----------------|-----------|-----------------|------------|
| | Screw | Screw | Plug | Body | Gasket | Impeller | Seal Assembly | Pedestal | Shaft | Key | Ball Bearing | Ret. Ring | Ret. Ring | Lip Seal | |
| | 5 Req'd | 3 Req'd | 2 Req'd | 1 Req'd | 1 Req'd | 1 Req'd | 1 Req'd | 1 Req'd | 1 Req'd | 1 Req'd | 2 Req'd | 2 Req'd | 1 Req'd | 2 Req'd | |
| 119MP | 5504 | 5633 | 5395 | 5266 | 5307 | 6179 | 32155 | 6887 | 7037 | 6567 | 5928 | 5926 | 5925 | 6609 | 10901 |
| 119MP-01 | 5504 | 5633 | 5395 | 5266 | 5307 | 6179 | 32155 | 6887 | 6890 | 6567 | 5928 | 5926 | 5925 | 6609 | 10917 |

¹ Repair Kit contains items 5, 6, 7, 9, 11, 12 & 14.

DIMENSIONS



(continued)

bron tetrachloride has a specific gravity of 1.6 which means it is 1.6 times heavier than water and the horsepower required is 1.6 times water horsepower.

LIQUIDS AND TEMPERATURES

Bronze pumps are suitable for most common liquids in the PH-range from 4 to 11.

The temperature limit for bronze pumps is 212°F, higher temperatures are possible with Viton® seals. If in doubt, consult factory.

SHAFT SEAL OPTIONS

Mechanical Shaft Seals have Buna N rubber components (212°F max) as standard. For temperatures up to 400°F, a Viton® seal must be selected by adding code S10 to the pump number.

3/2002

Specifications are subject to change without notice.