

HIGH HEAD CENTRIFUGAL PUMP FEATURES

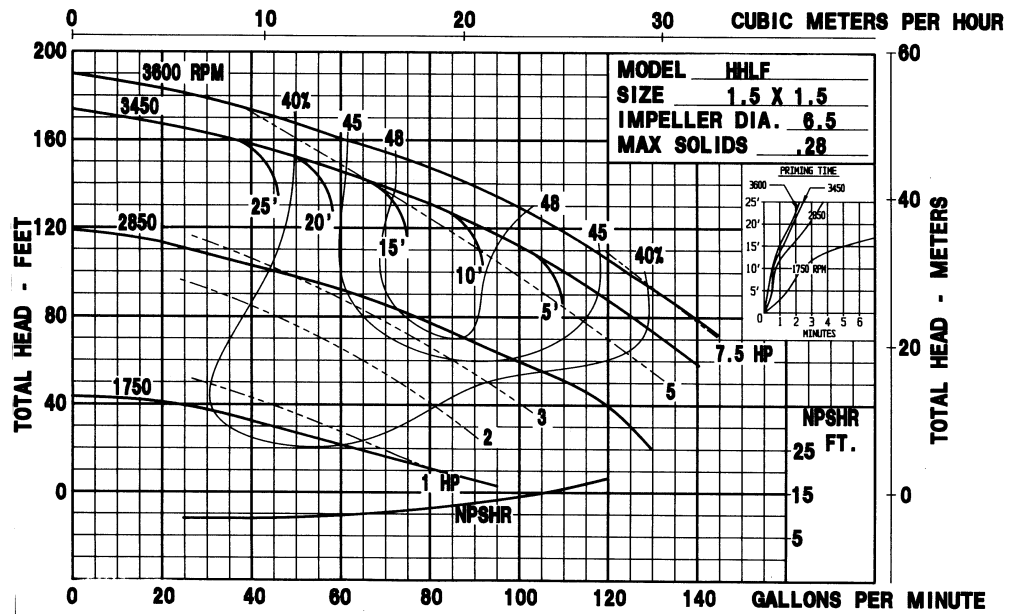
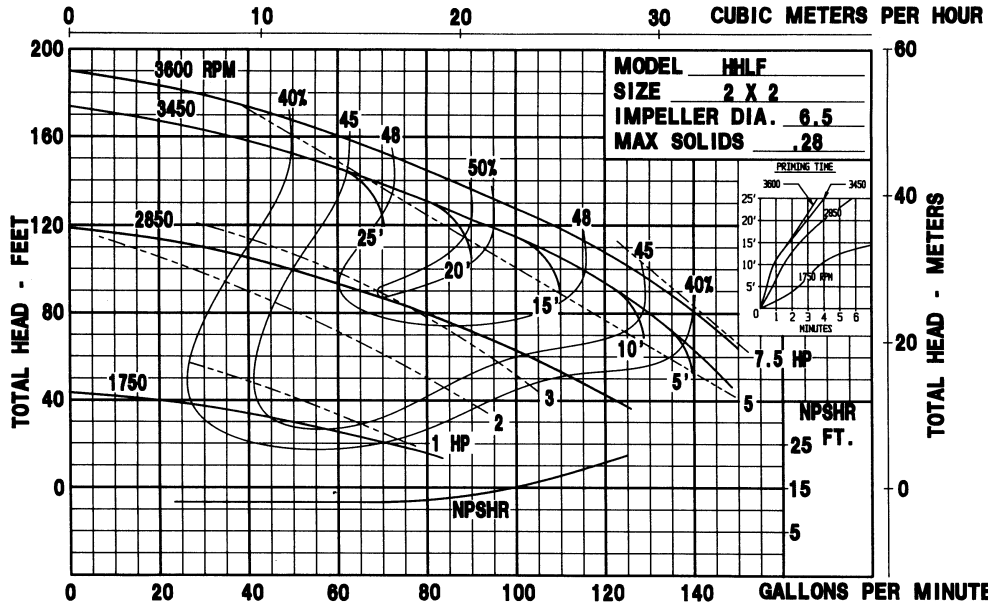
- 1 1/2 x 1 1/2
2 X 2 HIGH HEAD PUMPAK
- "C" FACE ELECTRIC MOTOR DRIVE 5-7.5 HP
- PEDESTAL DRIVE
- FLOWS - TO 140 GPM
- PRESSURES - TO 190 TDH
- CAST IRON OR BRONZE CONSTRUCTION
- DRIVE SLEEVE - 304 STAINLESS STEEL
- FASTENERS - STAINLESS STEEL
- SEALS - STANDARD CARBON, CERAMIC, STAINLESS STEEL AND VITON WITH OTHER OPTIONS AVAILABLE (CONSULT FACTORY)



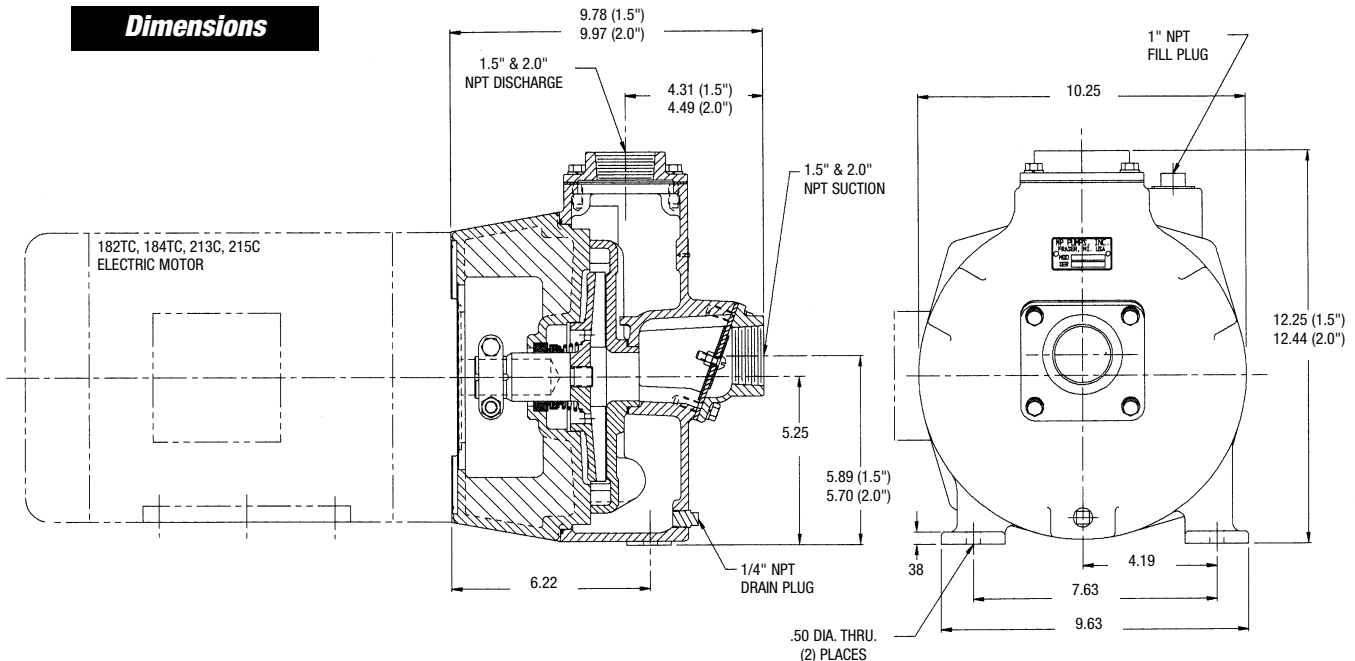
HHLF

MODEL	Suction	Discharge
HHLF	1 1/2"-2" NPT	1 1/2"-2" NPT

Pump Performance Curves



Dimensions



Other Performance Curves Available Upon Request